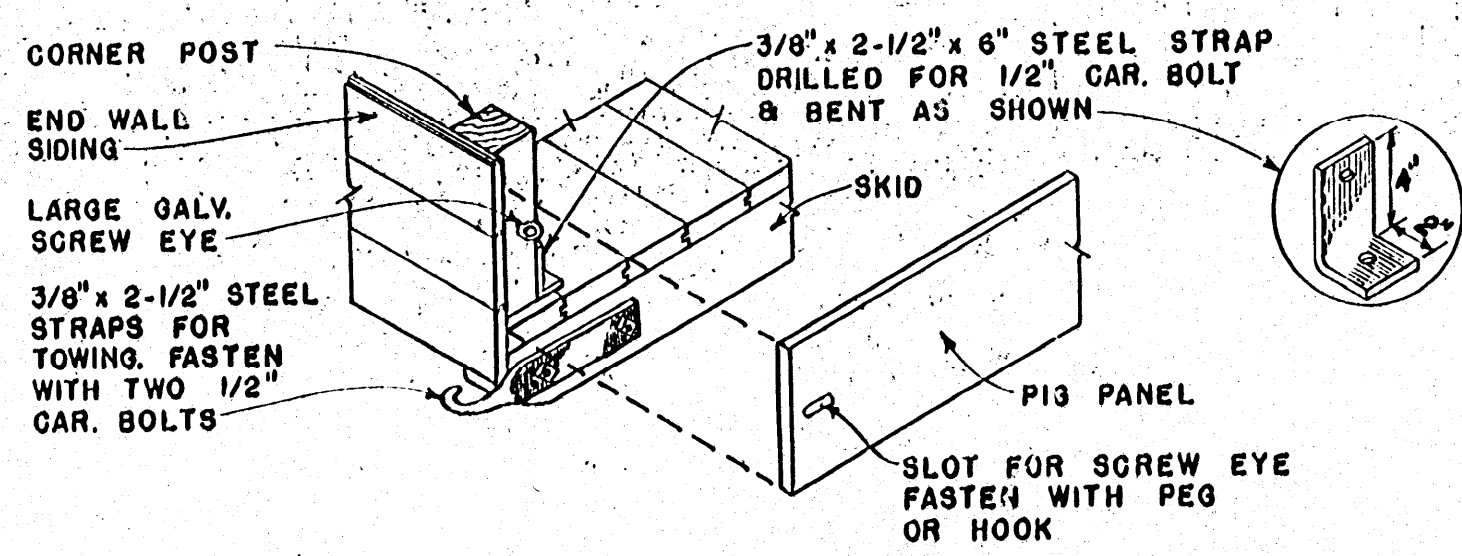
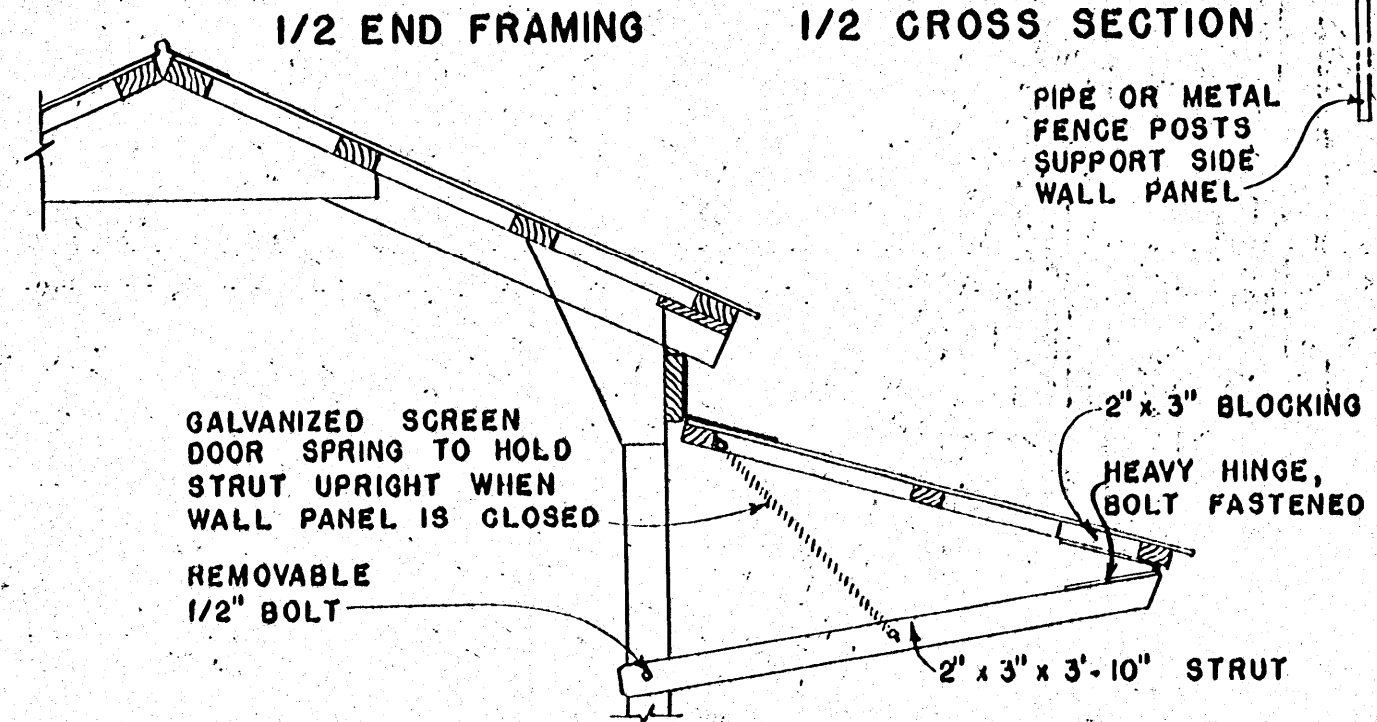
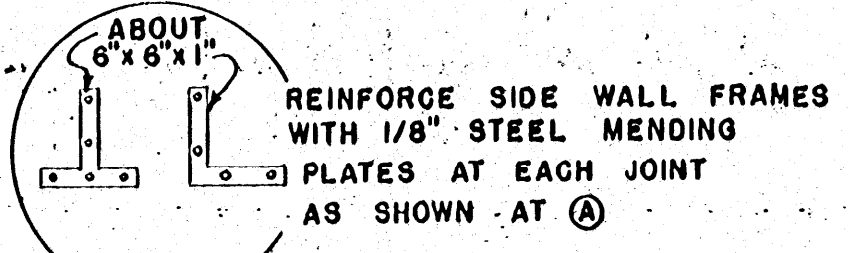
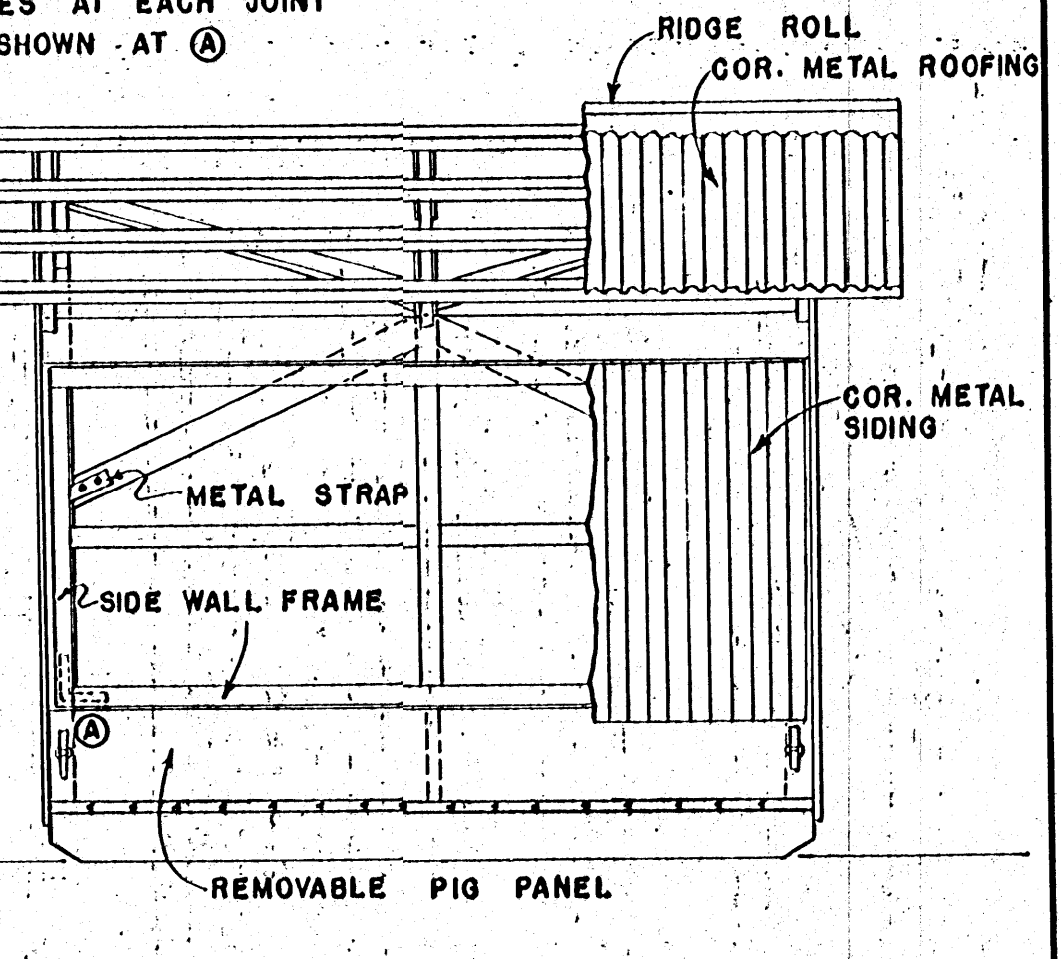
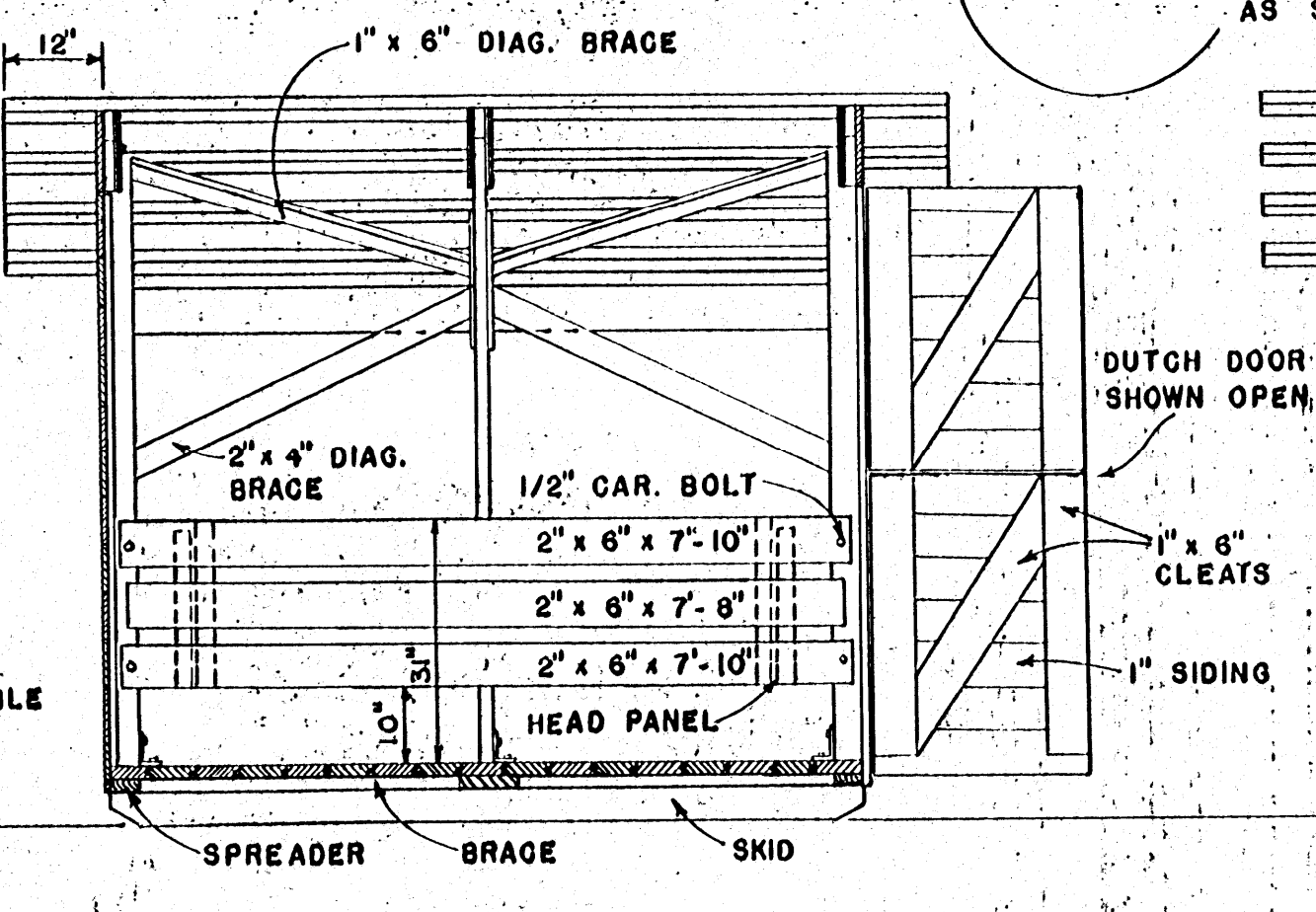
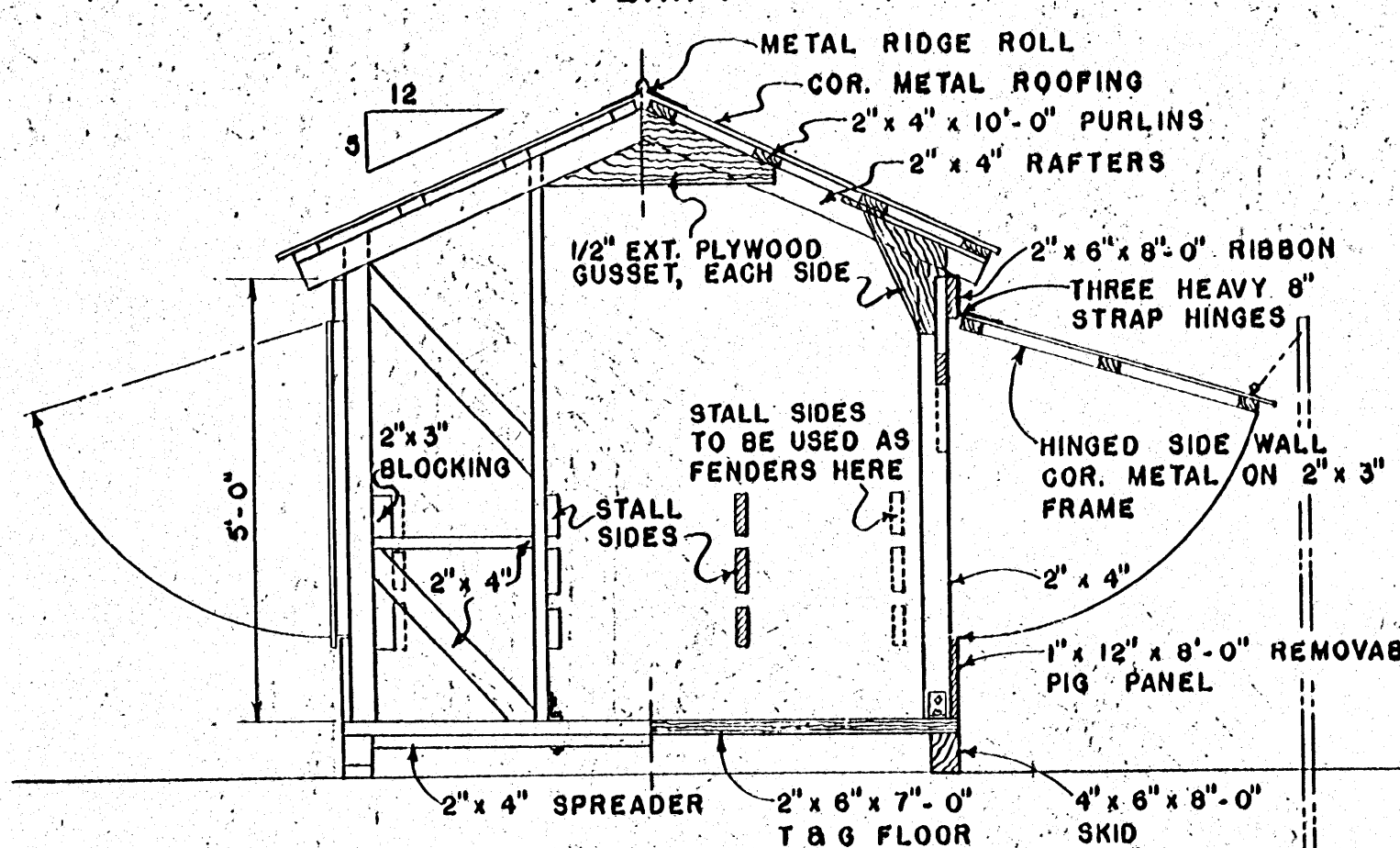


DIAGRAMS SHOWING VARIOUS USES OF BUILDING



NOTE: POSTS, PIG PANELS, FLOORING & SKIDS SHOULD BE TREATED WITH PRESERVATIVE.

COOPERATIVE EXTENSION WORK IN
 AGRICULTURE AND HOME ECONOMICS
 STATE OF MISSISSIPPI
 MISSISSIPPI STATE UNIVERSITY
 AND
 UNITED STATES DEPARTMENT OF AGRICULTURE COOPERATING

**7' x 8' MOVABLE HOG HOUSE
 WITH REMOVABLE FARROWING STALL**

USDA '56 | EX. 5826 | SHEET 1 OF 1