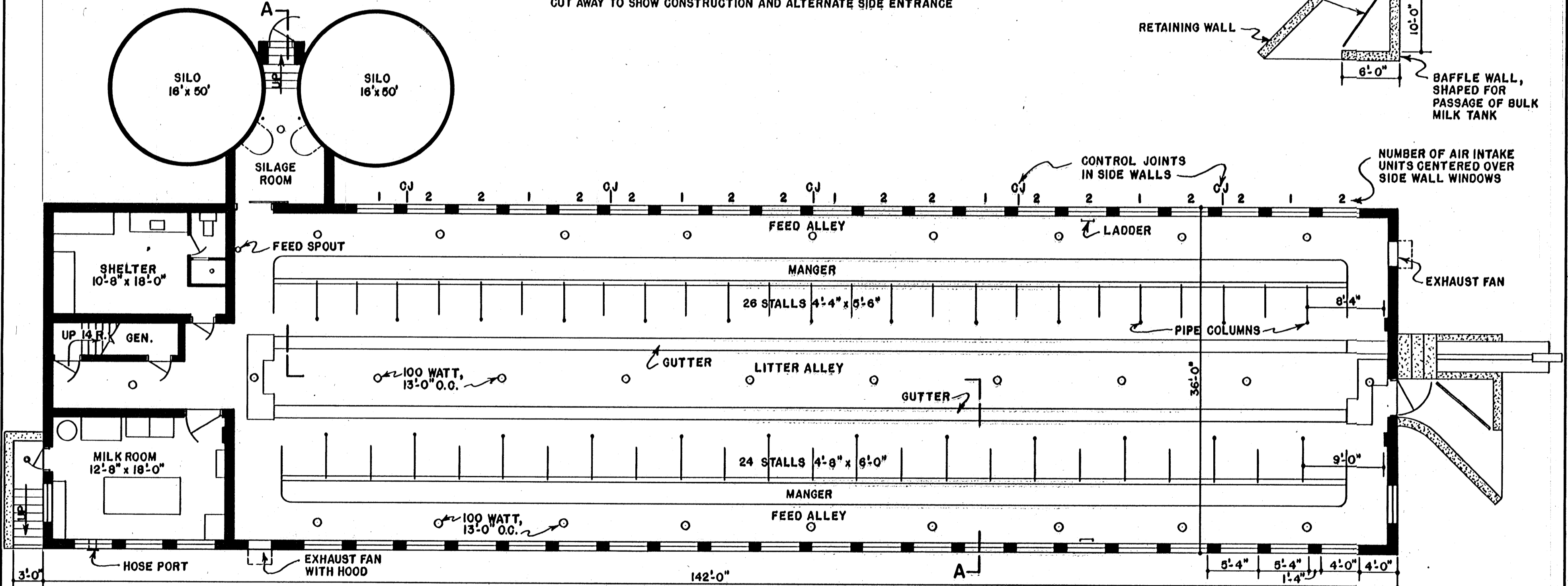


MOW PLAN
CUT AWAY TO SHOW CONSTRUCTION AND ALTERNATE SIDE ENTRANCE



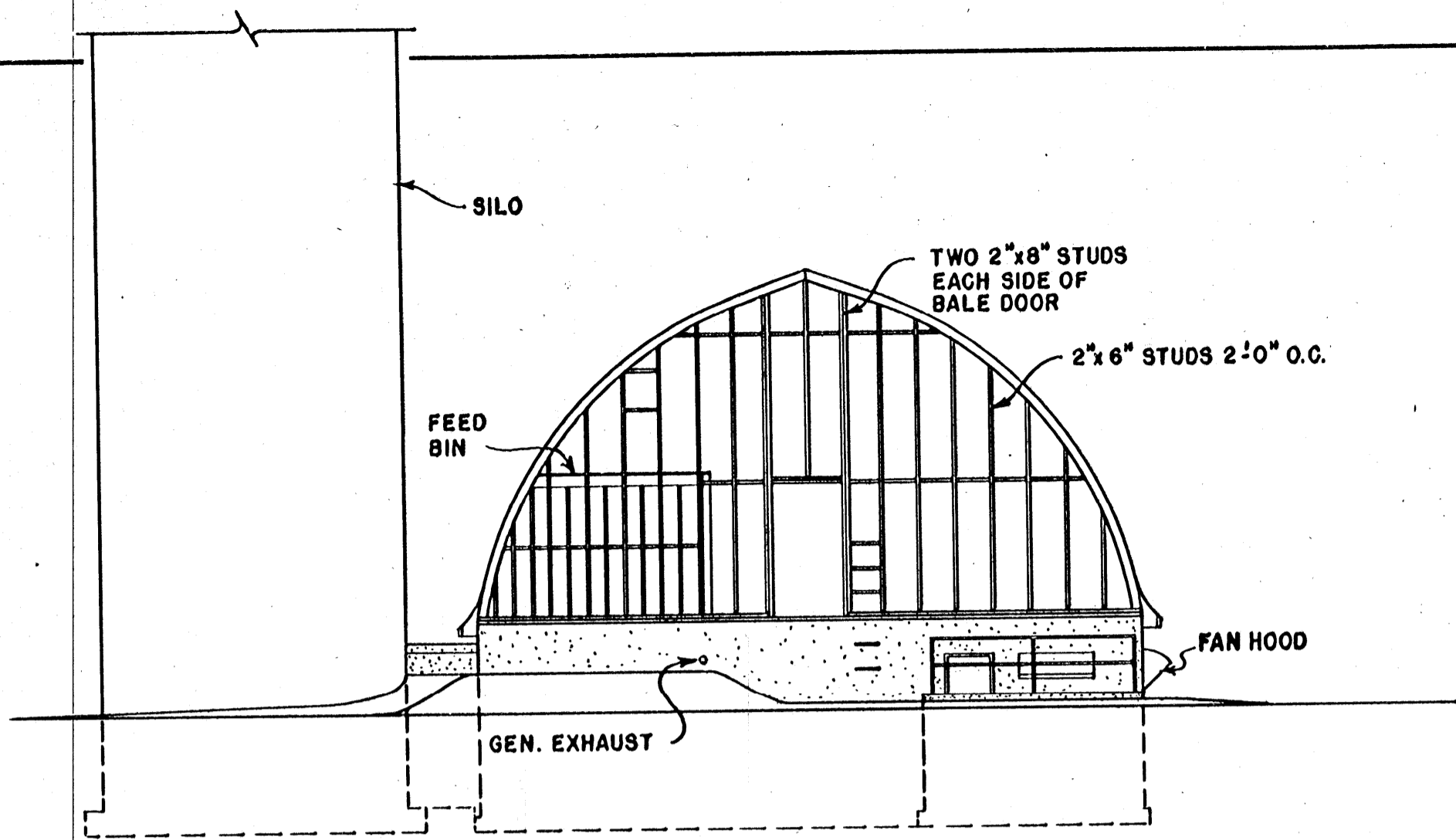
FLOOR PLAN

COOPERATIVE EXTENSION WORK IN
 AGRICULTURE AND HOME ECONOMICS
 STATE OF MISSISSIPPI
 MISSISSIPPI STATE UNIVERSITY
 AND
 UNITED STATES DEPARTMENT OF AGRICULTURE COOPERATING

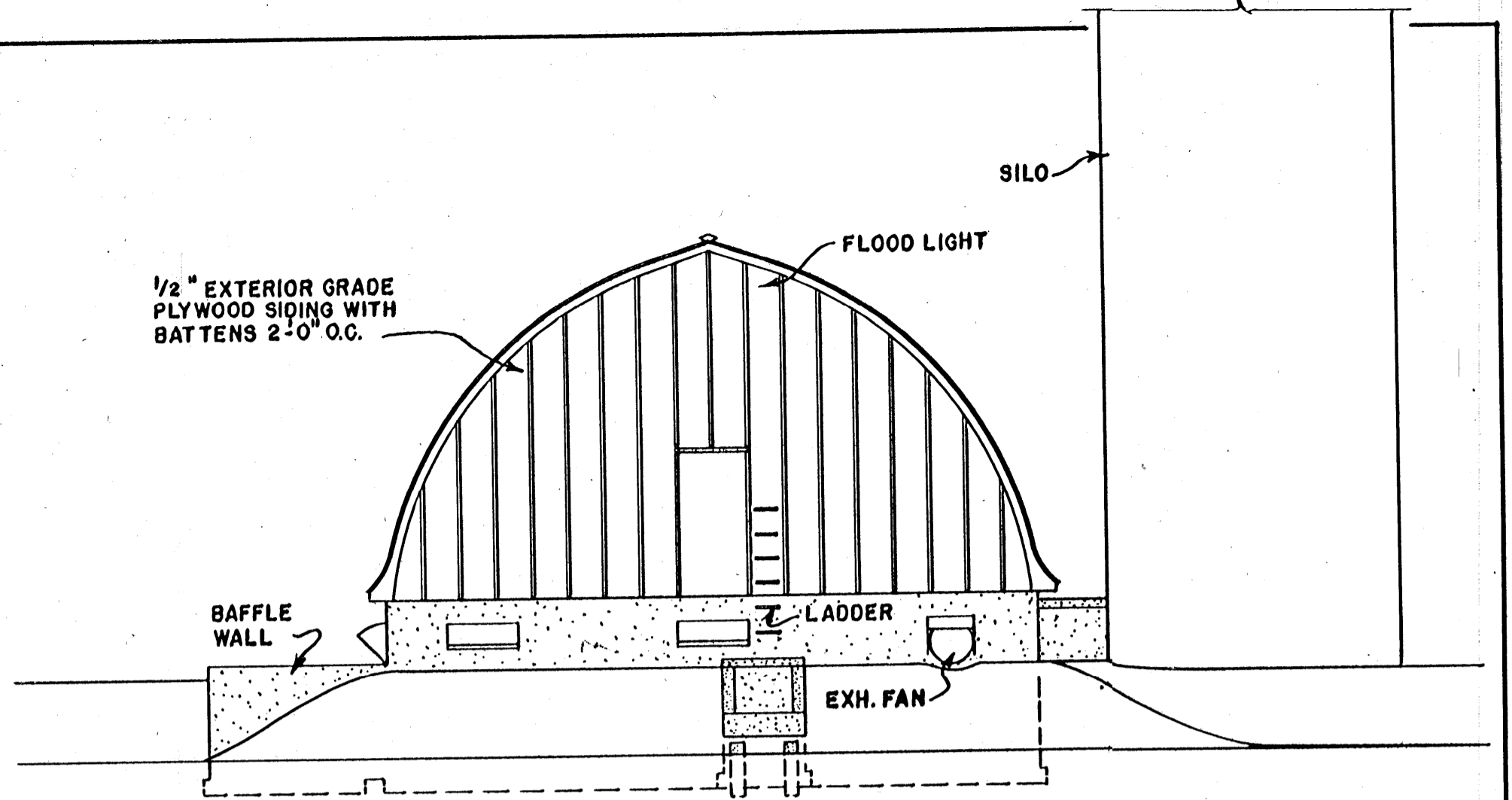
**STALL BARN & FALLOUT SHELTER
 FOR 50 COWS**

USDA '64 EX. 5953 SHEET 1 OF 5

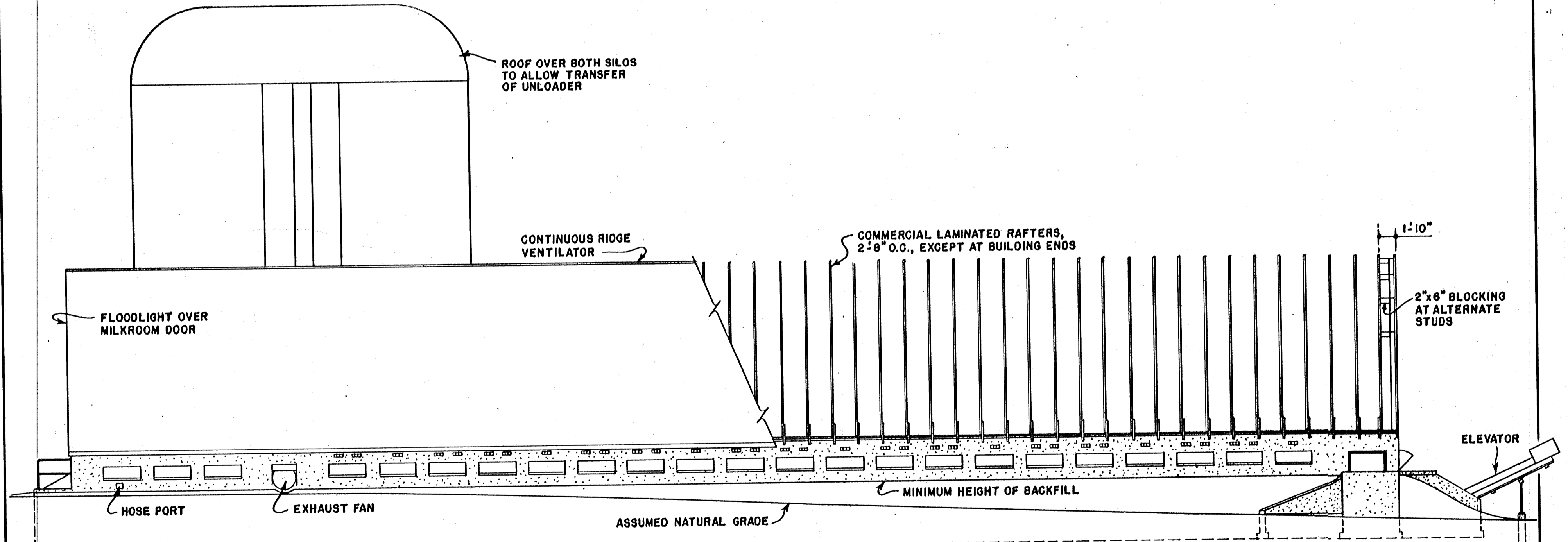
SCALE: 1/8" = 1'-0"



LEFT END ELEVATION
SIDING AND TRIM OMITTED TO SHOW FRAMING



RIGHT END ELEVATION
GUTTER CLEANER ELEVATOR NOT SHOWN



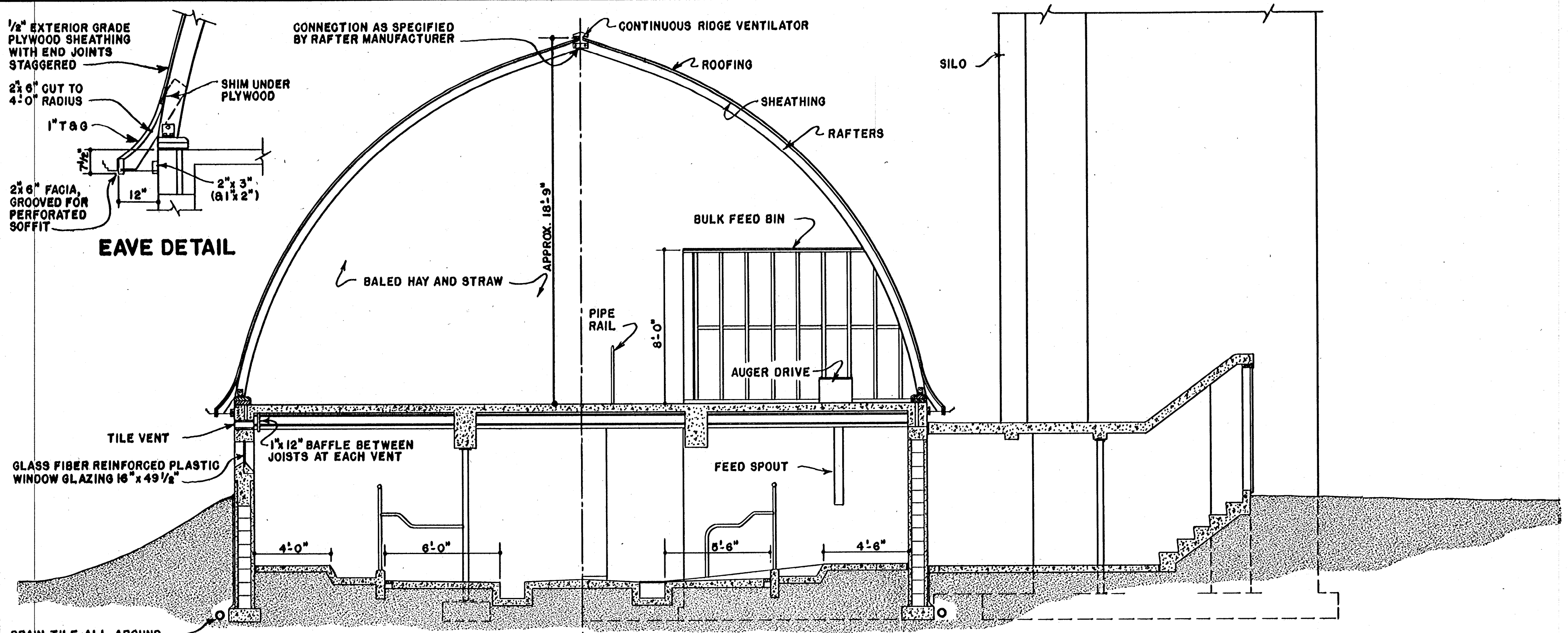
SIDE ELEVATION
ROOFING AND SHEATHING CUT AWAY TO SHOW FRAMING

COOPERATIVE EXTENSION WORK IN
AGRICULTURE AND HOME ECONOMICS
STATE OF MISSISSIPPI
MISSISSIPPI STATE UNIVERSITY
AND
UNITED STATES DEPARTMENT OF AGRICULTURE COOPERATING

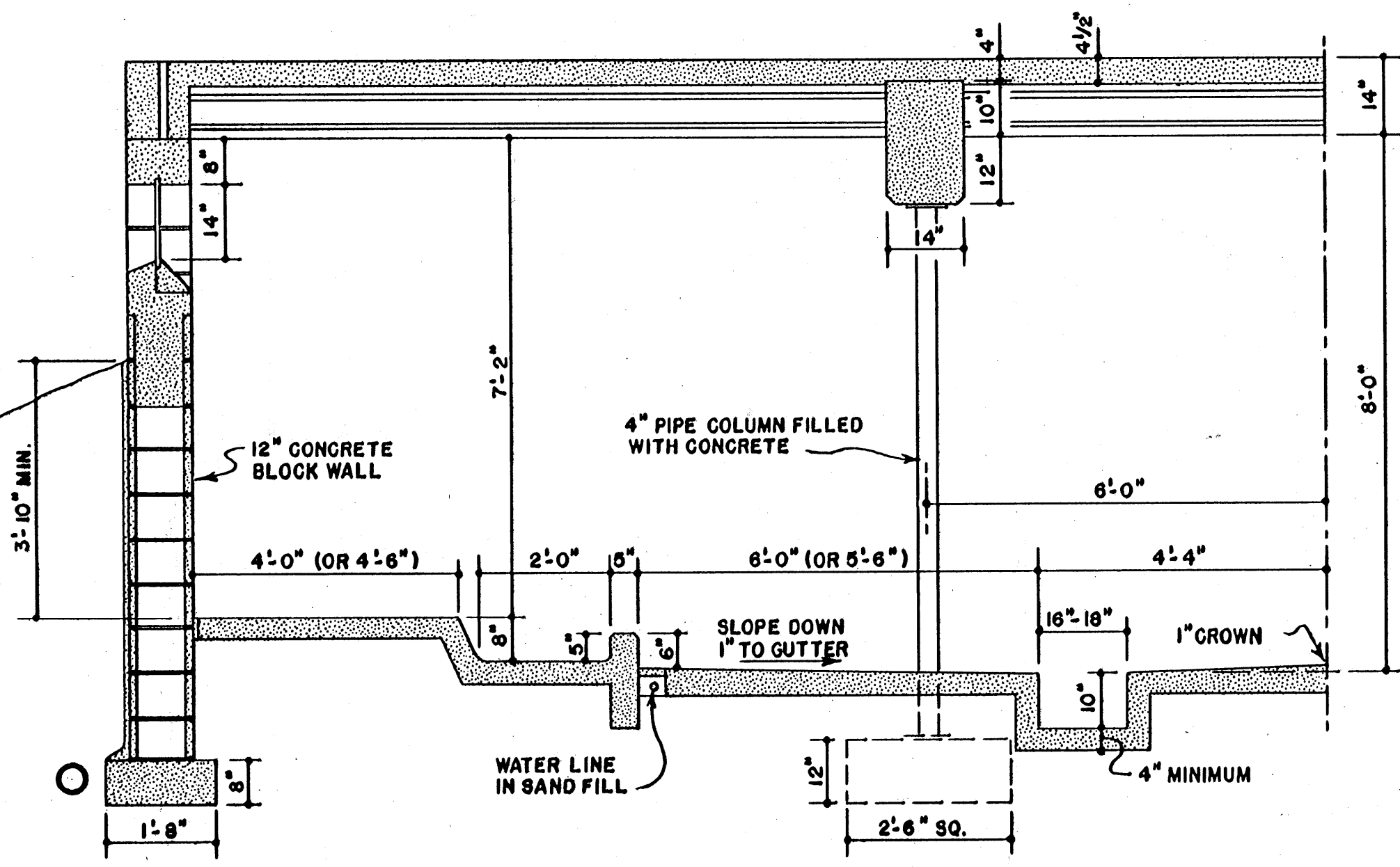
STALL BARN & FALLOUT SHELTER
FOR 50 COWS

USDA	'64	EX. 5953	SHEET 2 OF 5
------	-----	----------	--------------

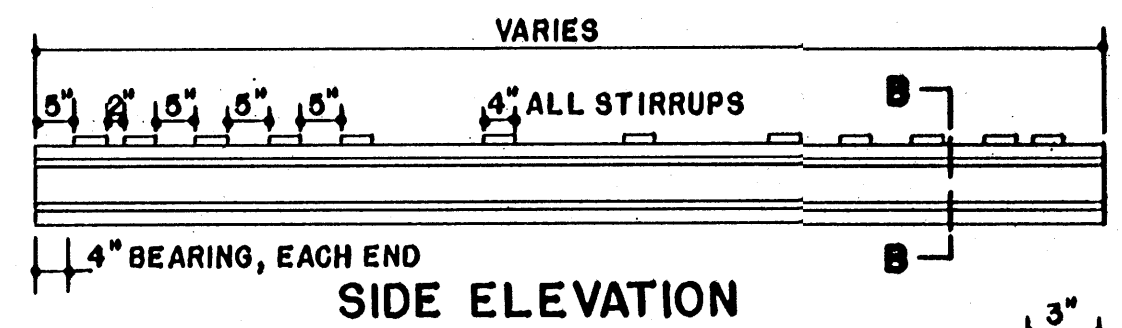
SCALE: 1/8" = 1'-0"



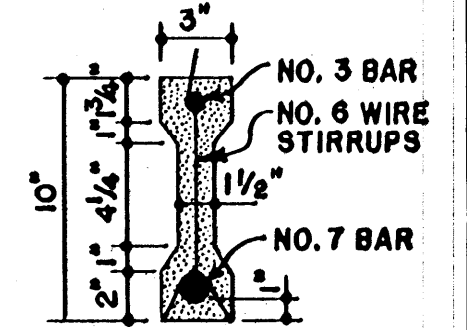
SECTION A-A
SCALE: 1/4" = 1'-0"



PART SECTION
SCALE: 1/2" = 1'-0"



SIDE ELEVATION



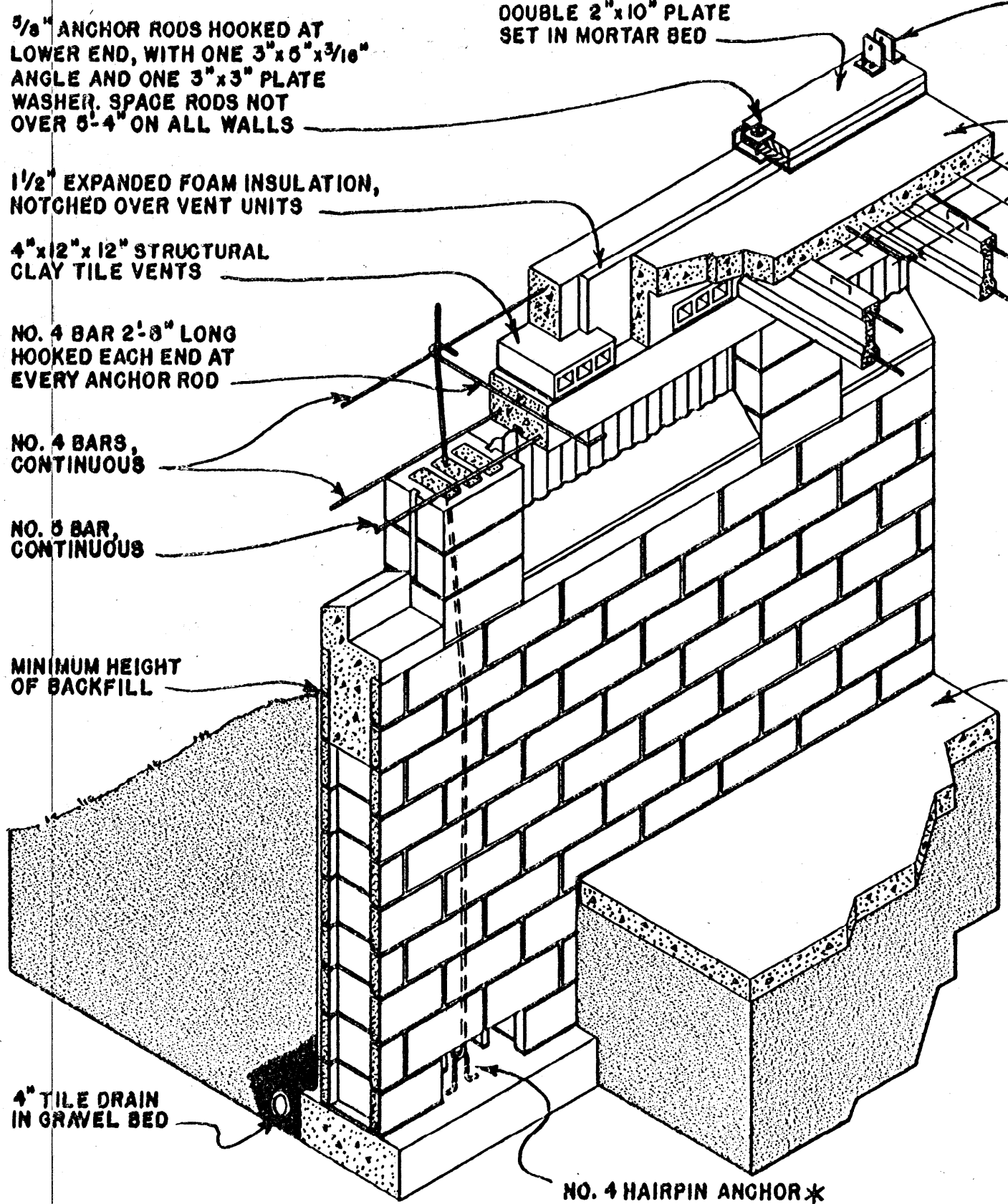
TYPICAL JOIST

SECTION B-B

COOPERATIVE EXTENSION WORK IN
 AGRICULTURE AND HOME ECONOMICS
 STATE OF MISSISSIPPI
 MISSISSIPPI STATE UNIVERSITY
 AND
 UNITED STATES DEPARTMENT OF AGRICULTURE COOPERATING

STALL BARN & FALLOUT SHELTER
 FOR 50 COWS

USDA '64 EX. 5953 SHEET 3 OF 6



DETAIL AT SIDE WALL

RAFTER ANCHORS, TWO 2"x4"x3/16" ANGLES 4" LONG DRILLED FOR 5/8" MACH. BOLT AND TWO 7/16"x3" LAG SCREWS (OR ANCHORS AS SPECIFIED BY THE RAFTER MANUFACTURER)

MOW FLOOR SLAB REINFORCED WITH 6"x6" 6/16" WELDED WIRE MESH

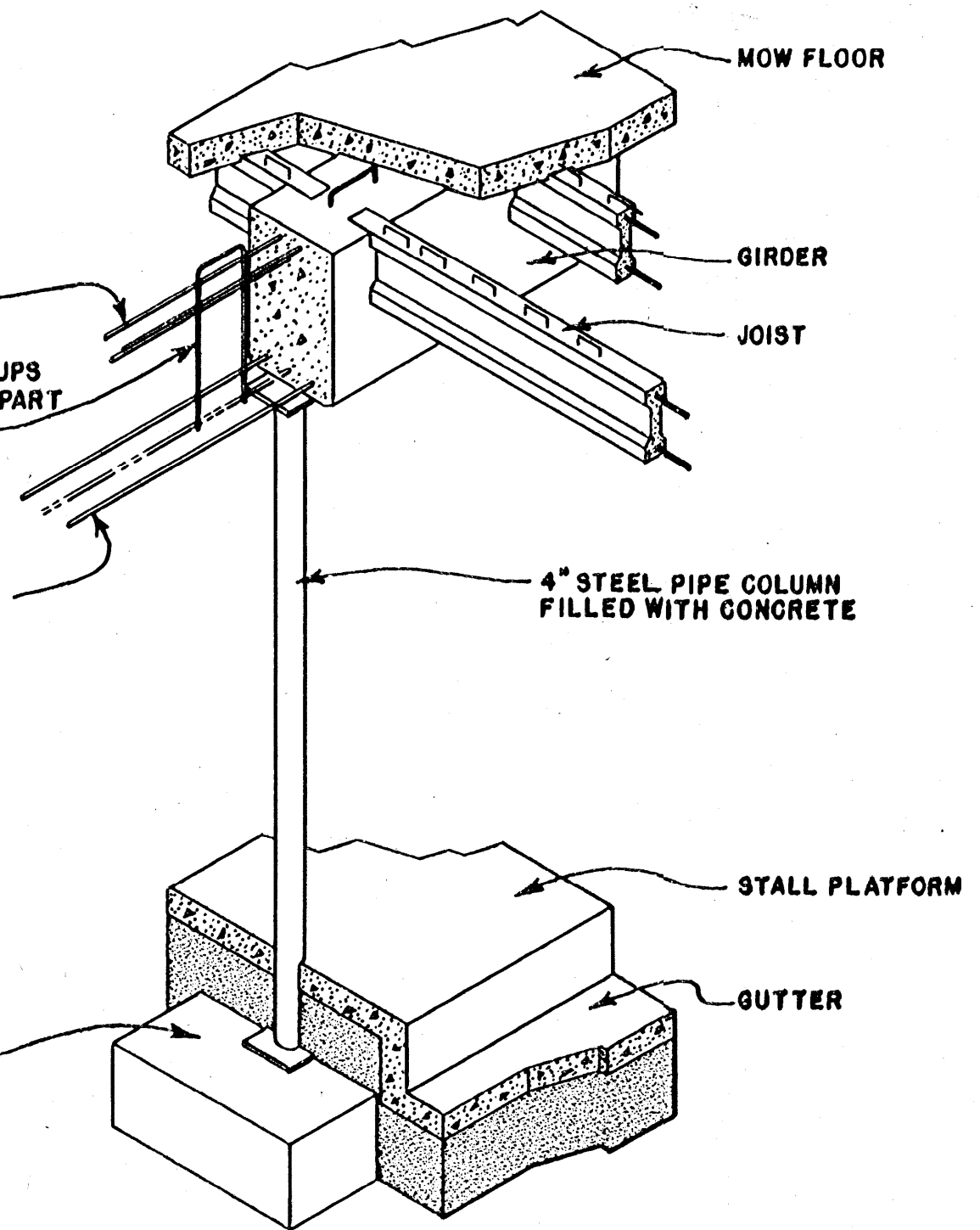
FEED ALLEY

* USE A SPLIT BLOCK AT EACH HAIRPIN ANCHOR AND FILL CAVITIES WITH CONCRETE AFTER ANCHOR RODS ARE PLACED

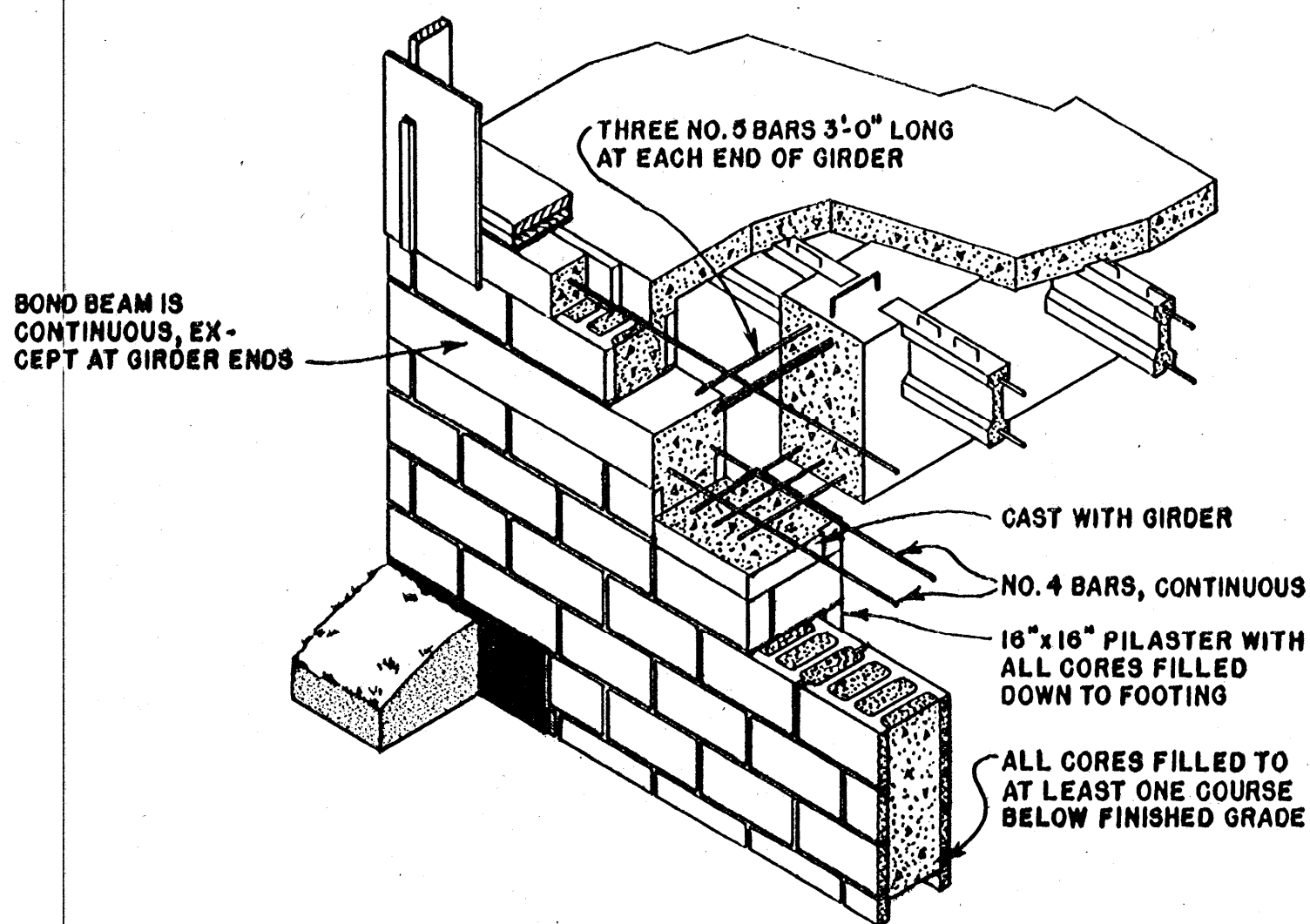
THREE NO. 5 BARS 5'-0" LONG, OVER EACH COLUMN

TWO NO. 2 BAR STIRRUPS 8" WIDE, SPACED 14" APART AT EACH COLUMN

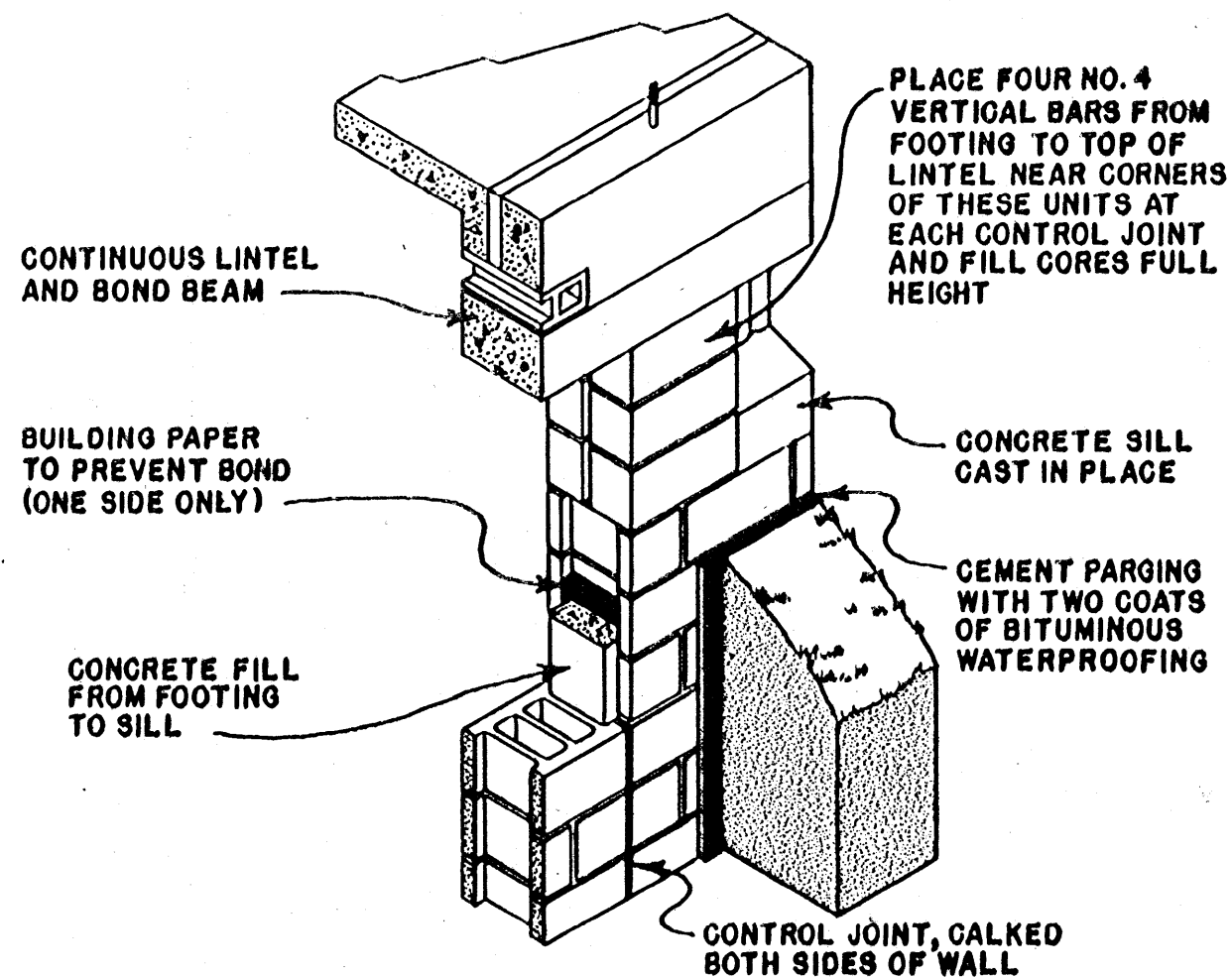
TWO NO. 5 BARS, CONTINUOUS. USE THREE AT END SPANS



DETAIL AT COLUMN

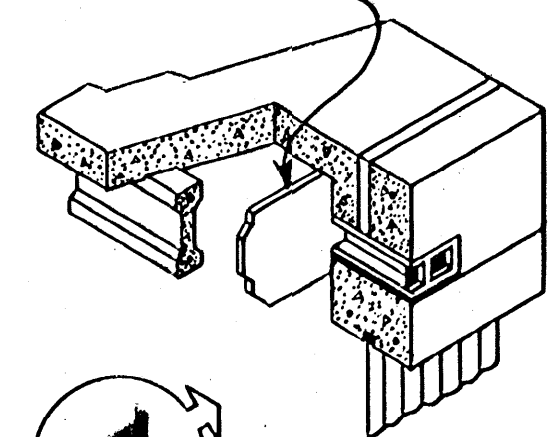


DETAIL AT END WALL



TYPICAL CONTROL JOINT

1"x12" BAFFLE BETWEEN JOISTS ABOUT 1" FROM TILE INTAKE VENTS

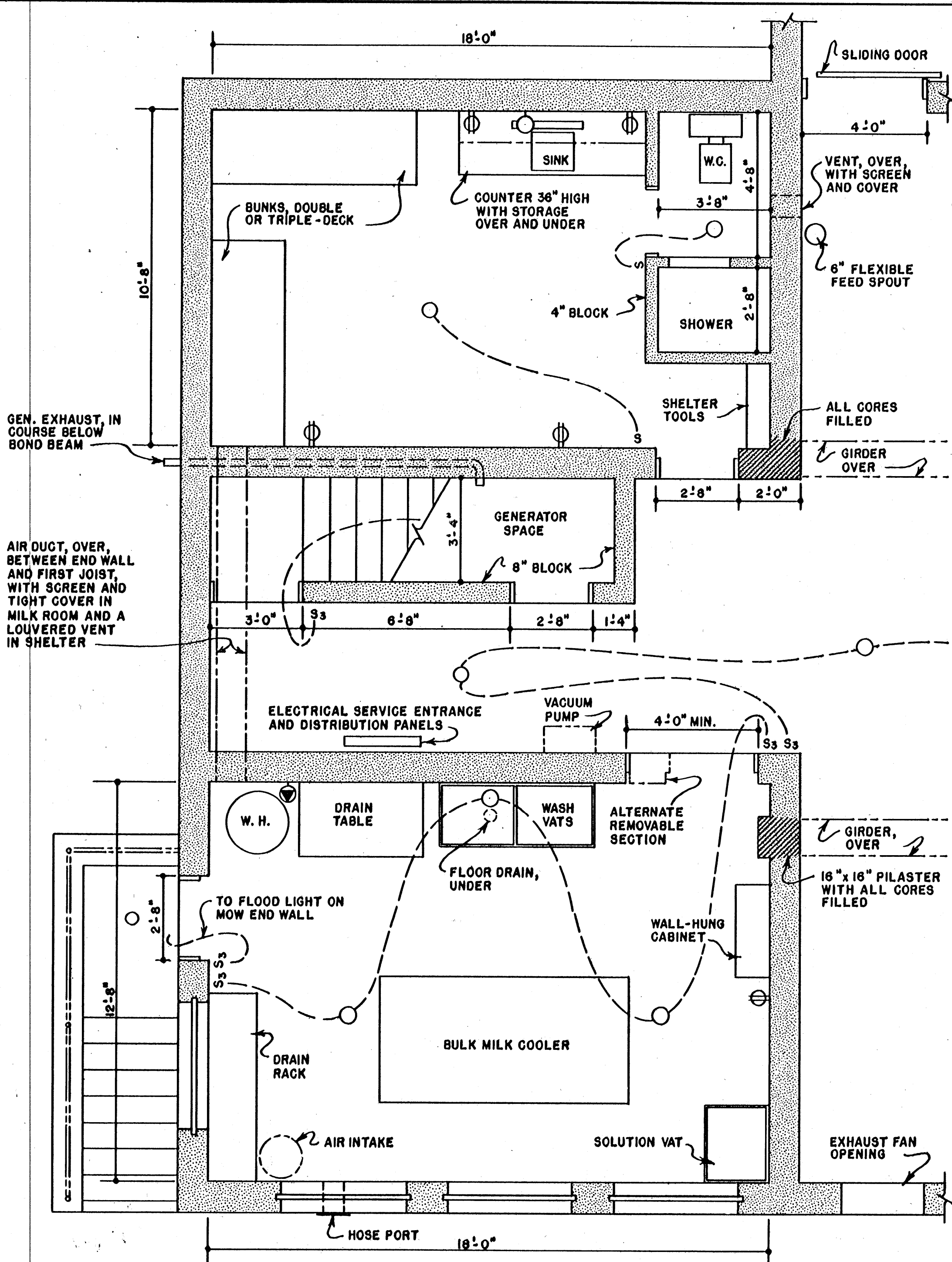


AIR INTAKE VENT DETAIL

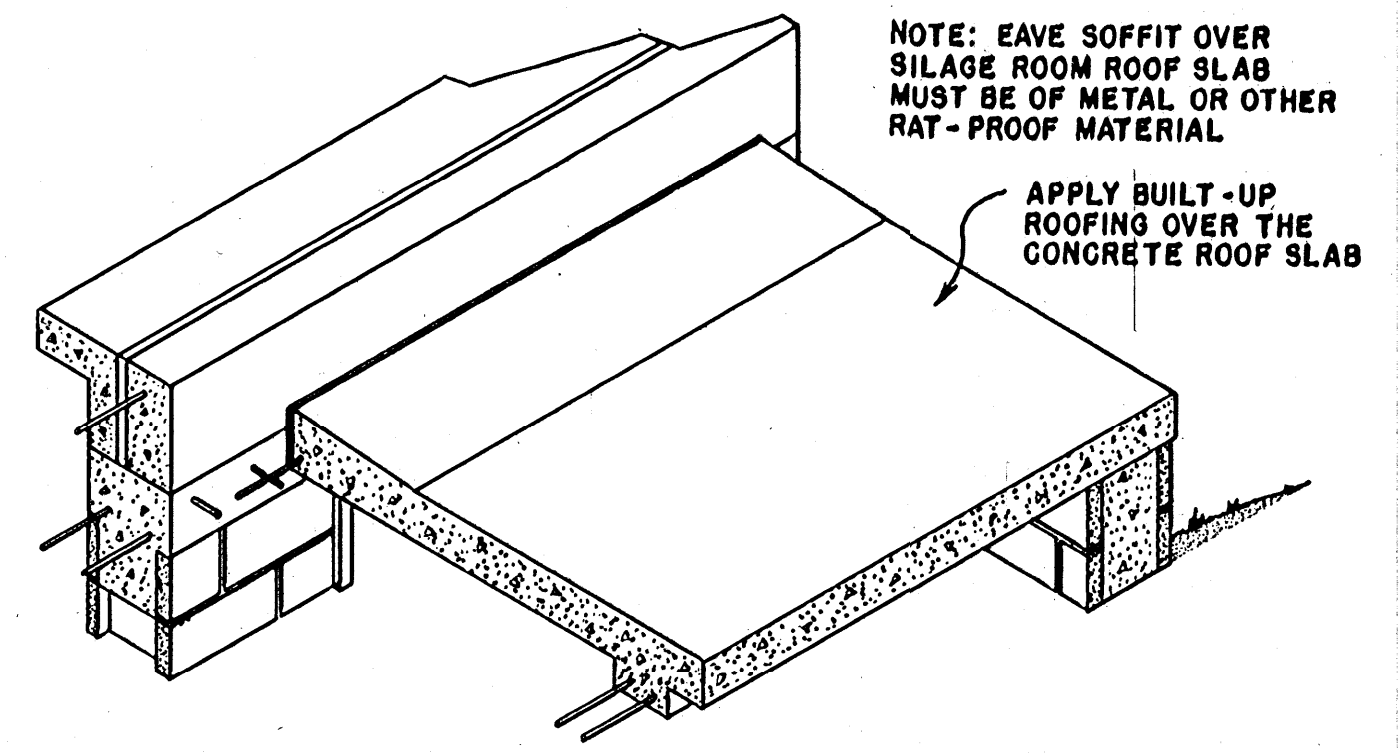
COOPERATIVE EXTENSION WORK IN AGRICULTURE AND HOME ECONOMICS
STATE OF MISSISSIPPI
MISSISSIPPI STATE UNIVERSITY
AND
UNITED STATES DEPARTMENT OF AGRICULTURE COOPERATING

STALL BARN & FALLOUT SHELTER
FOR 50 COWS

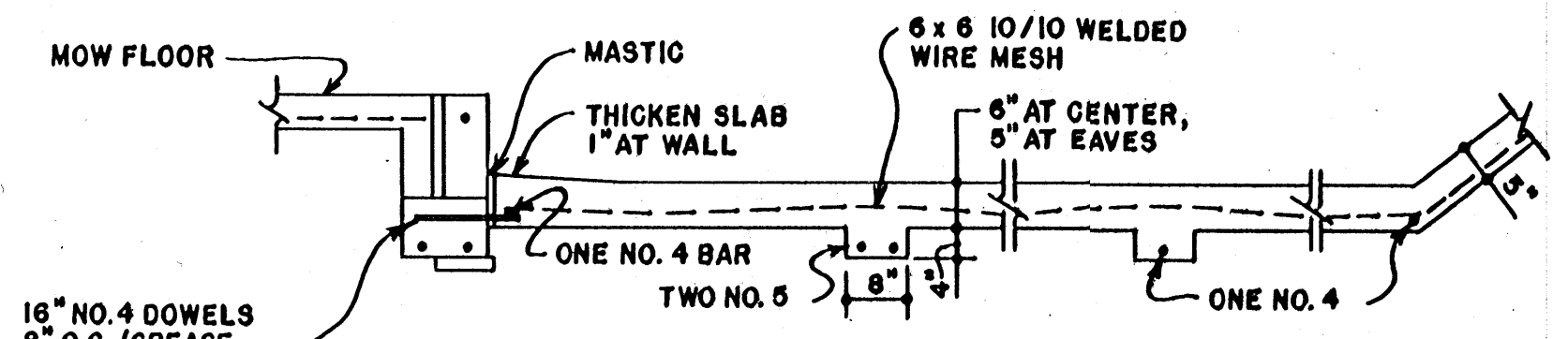
USDA '64 EX. 5953 SHEET 4 OF 5



PART PLAN
SCALE: 3/8" = 1'-0"



CUT-AWAY VIEW



**SECTION
SILAGE ROOM ROOF DETAIL**
SCALE: 1/2" = 1'-0"

COOPERATIVE EXTENSION WORK IN
AGRICULTURE AND HOME ECONOMICS
STATE OF MISSISSIPPI
MISSISSIPPI STATE UNIVERSITY
AND
UNITED STATES DEPARTMENT OF AGRICULTURE COOPERATING

**STALL BARN & FALLOUT SHELTER
FOR 50 COWS**

USDA	'64	EX. 5953	SHEET 5 OF 5
------	-----	----------	--------------