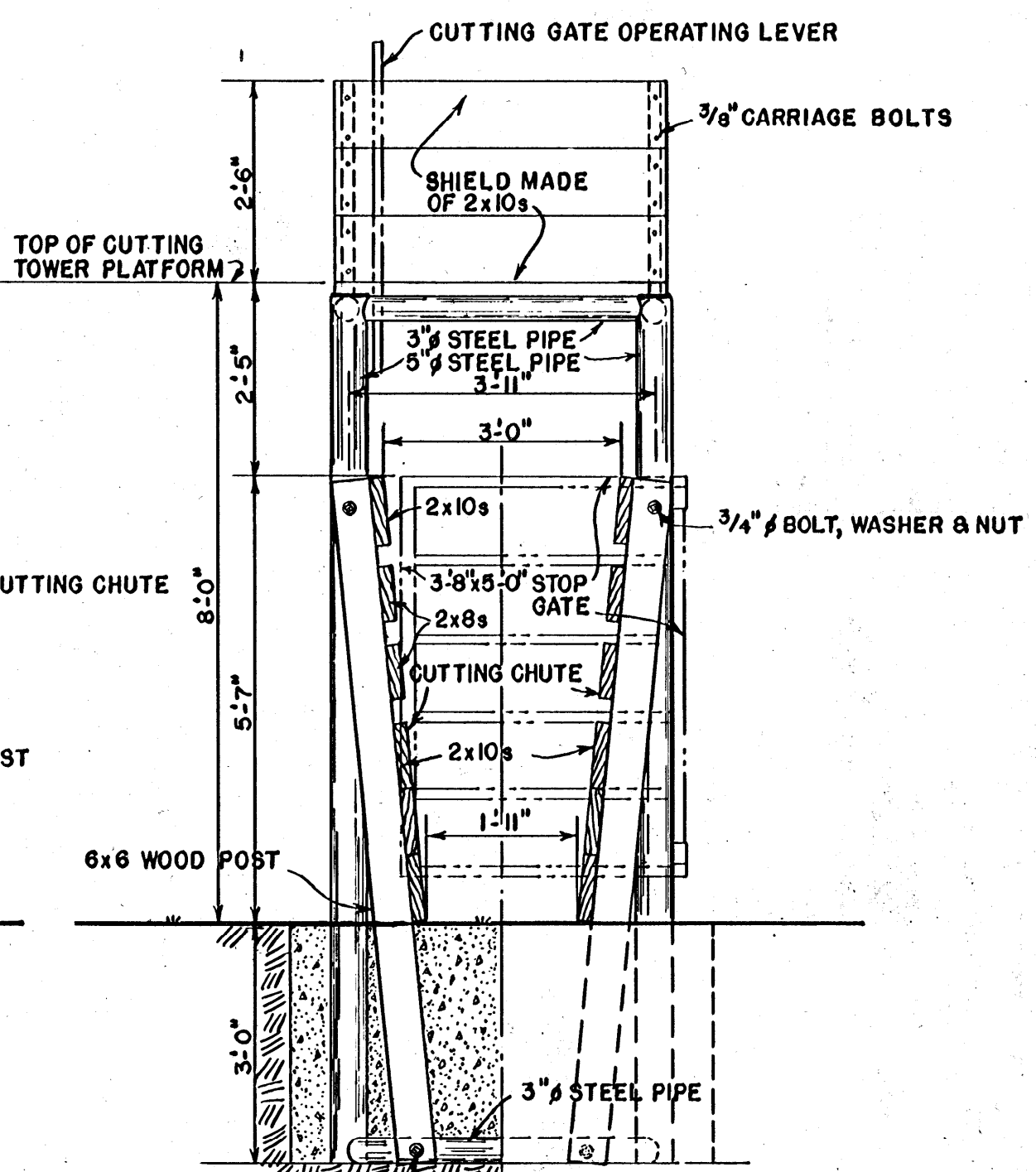
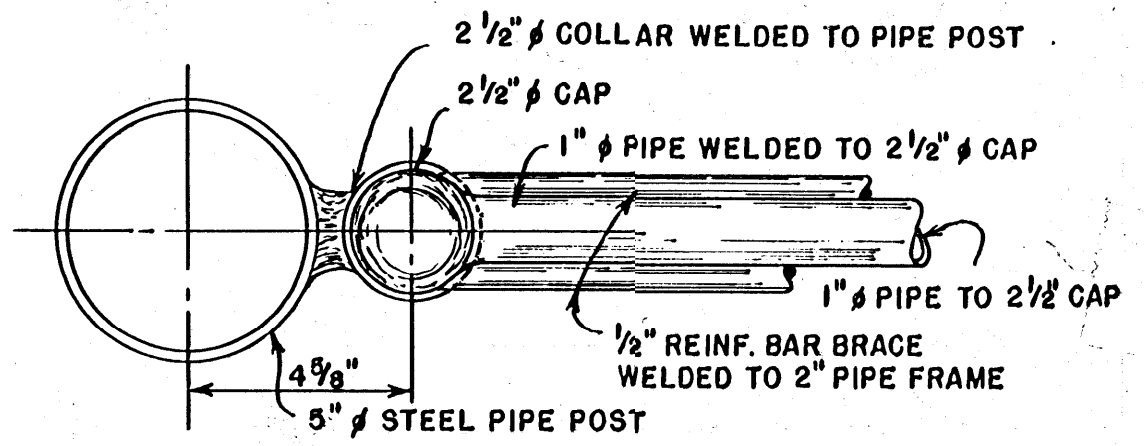


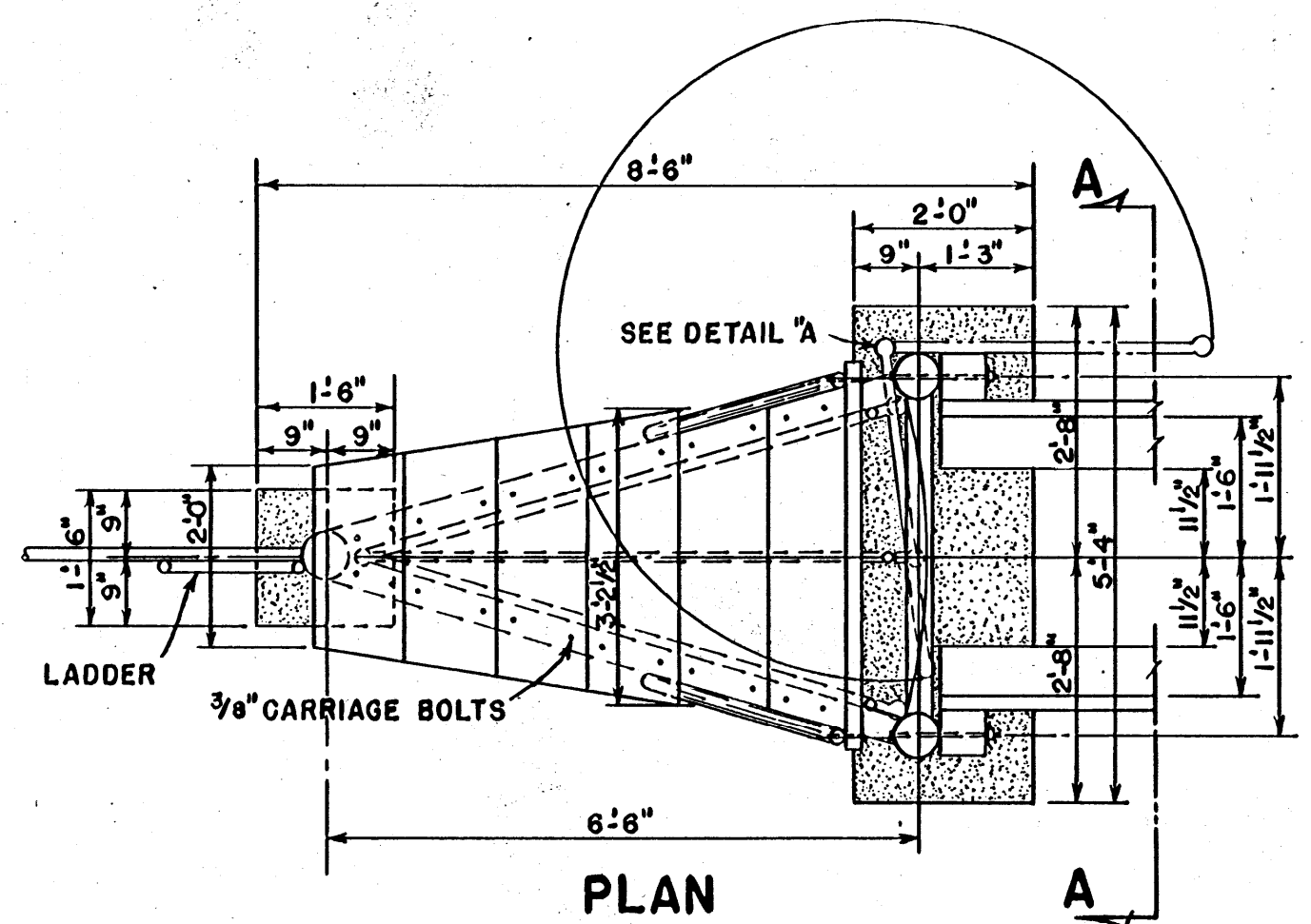
ELEVATION



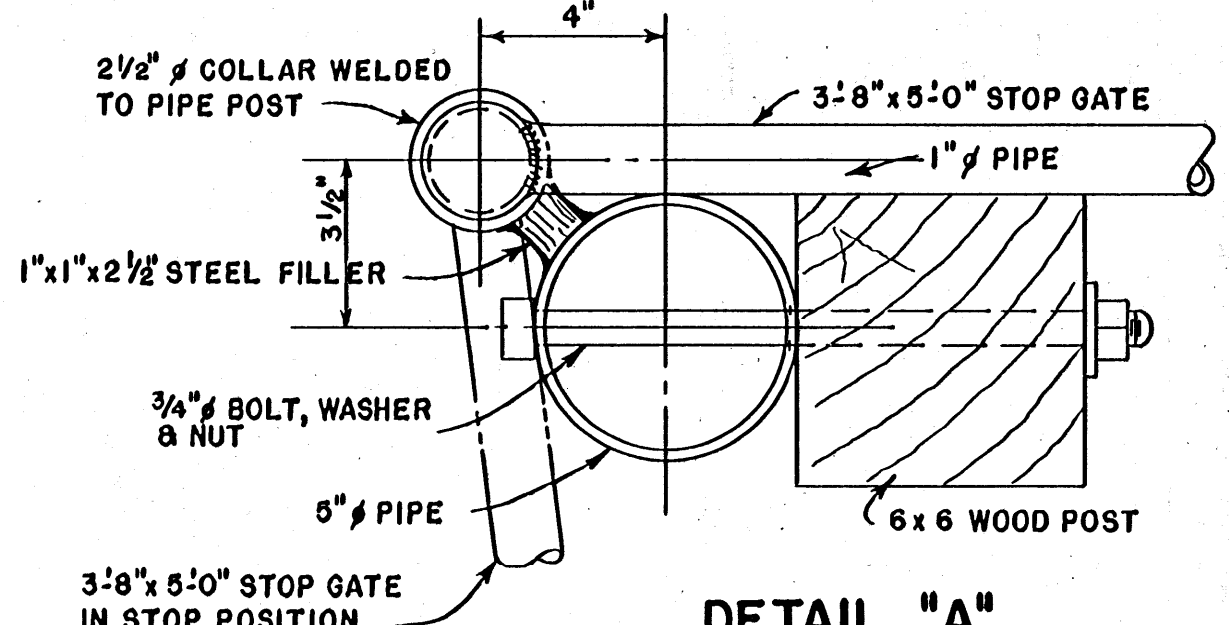
SECTION A-A



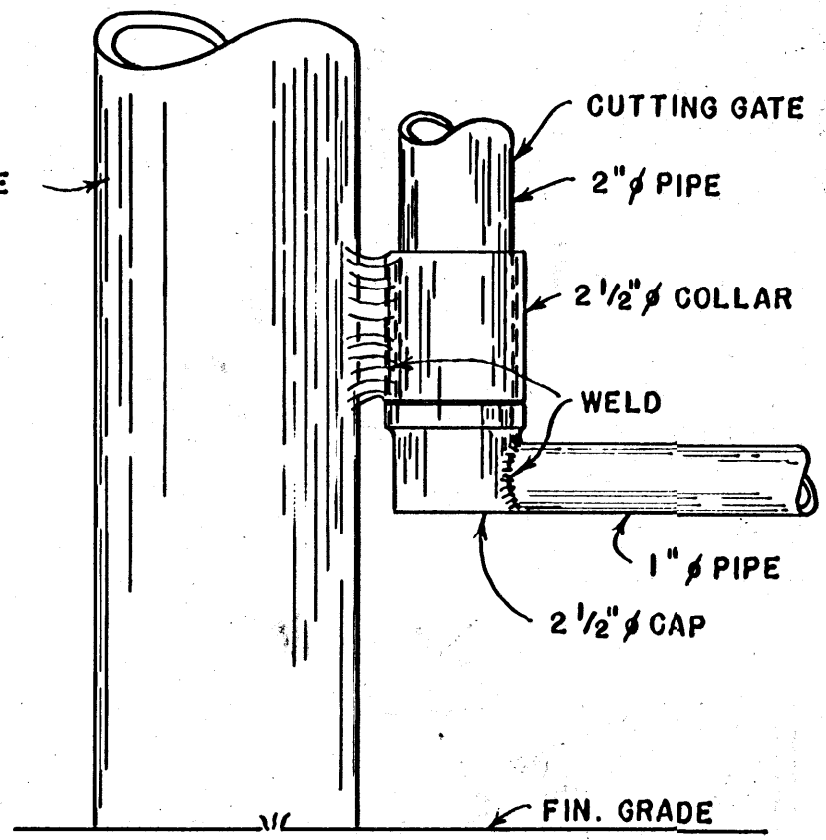
DETAIL "B"
SCALE: 3" = 1'-0"



PLAN



DETAIL "A"
SCALE: 3" = 1'-0"



DETAIL "C"
SCALE: 3" = 1'-0"

SCALE: 1/2" = 1'-0" UNLESS OTHERWISE NOTED.

COOPERATIVE EXTENSION WORK IN
AGRICULTURE AND HOME ECONOMICS
STATE OF MISSISSIPPI
MISSISSIPPI STATE UNIVERSITY
AND
UNITED STATES DEPARTMENT OF AGRICULTURE COOPERATING

CUTTING GATE,
TOWER AND CHUTE

USDA '63 EX. 5959 SHEET 1 OF 1