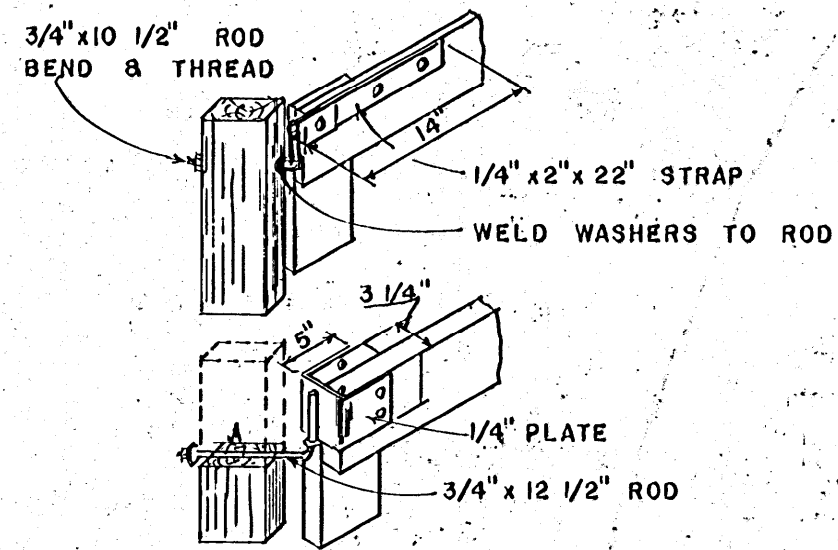
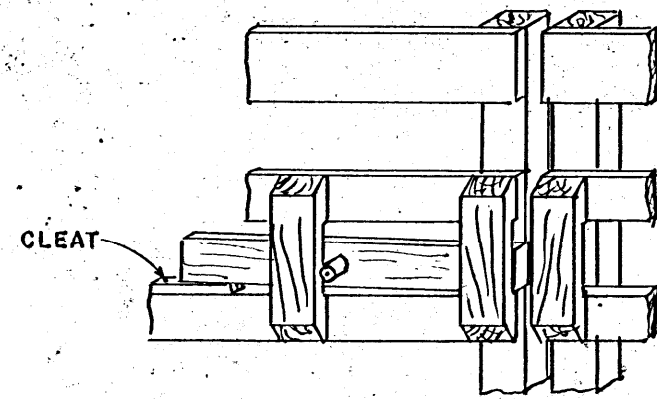


HINGES

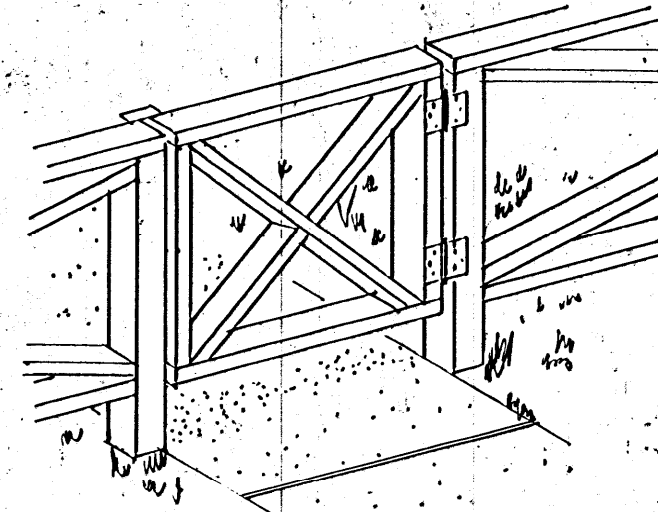


LATCHES

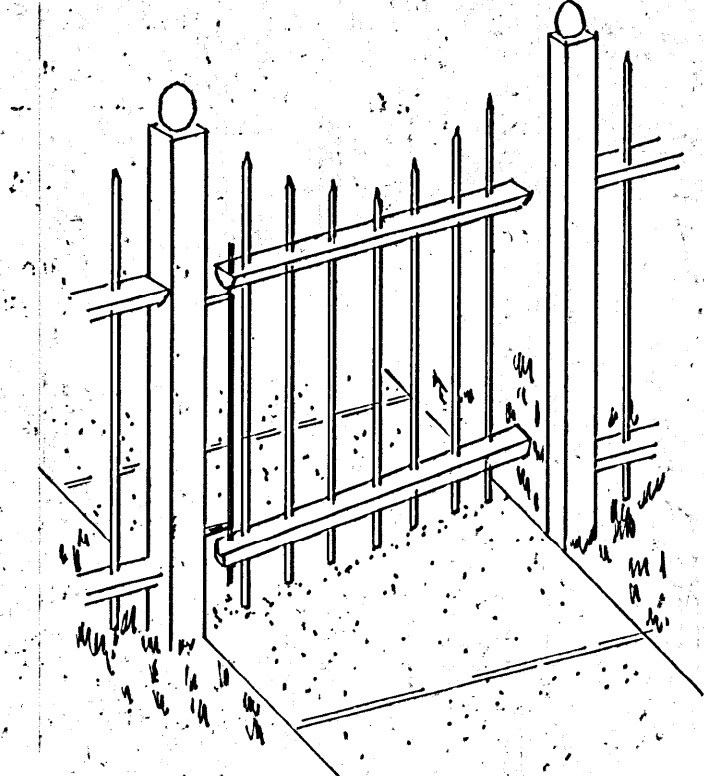
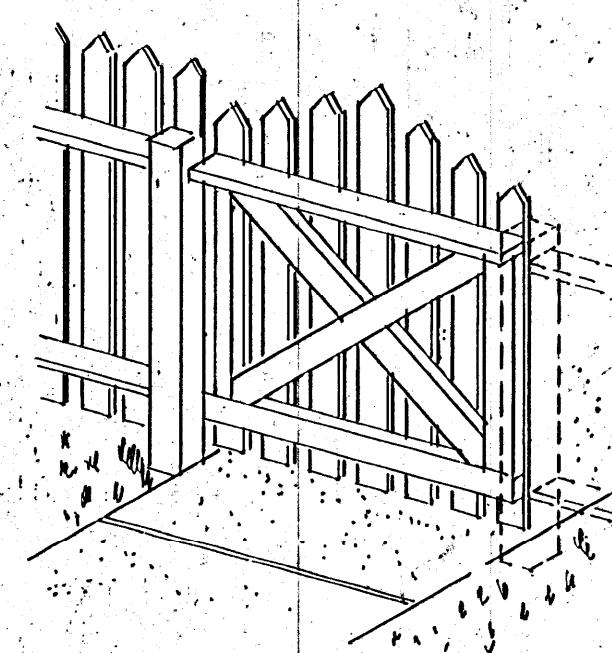
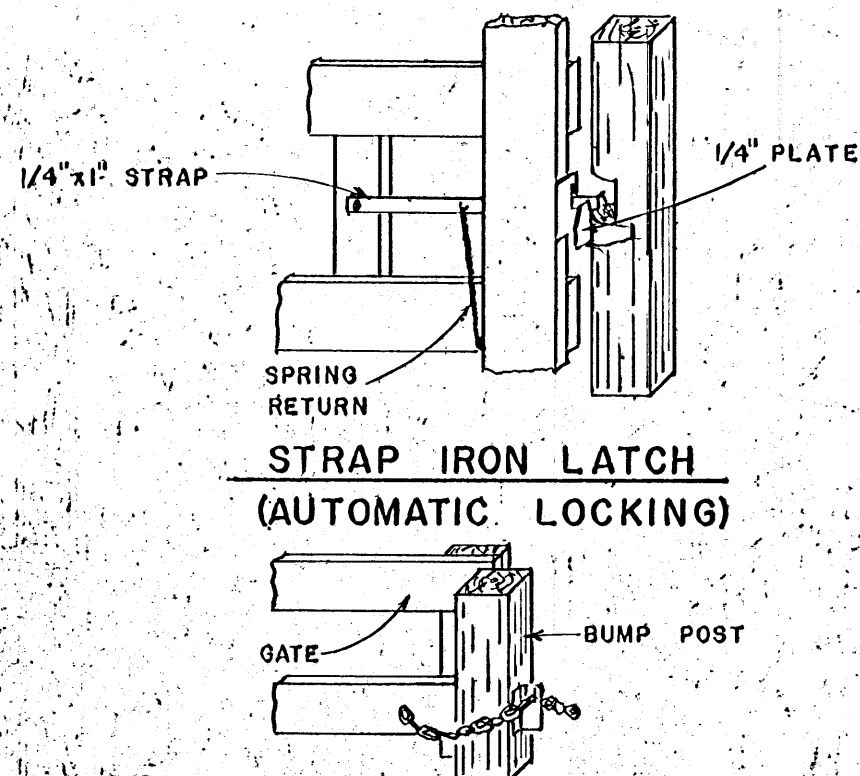
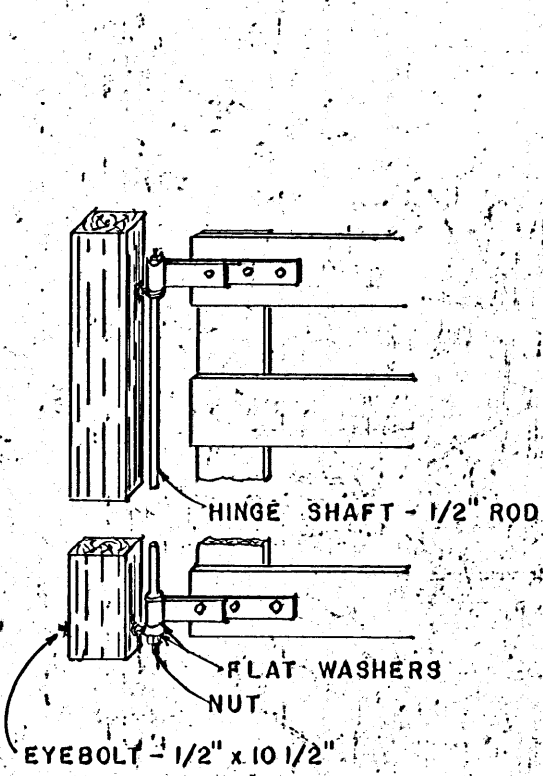


SLIDE STICK LATCH

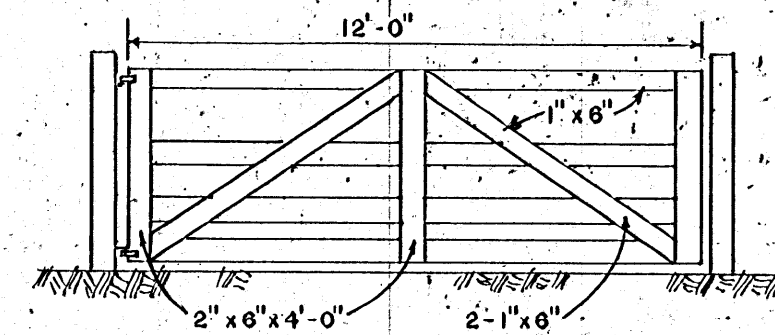
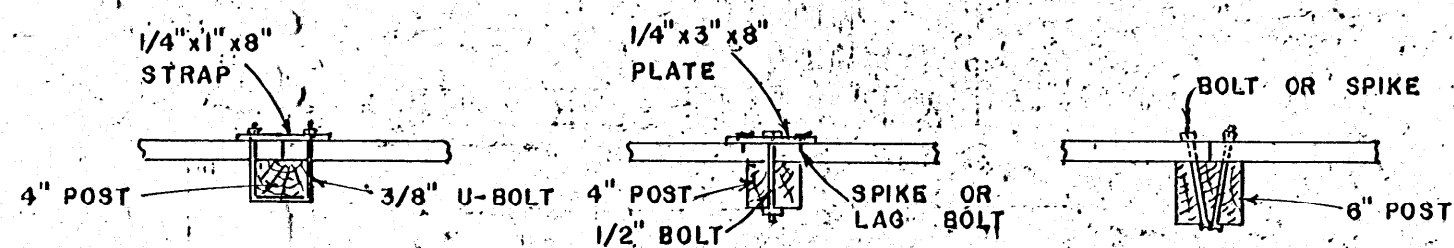
GATES



NOTE:
GATES SHOULD BE ASSEMBLED WITH WATERPROOF GLUE TO HELP RESIST SAGGING.
GATES WILL SAG WHEN THE HINGES USED TO ATTACH THE GATE ARE TOO SMALL.
USE A RUGGED HINGE.
IMBED THE HINGE POST 12" DEEPER THAN THE LINE POST.
USE HOT-CLIPPE GALVANIZED HINGES AND LATCHES.



SPLICES



FARM YARD GATES	
COOPERATIVE EXTENSION SERVICE STATE OF MISSISSIPPI MISSISSIPPI STATE UNIVERSITY AND UNITED STATES DEPARTMENT OF AGRICULTURE COOPERATING	
DRAWN BY: R.F.W.	CHECKED BY: L.M.
DATE: AUG. '71	DWG. NO. 5505-B SHT. 1 of 1