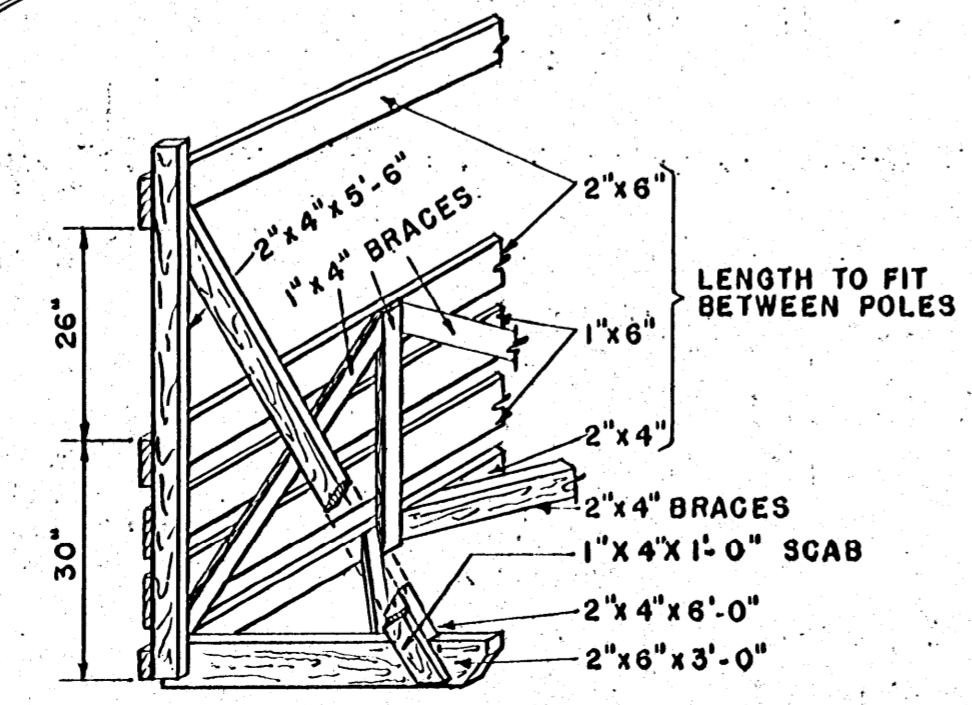
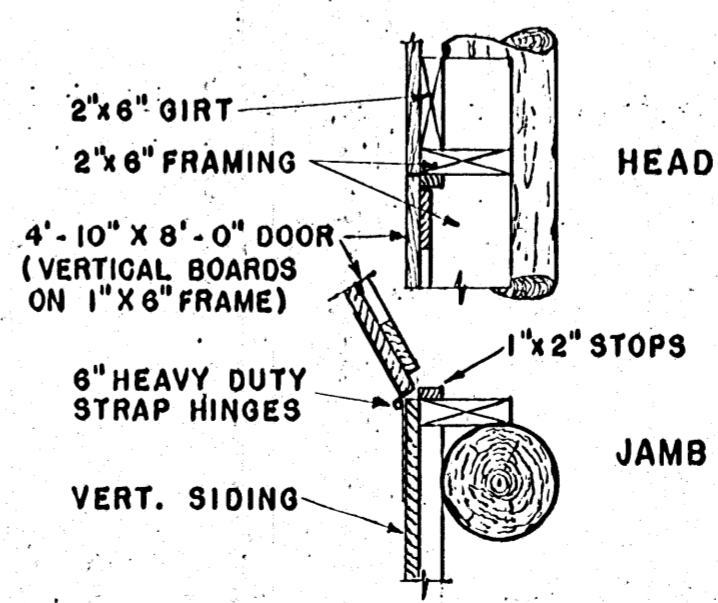


PLAN
SCALE 1/4" = 1'-0"



ISOMETRIC DETAIL OF
MOVABLE HAY FENCES

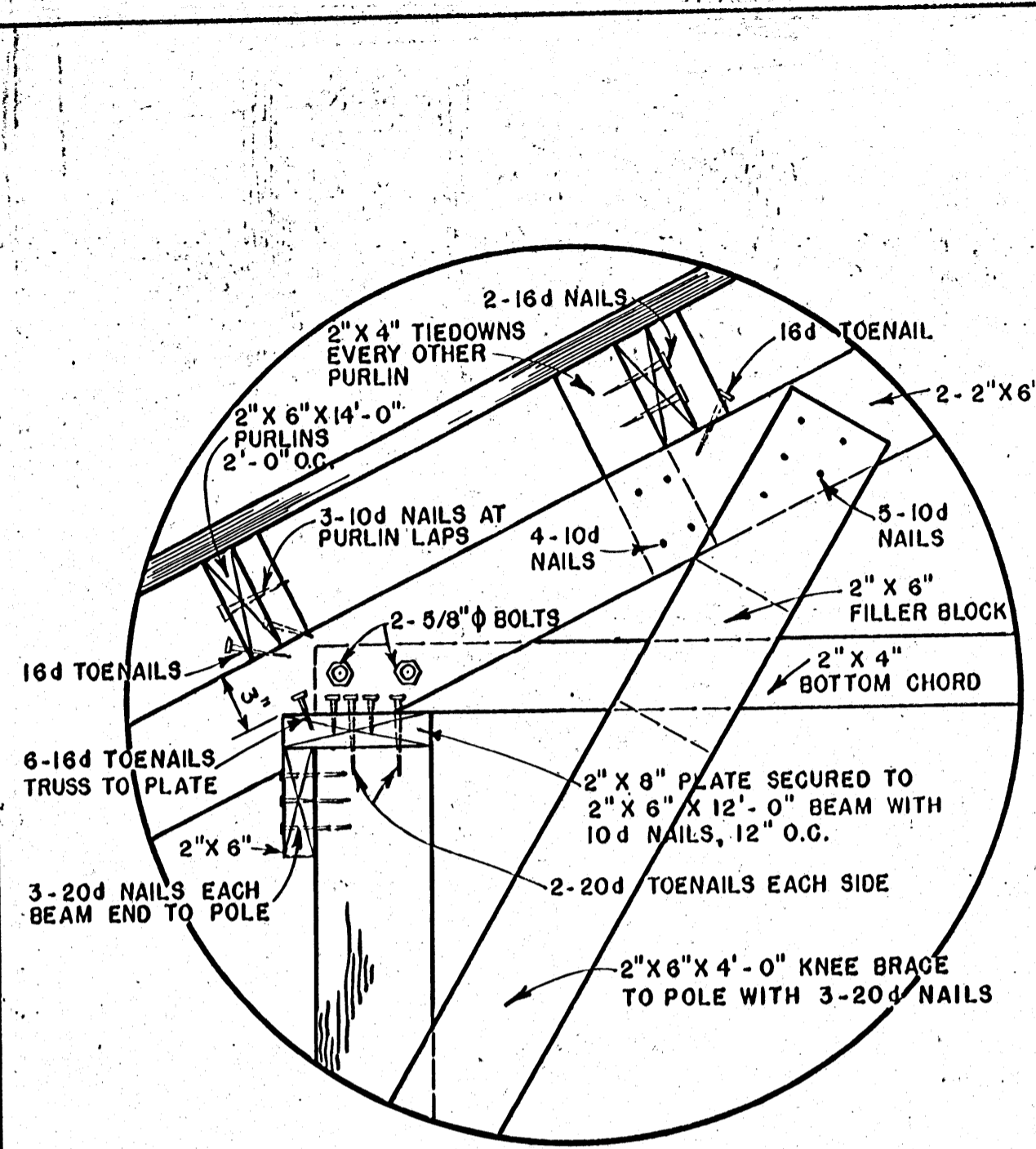


DOOR DETAIL
SCALE 1" = 1'-0"

COOPERATIVE EXTENSION WORK IN
AGRICULTURE AND HOME ECONOMICS
STATE OF MISSISSIPPI
MISSISSIPPI STATE UNIVERSITY
AND
UNITED STATES DEPARTMENT OF AGRICULTURE COOPERATING

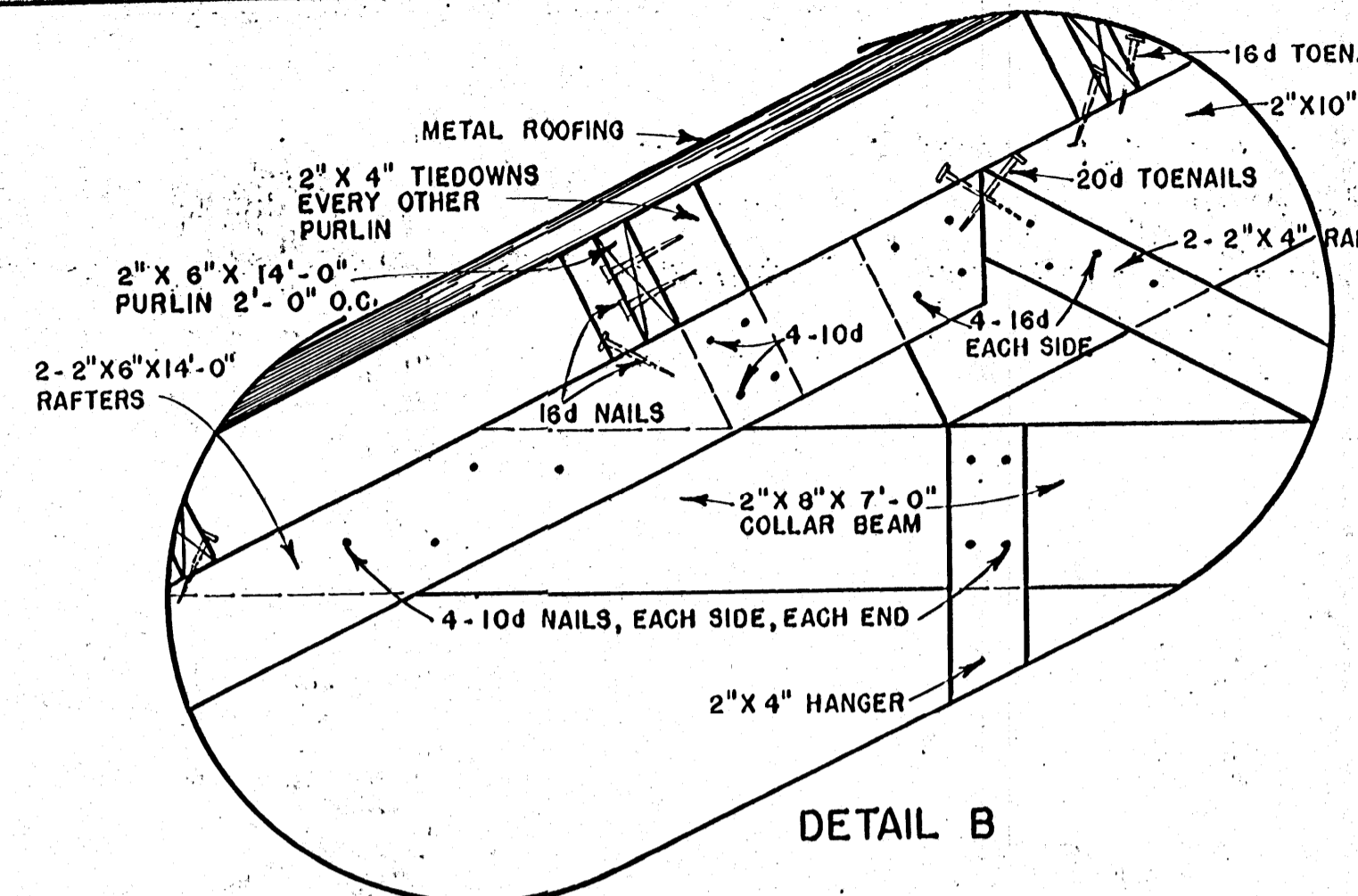
CATTLE BARN, POLE CONSTRUCTION

USDA '53 EX. 5754 SHEET 1 OF 3

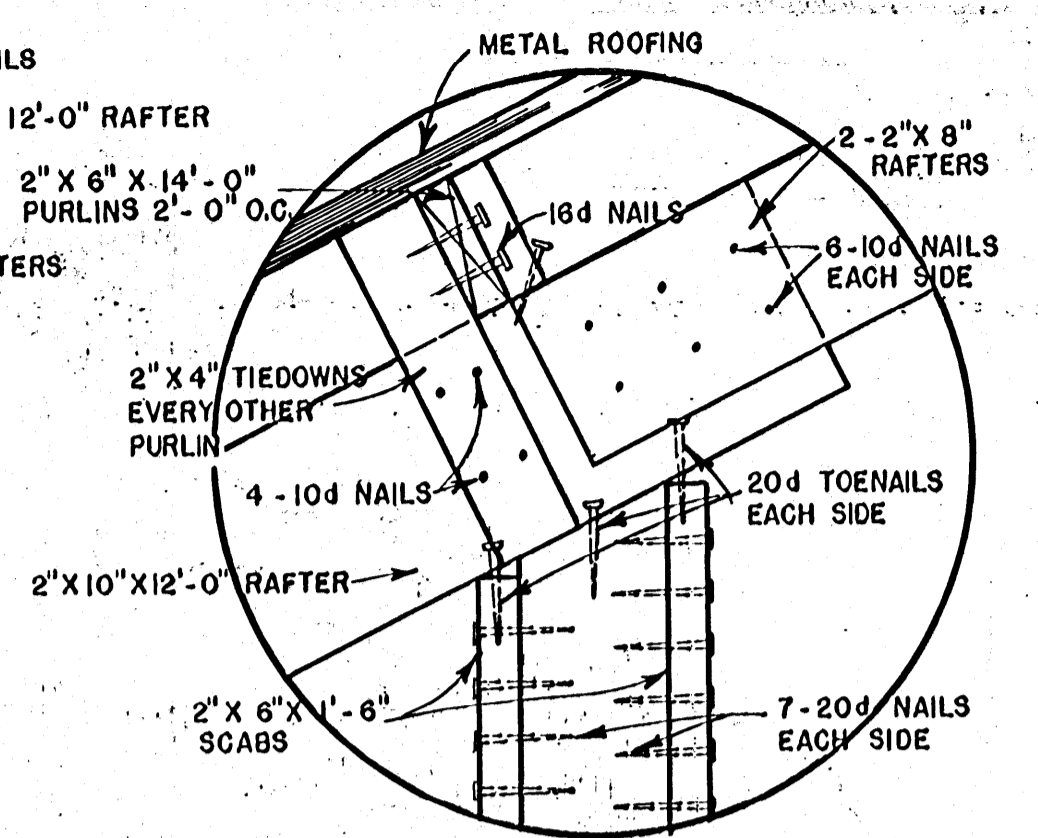


DETAIL A

* PURLIN SPACING TO CONFORM TO MANUFACTURERS RECOMMENDATIONS FOR THE TYPE & THICKNESS OF THE CORRUGATED ROOFING SELECTED.

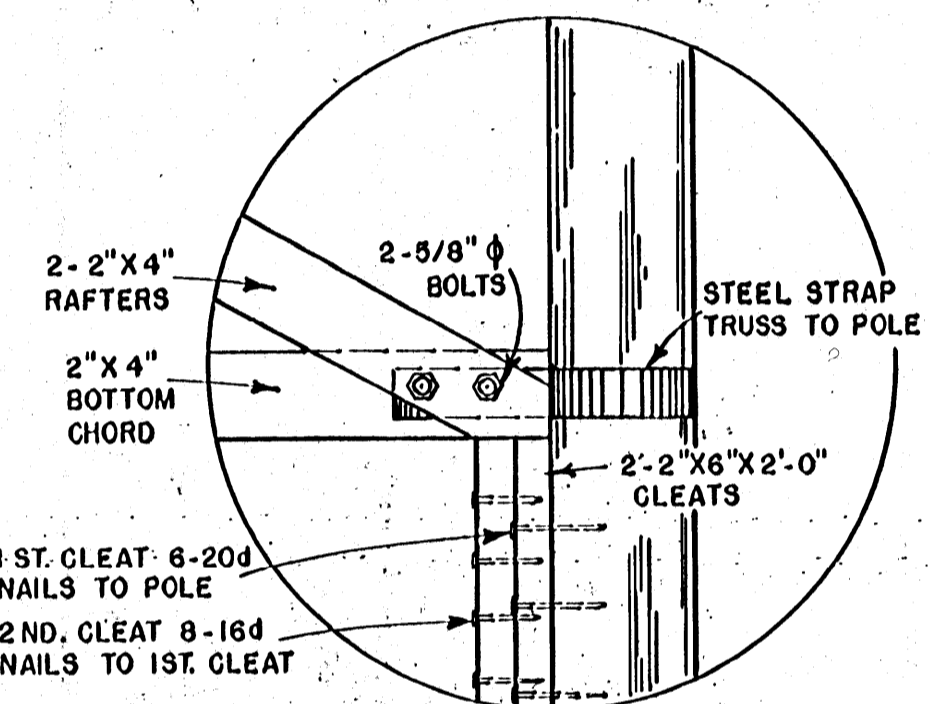


DETAIL B

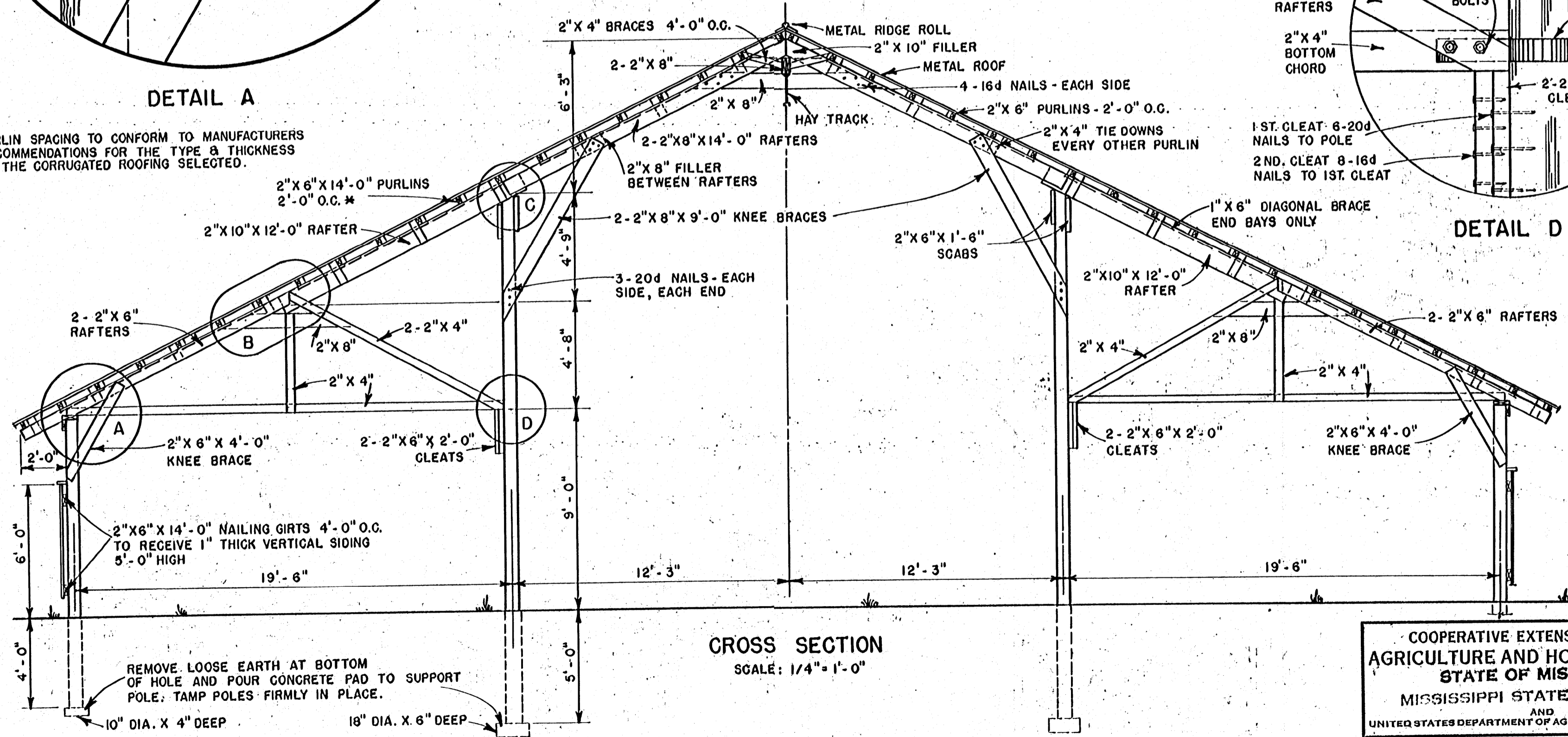


DETAIL C

DETAILS OF FRAMING CONNECTIONS
SCALE: 1 1/2" = 1'-0"



DETAIL D



CROSS SECTION
SCALE: 1/4" = 1'-0"

SEQUENCE OF CONSTRUCTION

NOTE:

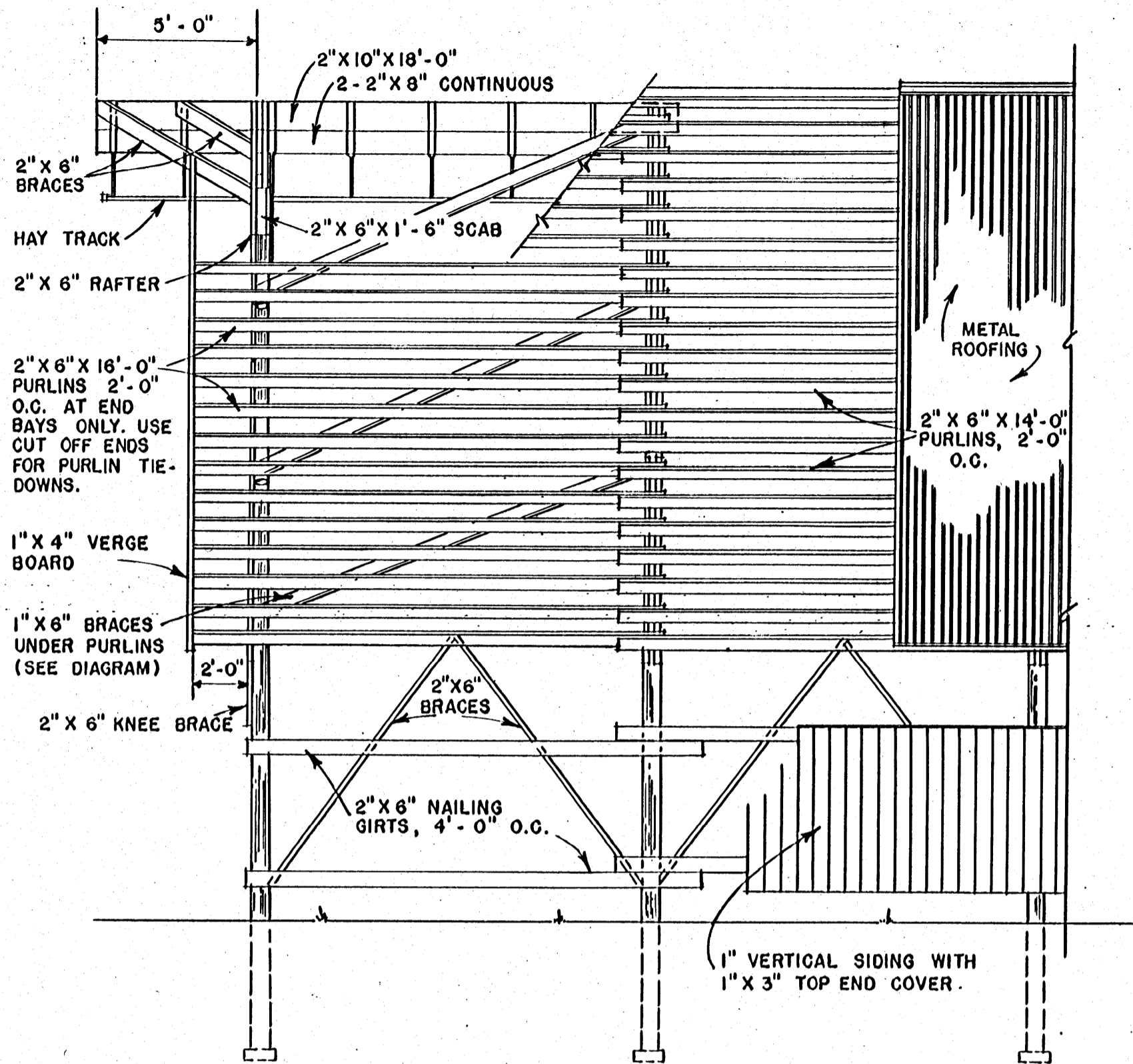
POLES ARE TO HAVE MIN. 6" TOP AND BE PRESSURE TREATED WITH WOOD PRESERVATIVE.

1. SET AND ALIGN POLES, PUT UP WALL BEAMS (DETAIL A) AND POLE CLEAT (DETAIL D).
2. BUILD TRUSSES ON JIG AND LIFT ON TO BEAM AND CLEAT. USE TEMPORARY BRACES TO KEEP PLUMB.
3. PUT ON RAFTERS, KNEE BRACES AND COLLAR TIES.
4. PUT ON PURLINS, ERECTING TEMPORARY SCAFFOLD AS MAY BE NECESSARY, TO COMPLETE FRAMING.

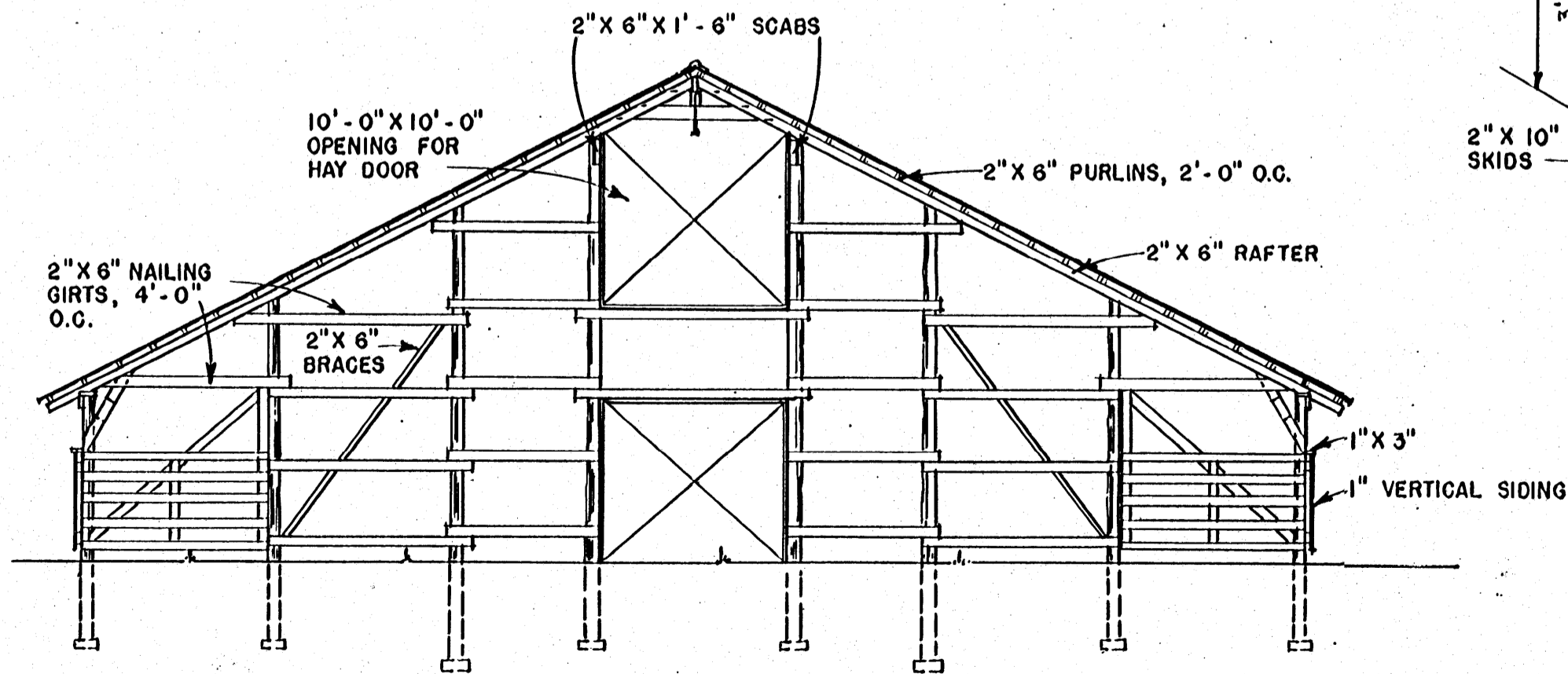
COOPERATIVE EXTENSION WORK IN
AGRICULTURE AND HOME ECONOMICS
STATE OF MISSISSIPPI
MISSISSIPPI STATE UNIVERSITY
AND
UNITED STATES DEPARTMENT OF AGRICULTURE COOPERATING

CATTLE BARN, POLE CONSTRUCTION

USDA '53	EX. 5754	SHEET 2 OF 3
----------	----------	--------------



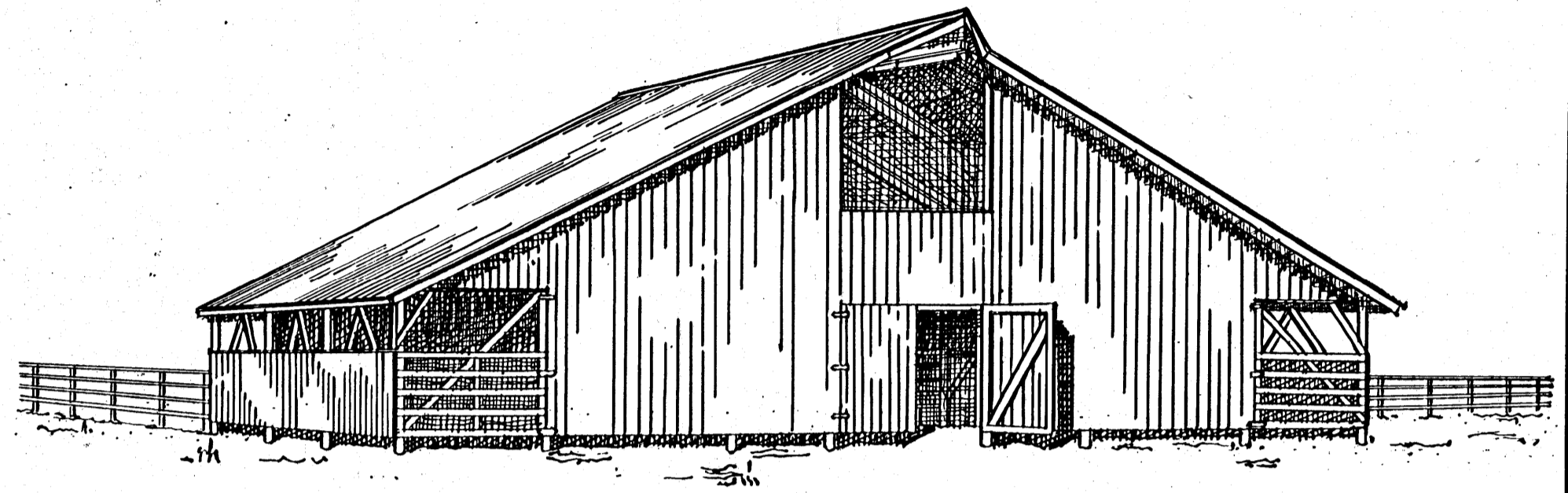
TYPICAL SIDE FRAMING
SCALE: 1/4" = 1'-0"



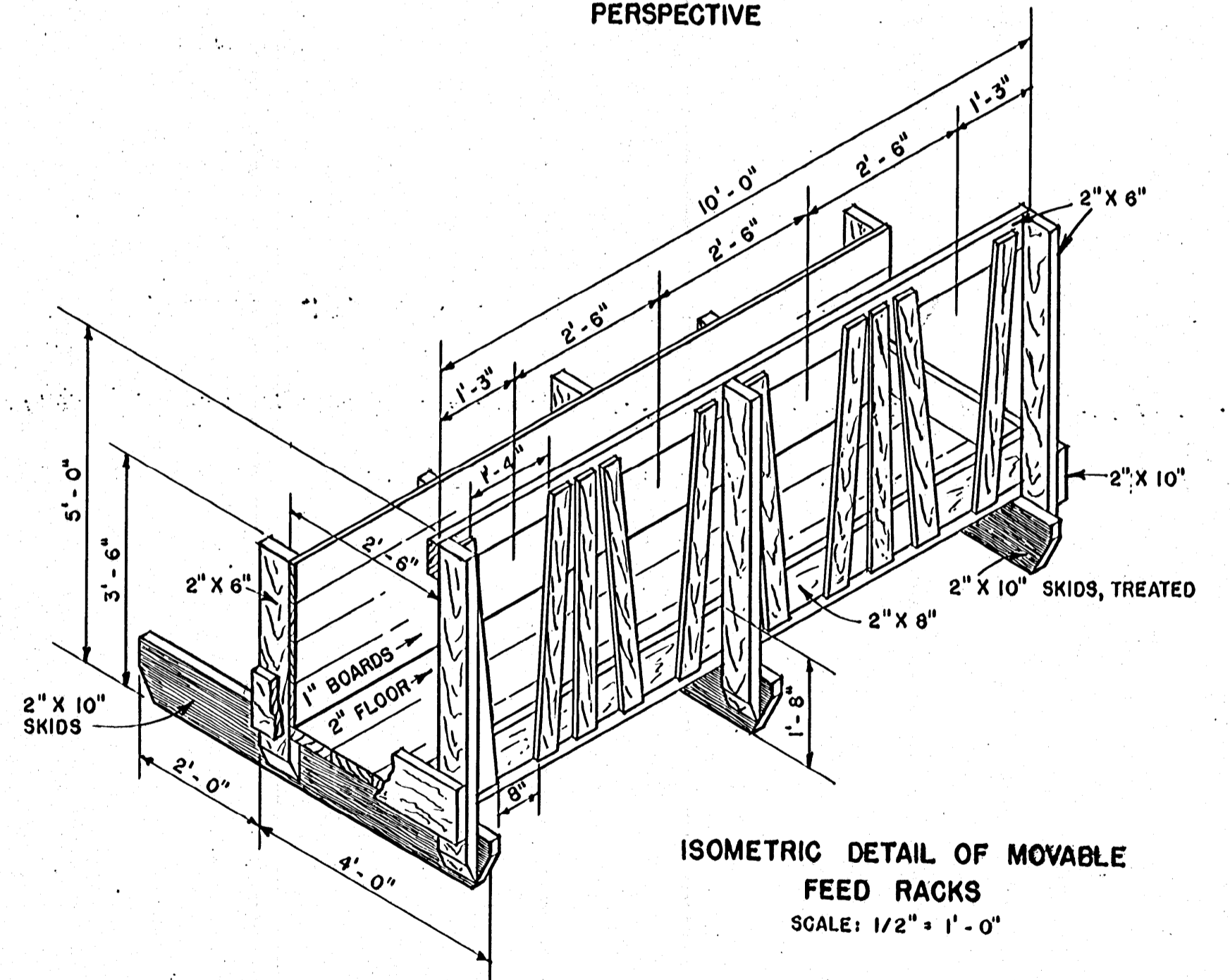
END FRAMING
SCALE: 1/8" = 1'-0"

NOTE:

ROOF IS DESIGNED FOR EQUIVALENT VERTICAL SNOW LOAD OF 10# PER SQ. FT. AND A NET UPLIFT DUE TO WIND OF 11# PER SQ. FT. NORMAL TO ROOF SURFACE. UPLIFT REQUIRES ANCHORING OF RAFTERS TO PURLINS WITH 2" X 4" TIES WITH 4-10d NAILS, EACH END.



PERSPECTIVE



ISOMETRIC DETAIL OF MOVABLE
FEED RACKS

SCALE: 1/2" = 1'-0"

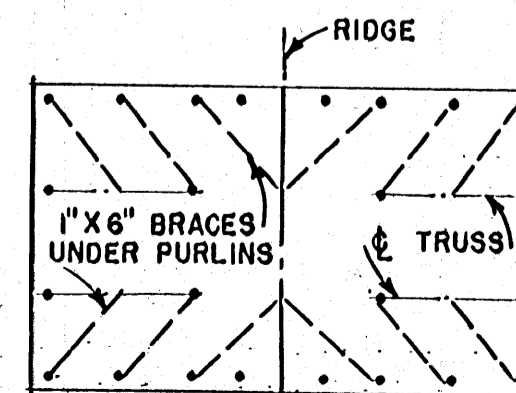


DIAGRAM SHOWING
DIAGONAL BRACES
UNDER PURLINS

COOPERATIVE EXTENSION WORK IN
AGRICULTURE AND HOME ECONOMICS
STATE OF MISSISSIPPI
MISSISSIPPI STATE UNIVERSITY
AND
UNITED STATES DEPARTMENT OF AGRICULTURE COOPERATING

CATTLE BARN, POLE CONSTRUCTION

USDA '53	EX. 5754	SHEET 3 OF 3
----------	----------	--------------