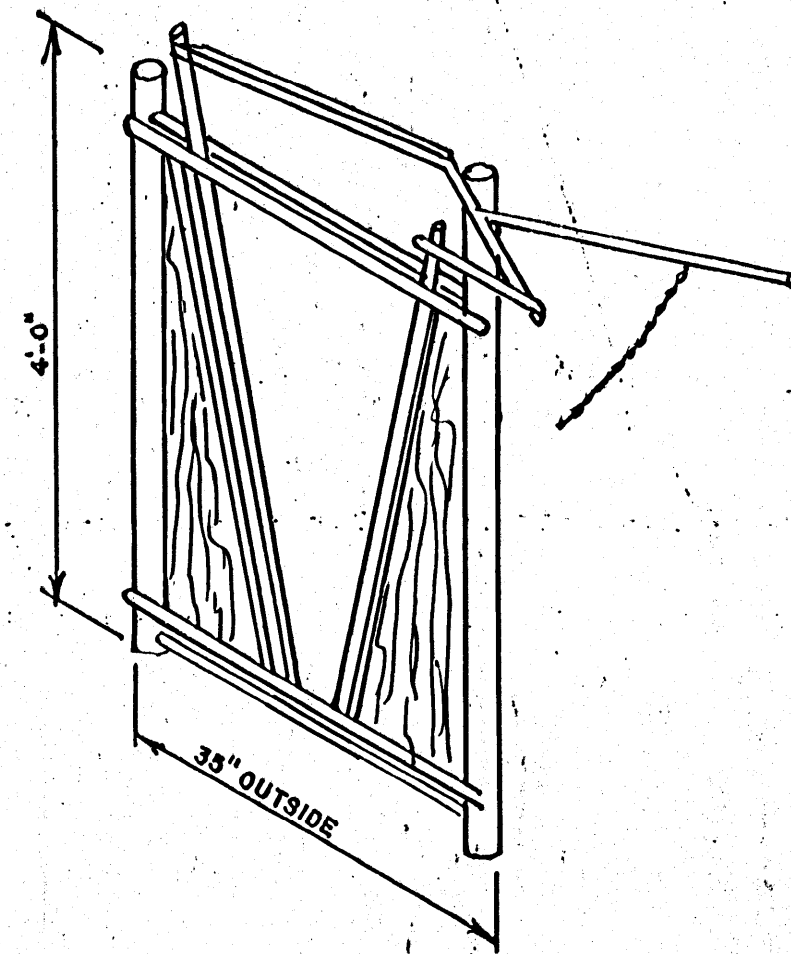
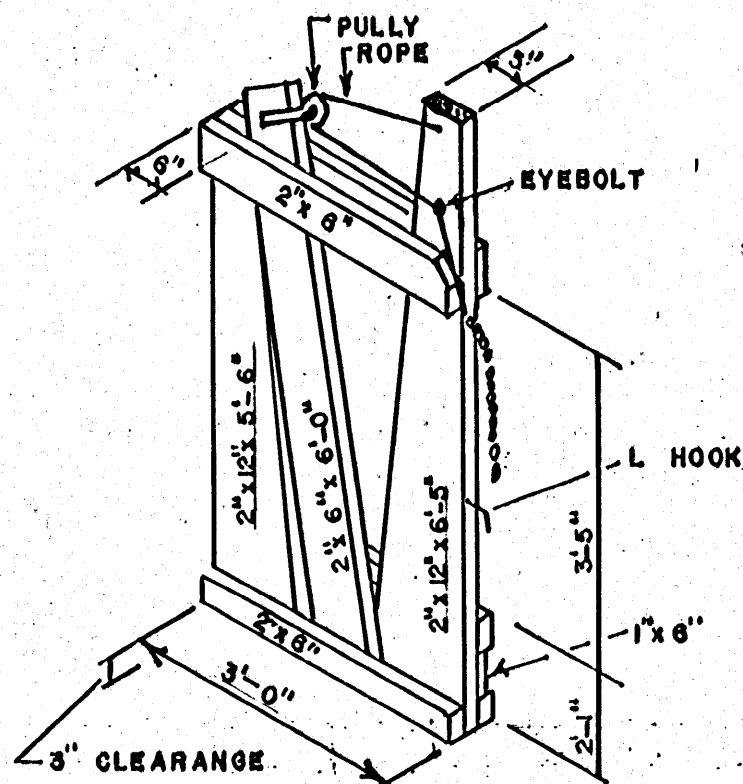


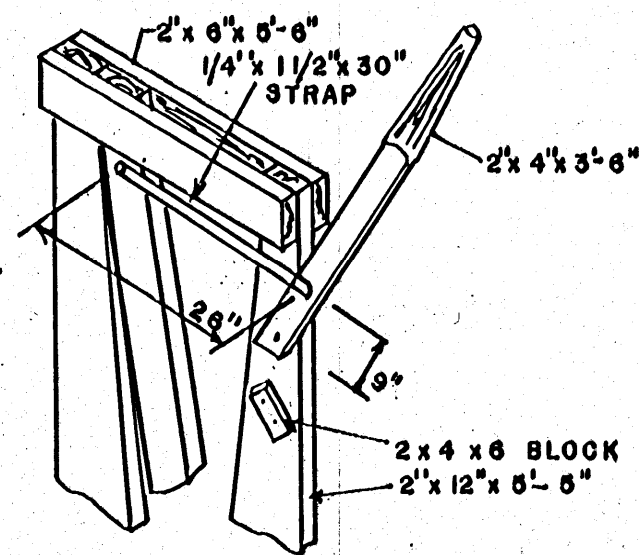
LEVER DETAIL



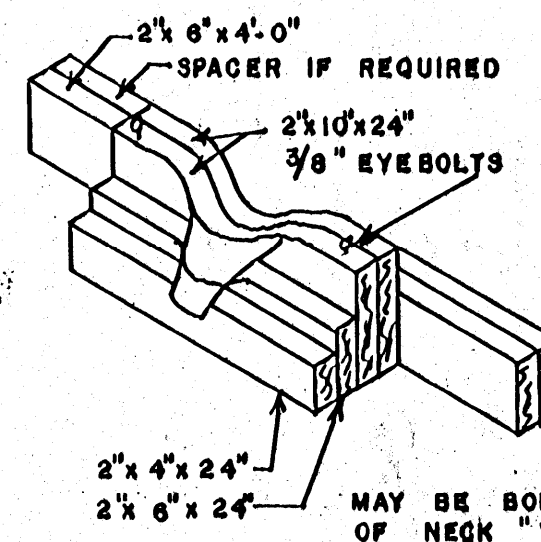
METAL — SWING OPEN



WOOD SWING OPEN



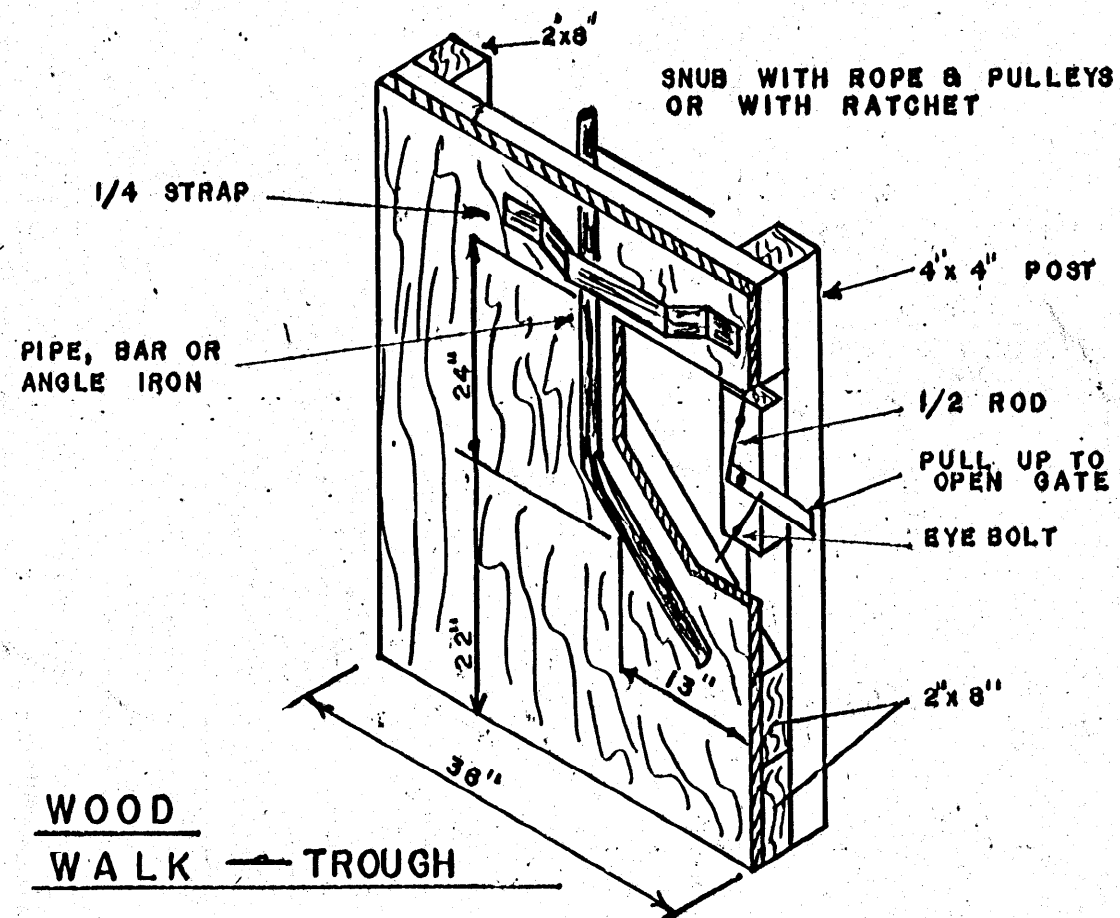
OPTION



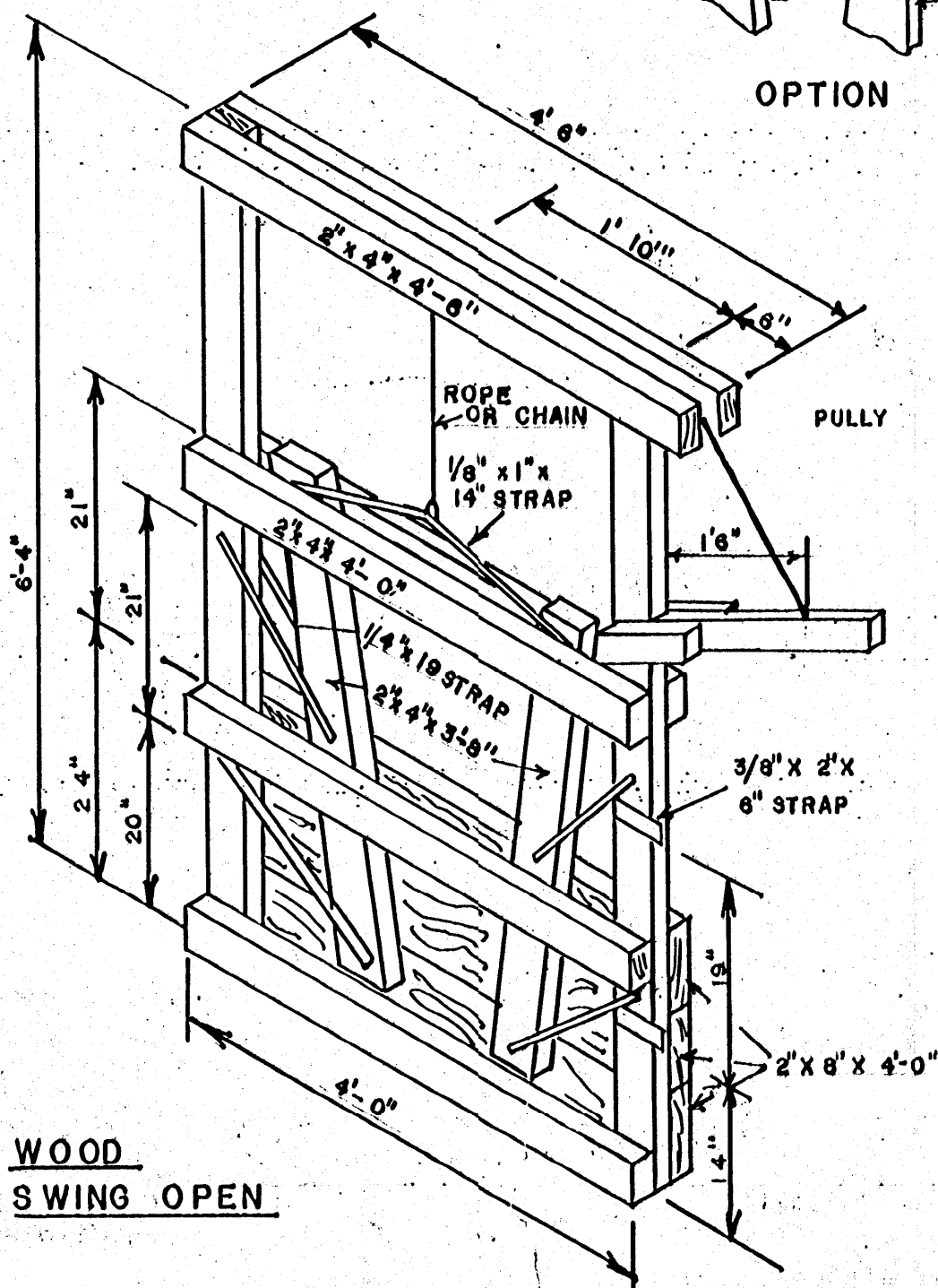
MAY BE BOLTED AT BOTTOM OF NECK "V" ON ANY HEADGATE.

CHIN BLOCK

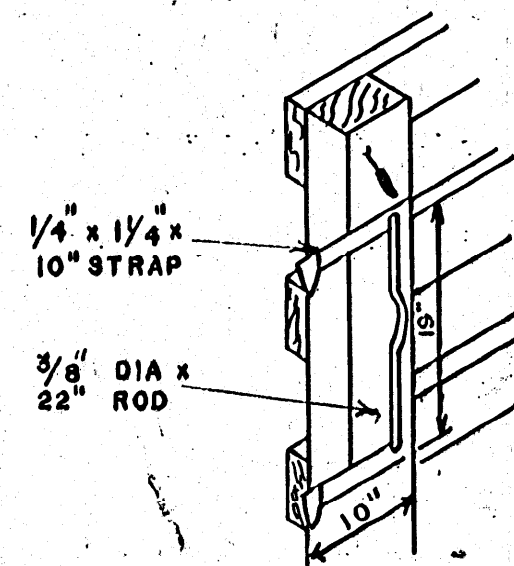
USE ROUGH OAK FOR FRAMING



WOOD WALK TROUGH



WOOD SWING OPEN



LATCH DETAIL

HEADGATES	
COOPERATIVE EXTENSION SERVICE STATE OF MISSISSIPPI MISSISSIPPI STATE UNIVERSITY AND UNITED STATES DEPARTMENT OF AGRICULTURE COOPERATING	
DRAWN BY: R. F. W.	CHECK BY: L. M.
DATE: MAY '75	DWG. NO. 5778-B SHT. 1 OF 1