

NOTE:
SPACE POSTS TO ALLOW
2" CLEARANCE ON EACH
SIDE OF GATE

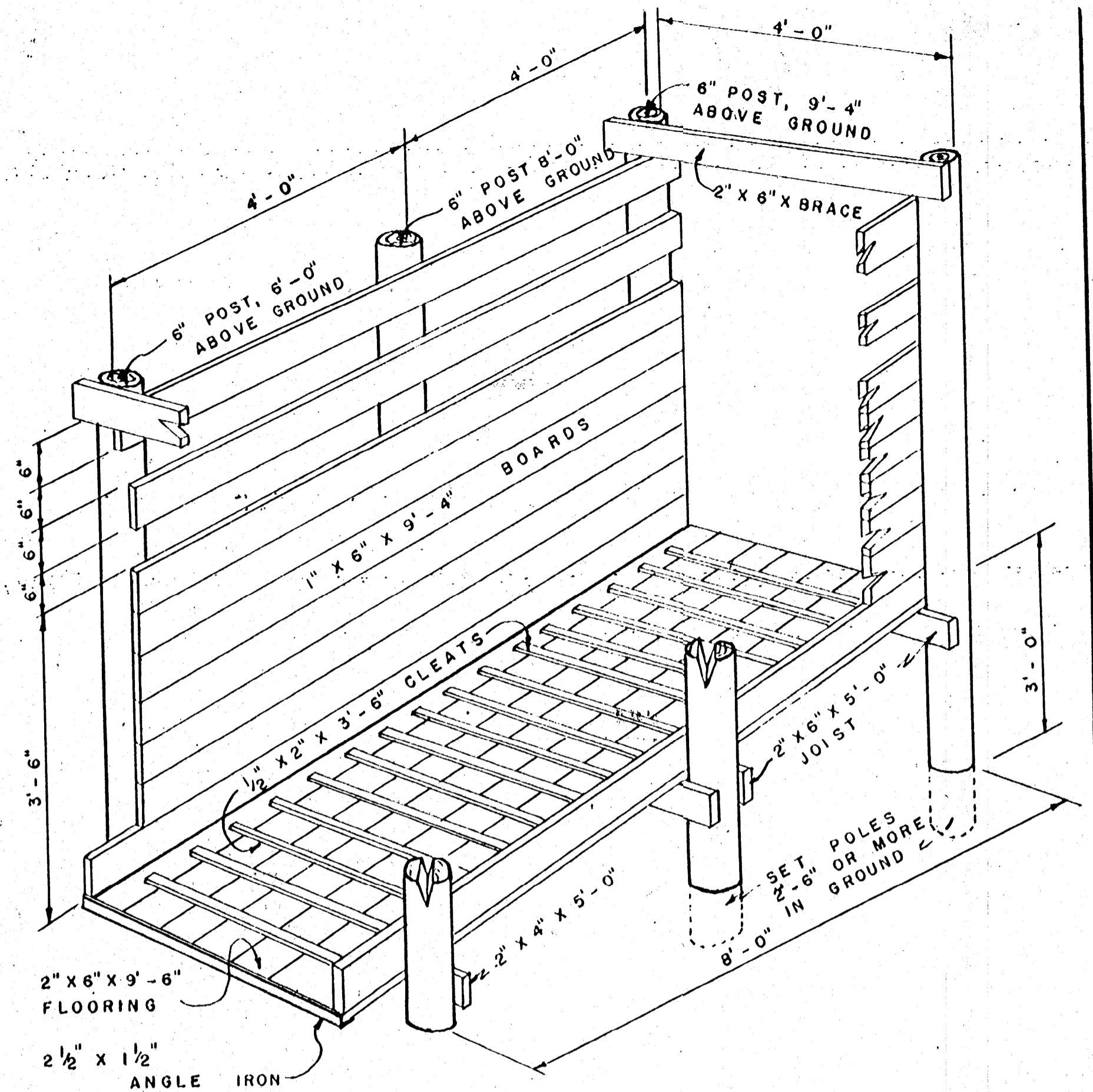
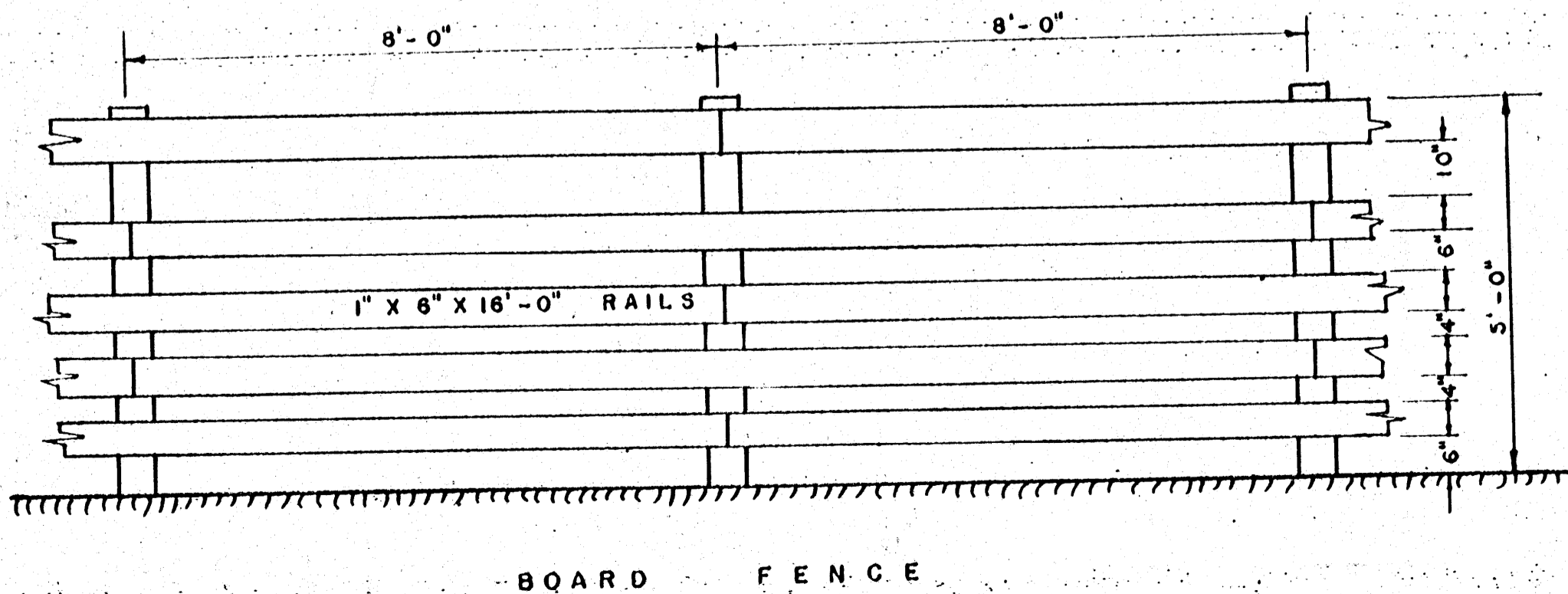
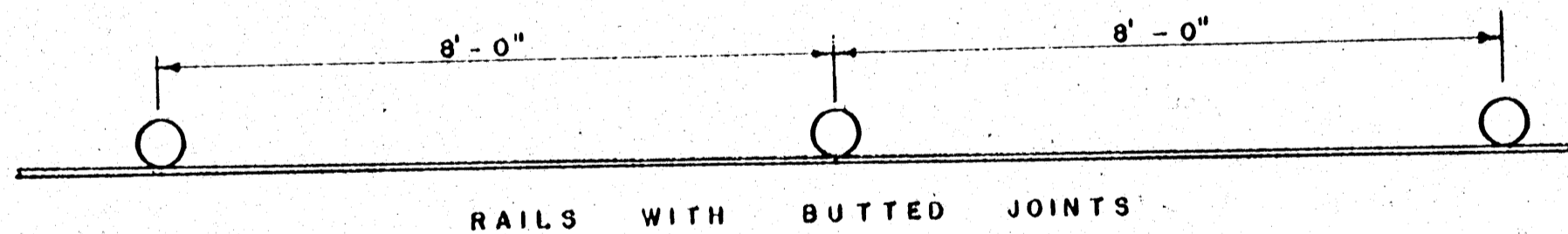
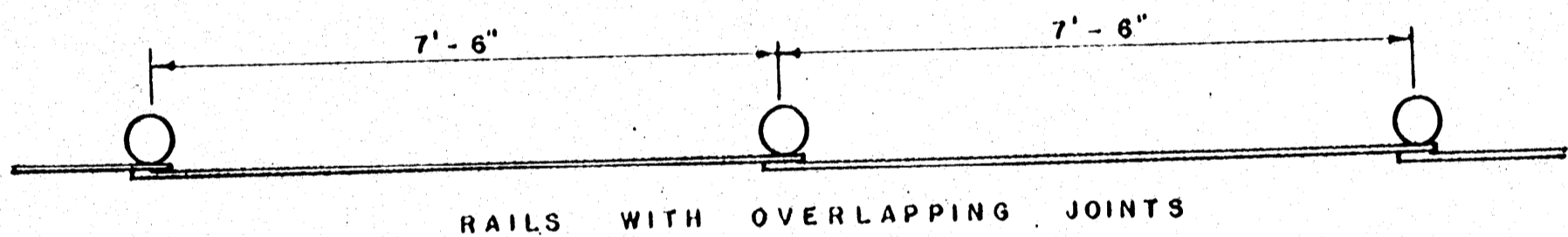
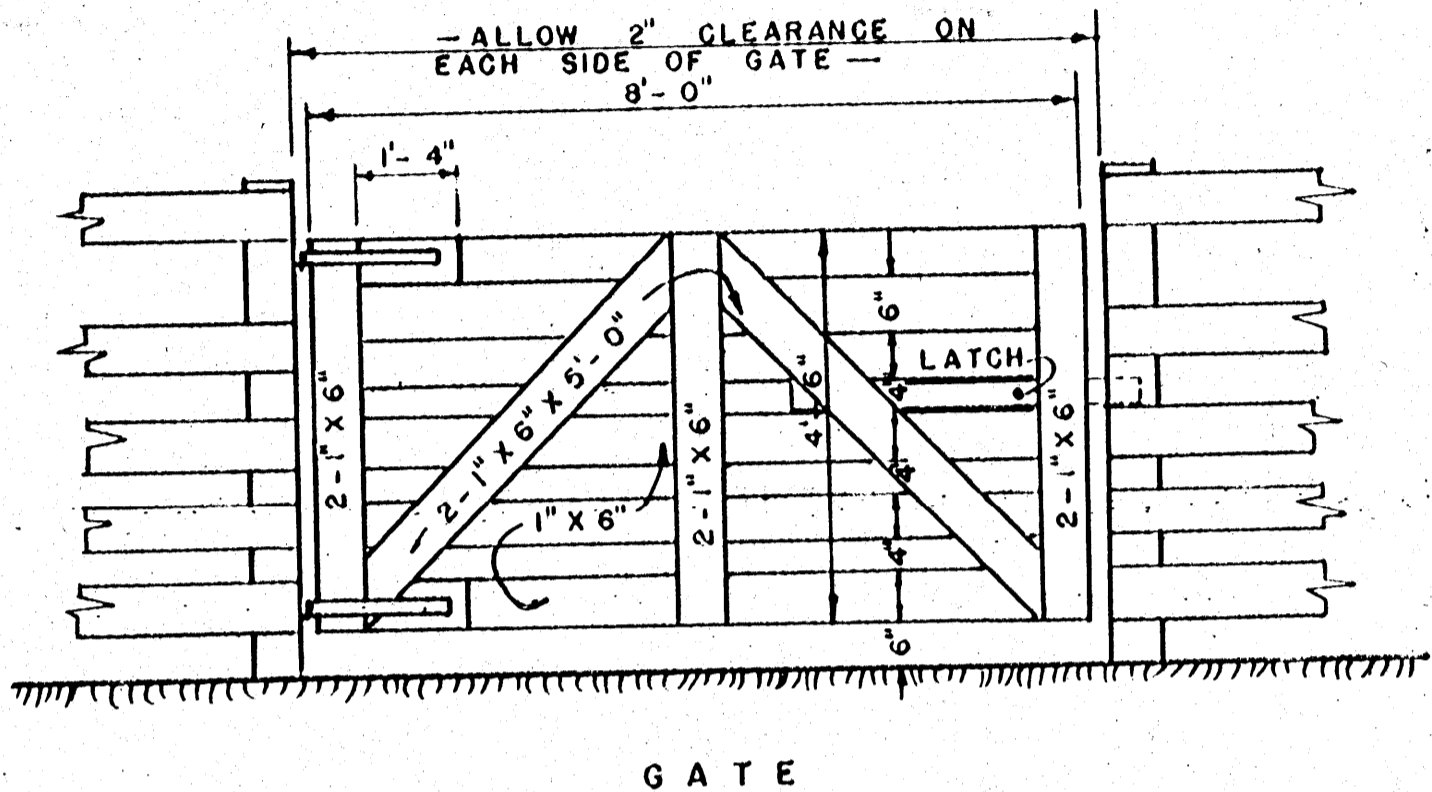
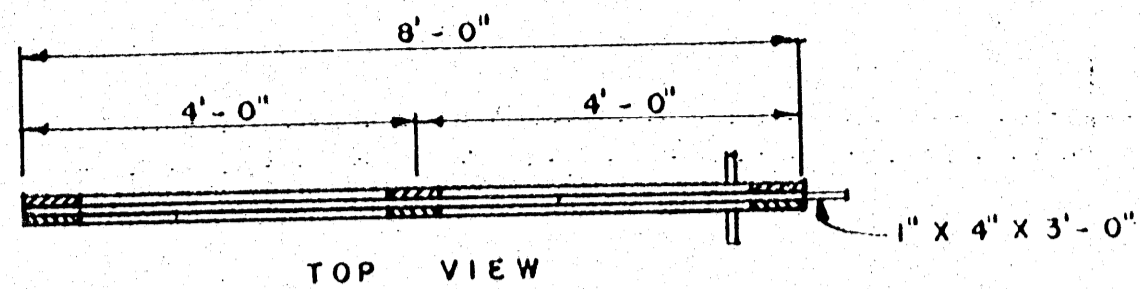
ALL WOOD IN CONTACT WITH
EARTH SHOULD BE PRESSURE
TREATED WITH PRESERVATIVE.

P L A N

COOPERATIVE EXTENSION WORK IN
AGRICULTURE AND HOME ECONOMICS
STATE OF MISSISSIPPI
MISSISSIPPI STATE UNIVERSITY
UNITED STATES DEPARTMENT OF AGRICULTURE COOPERATING

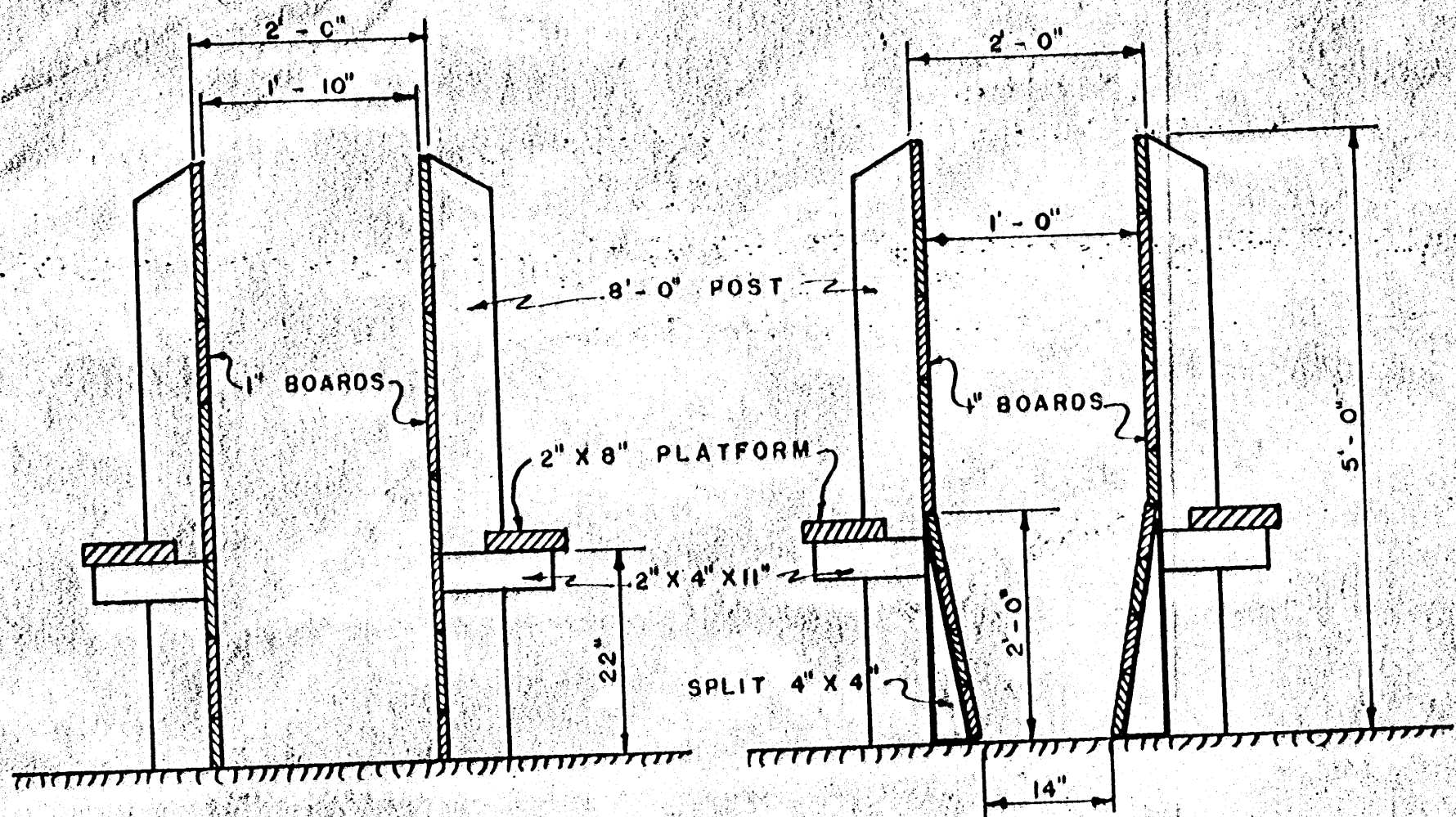
TWO-PEN CORRAL

VA. '54 EX. 5796 SHEET 1 OF 4

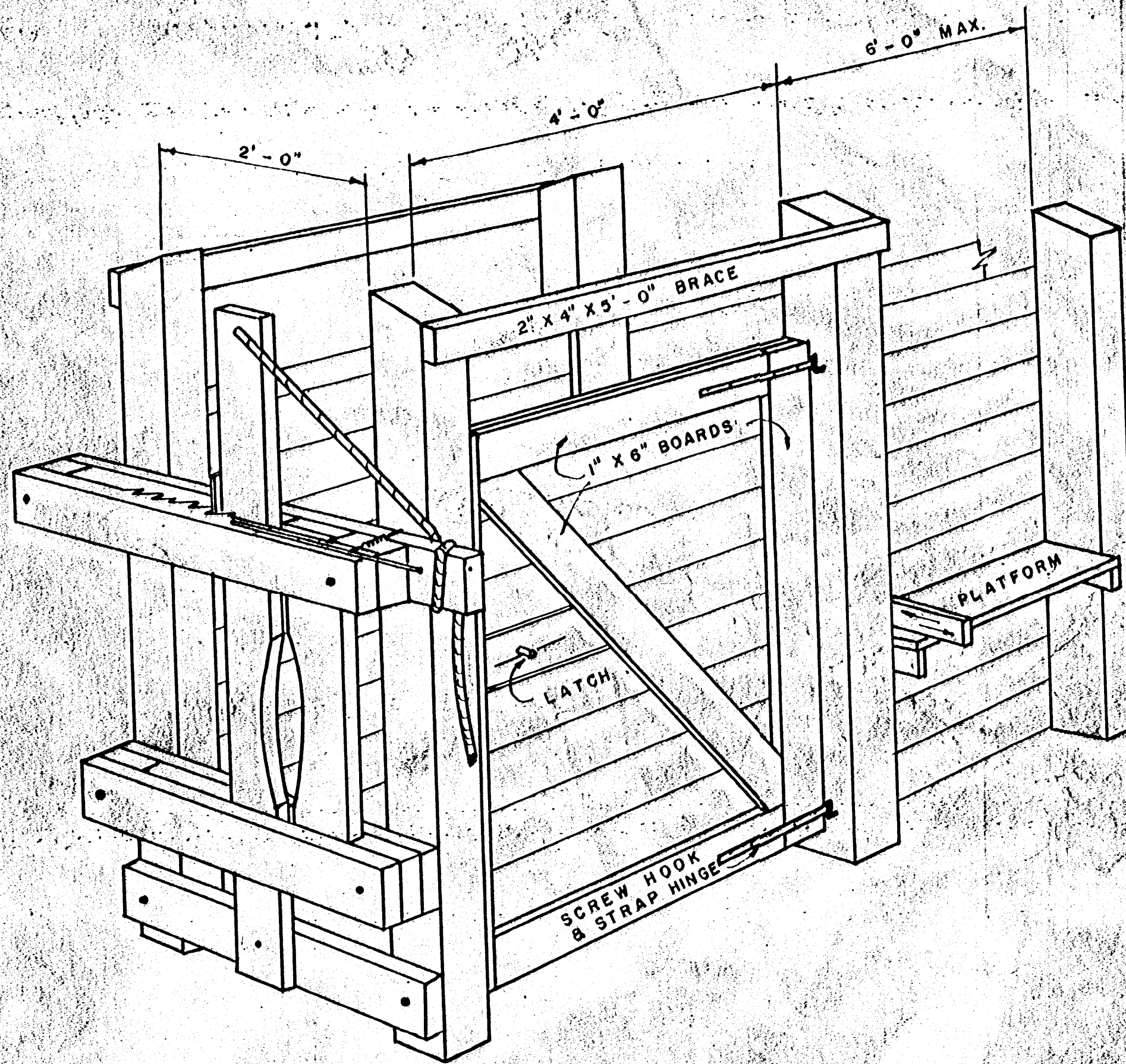


NOTE:
FENCE POSTS SHOULD BE
SET ABOUT 3'-0" IN GROUND.

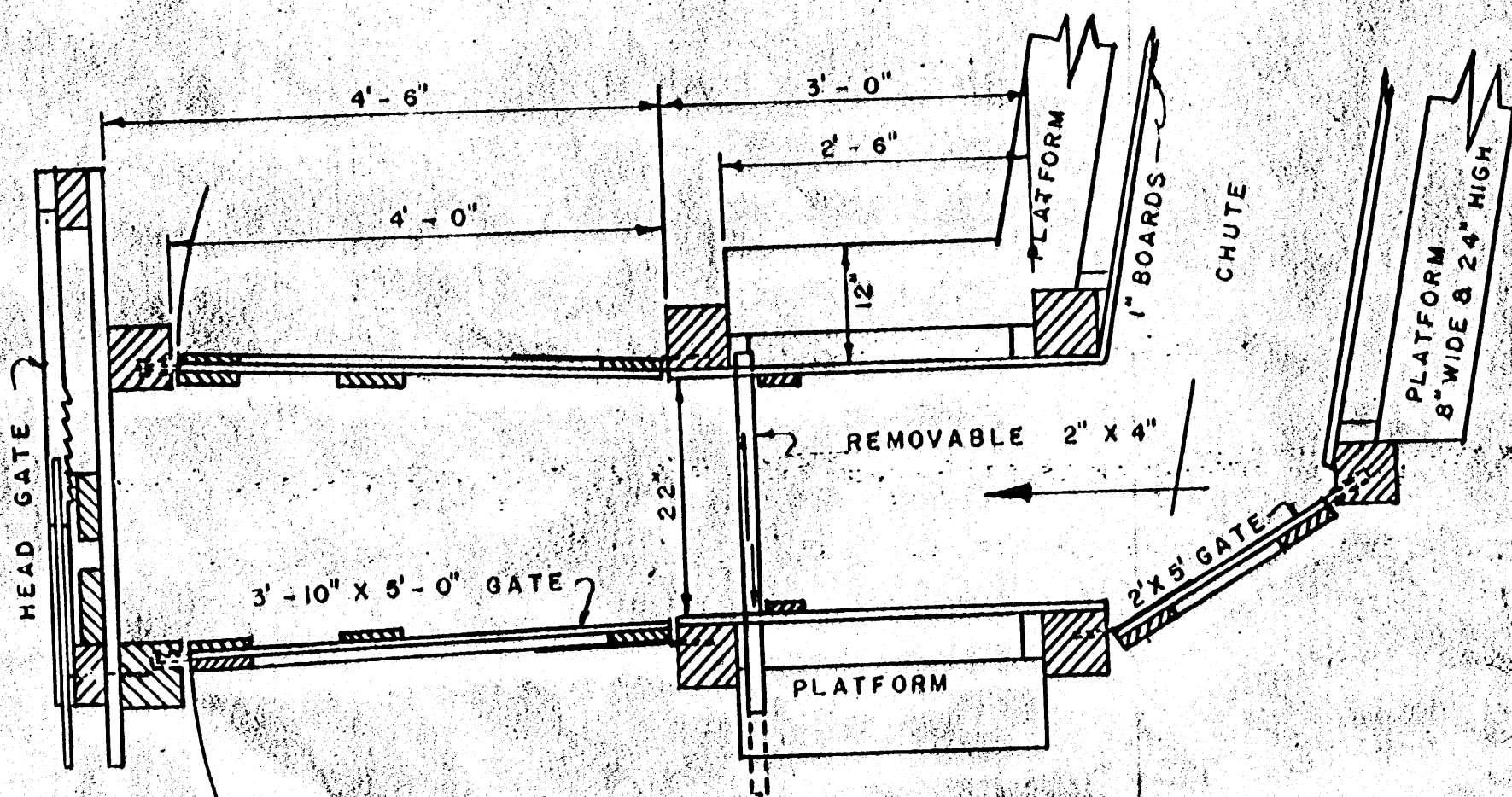
COOPERATIVE EXTENSION WORK IN AGRICULTURE AND HOME ECONOMICS		
STATE OF MISSISSIPPI MISSISSIPPI STATE UNIVERSITY UNITED STATES DEPARTMENT OF AGRICULTURE COOPERATING		
TWO-PEN CORRAL		
VA.	'54 EX. 5796	SHEET 2 OF 4



STRAIGHT SIDES
SLANTED SIDES
CROSS SECTION OF CHUTE



PERSPECTIVE

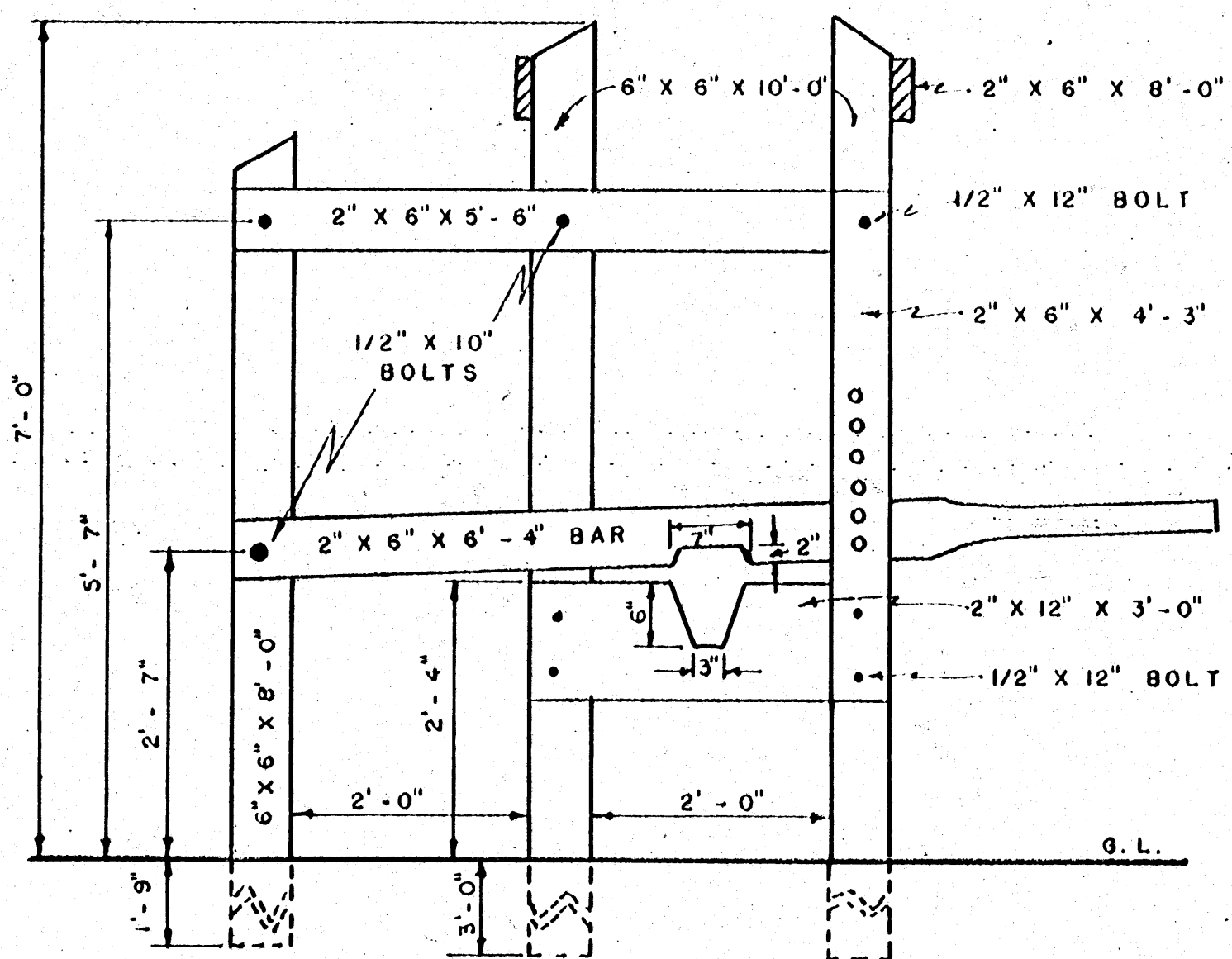


PLAN FOR HEAD GATE, EXIT GATE & CHUTE

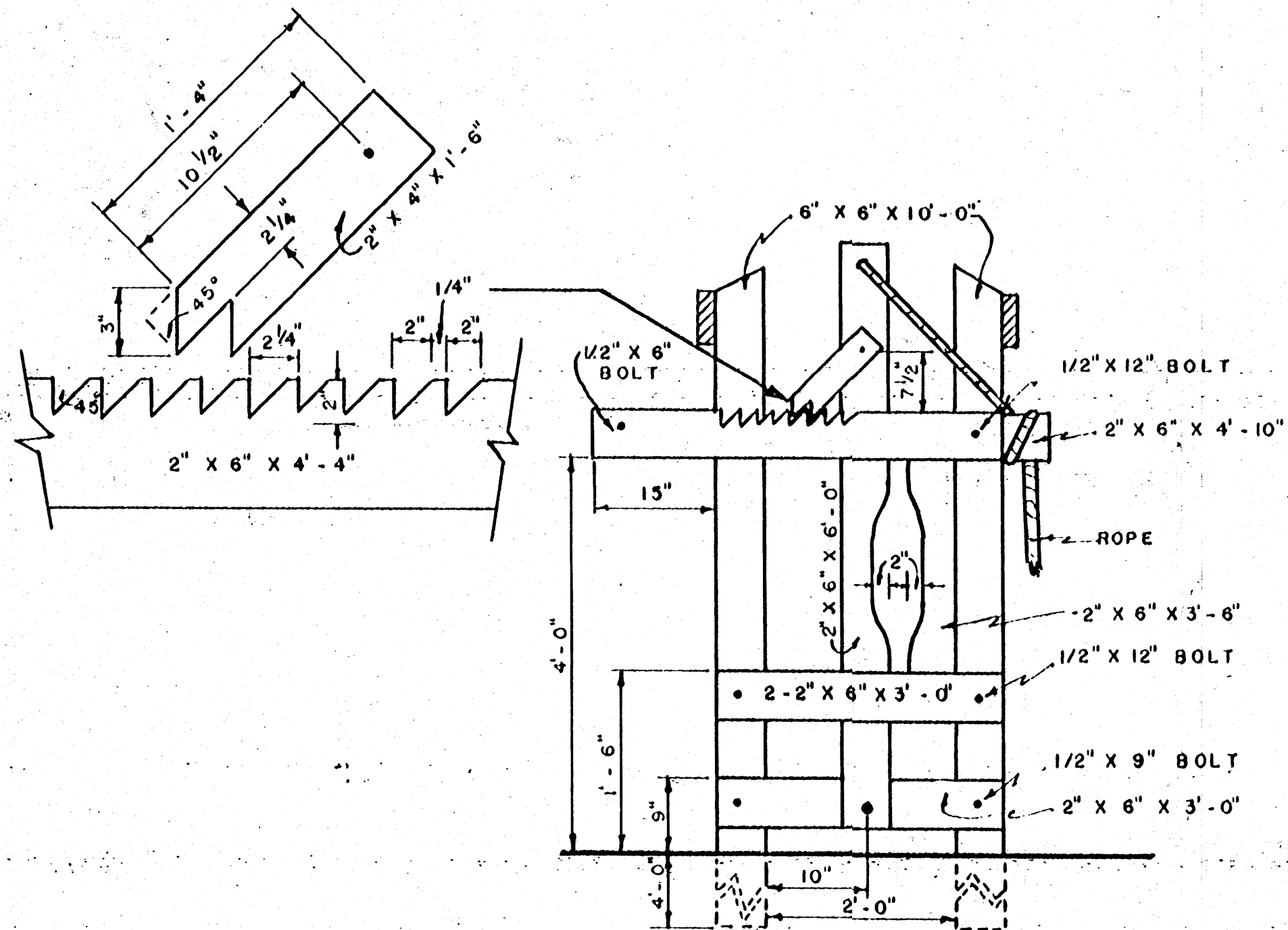
COOPERATIVE EXTENSION WORK IN
AGRICULTURE AND HOME ECONOMICS
STATE OF MISSISSIPPI
MISSISSIPPI STATE UNIVERSITY
UNITED STATES DEPARTMENT OF AGRICULTURE COOPERATING

TWO-PEN CORRAL

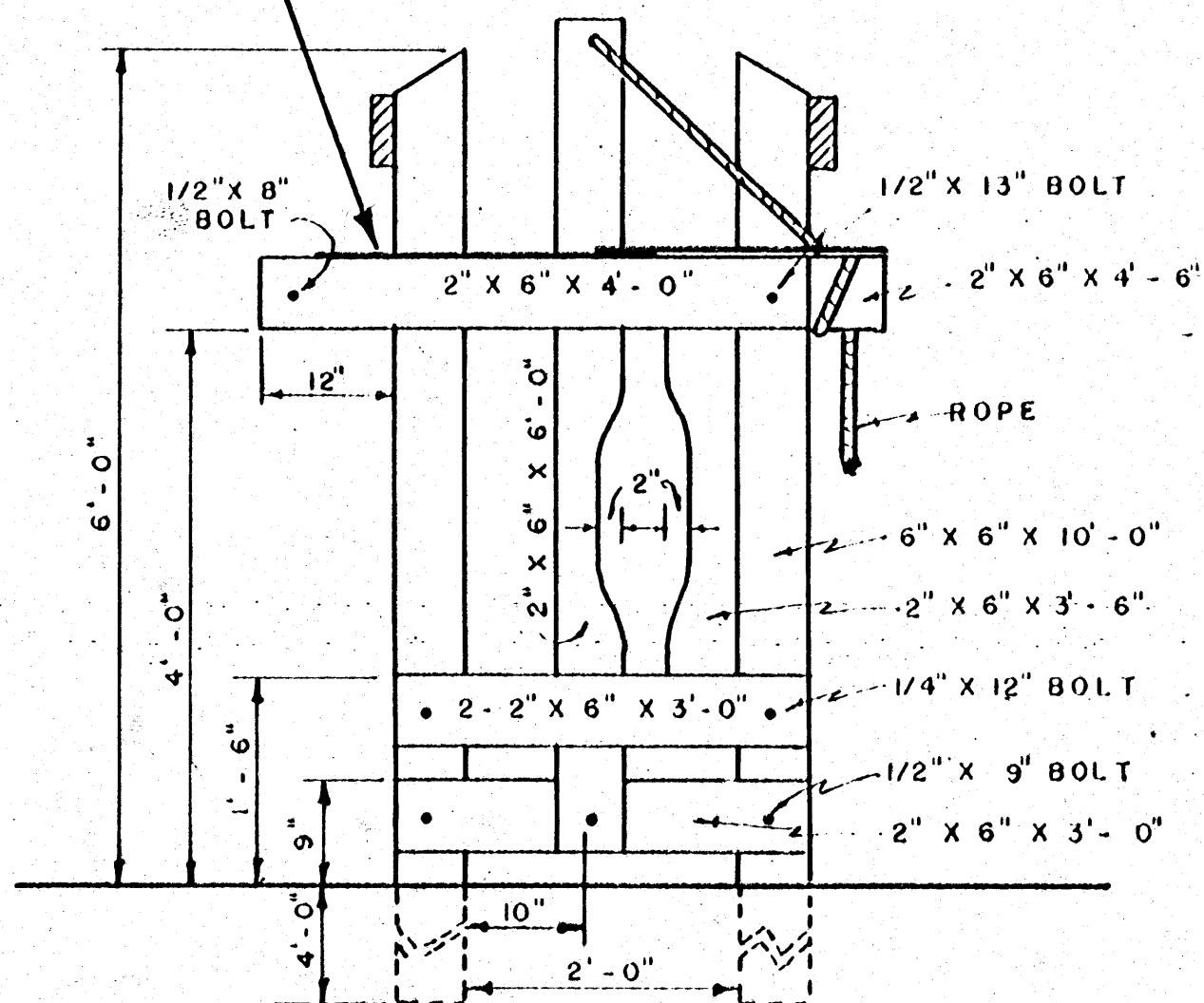
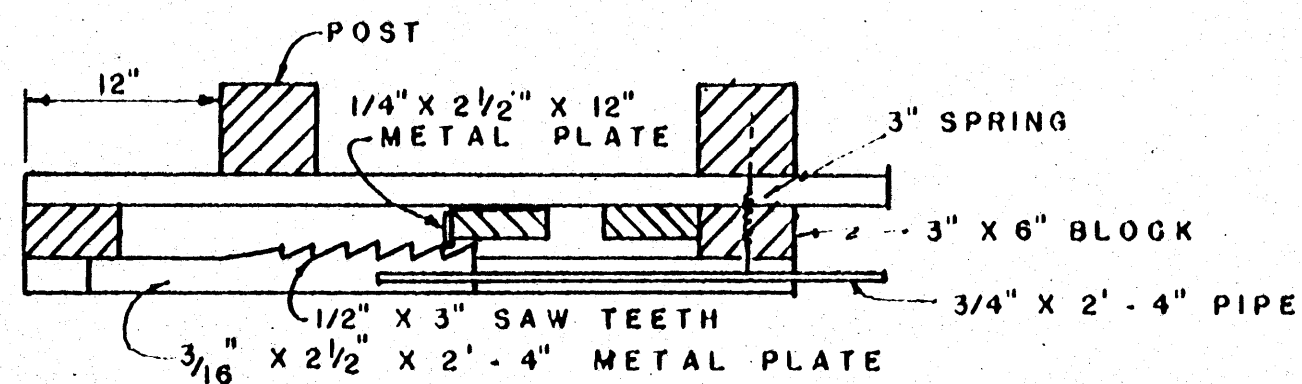
VA. 54 EX. 5796 SHEET 3 OF 4



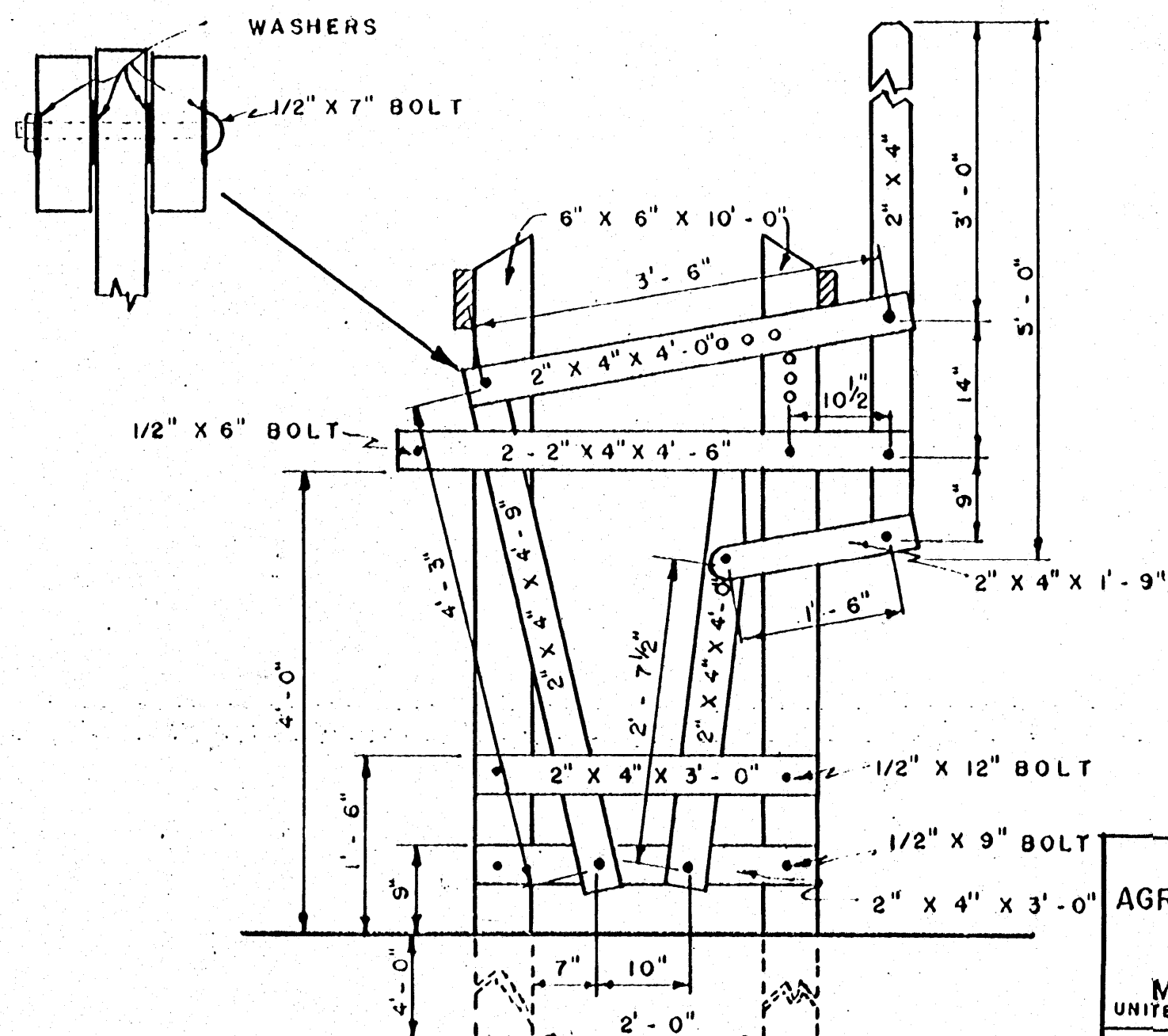
HEAD GATE NO. 4



HEAD GATE NO. 2



HEAD GATE NO. 1



HEAD GATE NO. 3

COOPERATIVE EXTENSION WORK IN
 AGRICULTURE AND HOME ECONOMICS
 STATE OF MISSISSIPPI
 MISSISSIPPI STATE UNIVERSITY
 UNITED STATES DEPARTMENT OF AGRICULTURE COOPERATING

TWO-PEN CORRAL

VA. '54 EX. 5796 SHEET 4 OF 4