

NOTE:
 SPACE POSTS TO ALLOW
 2" CLEARANCE ON EACH
 SIDE OF GATE.

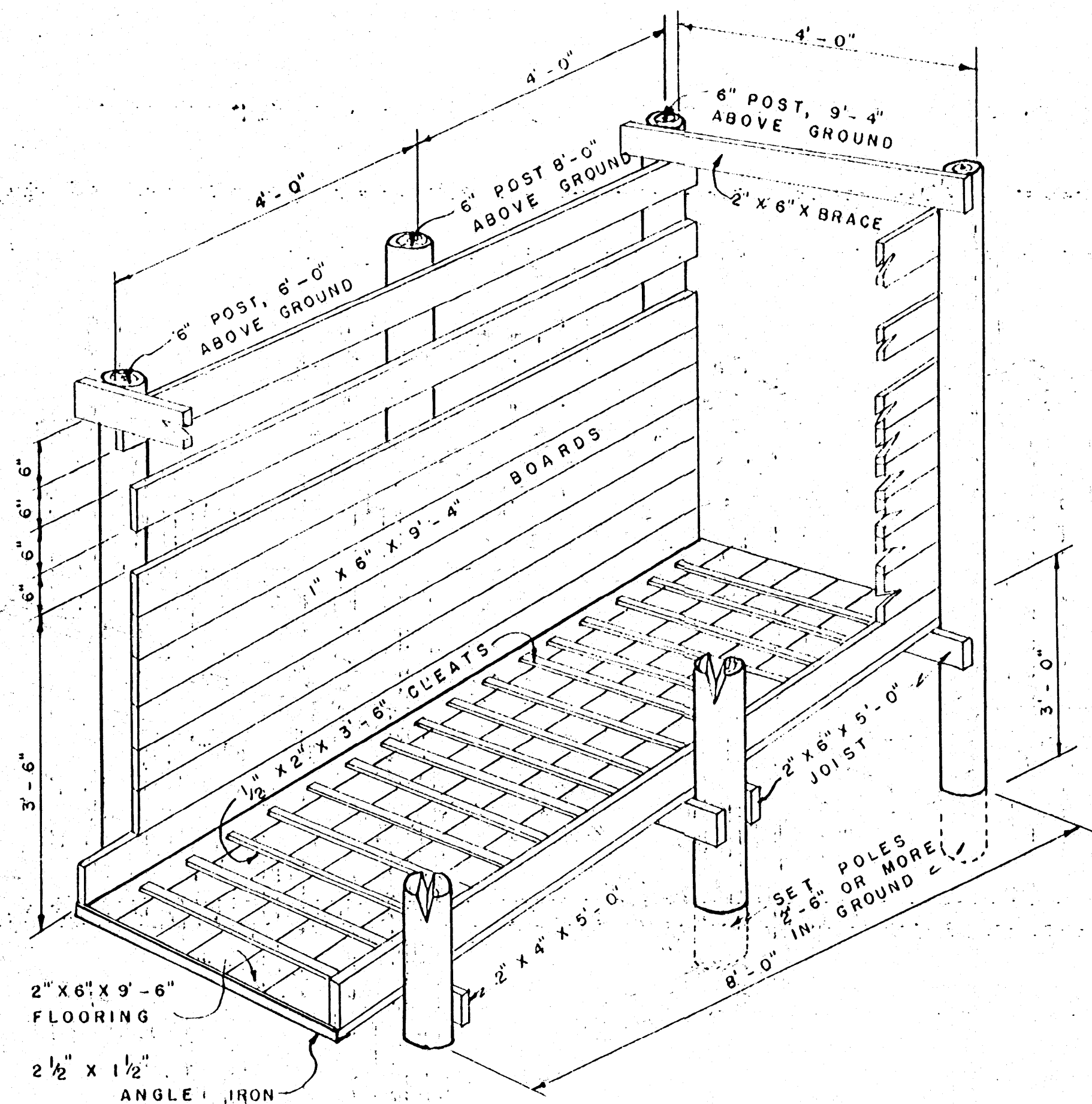
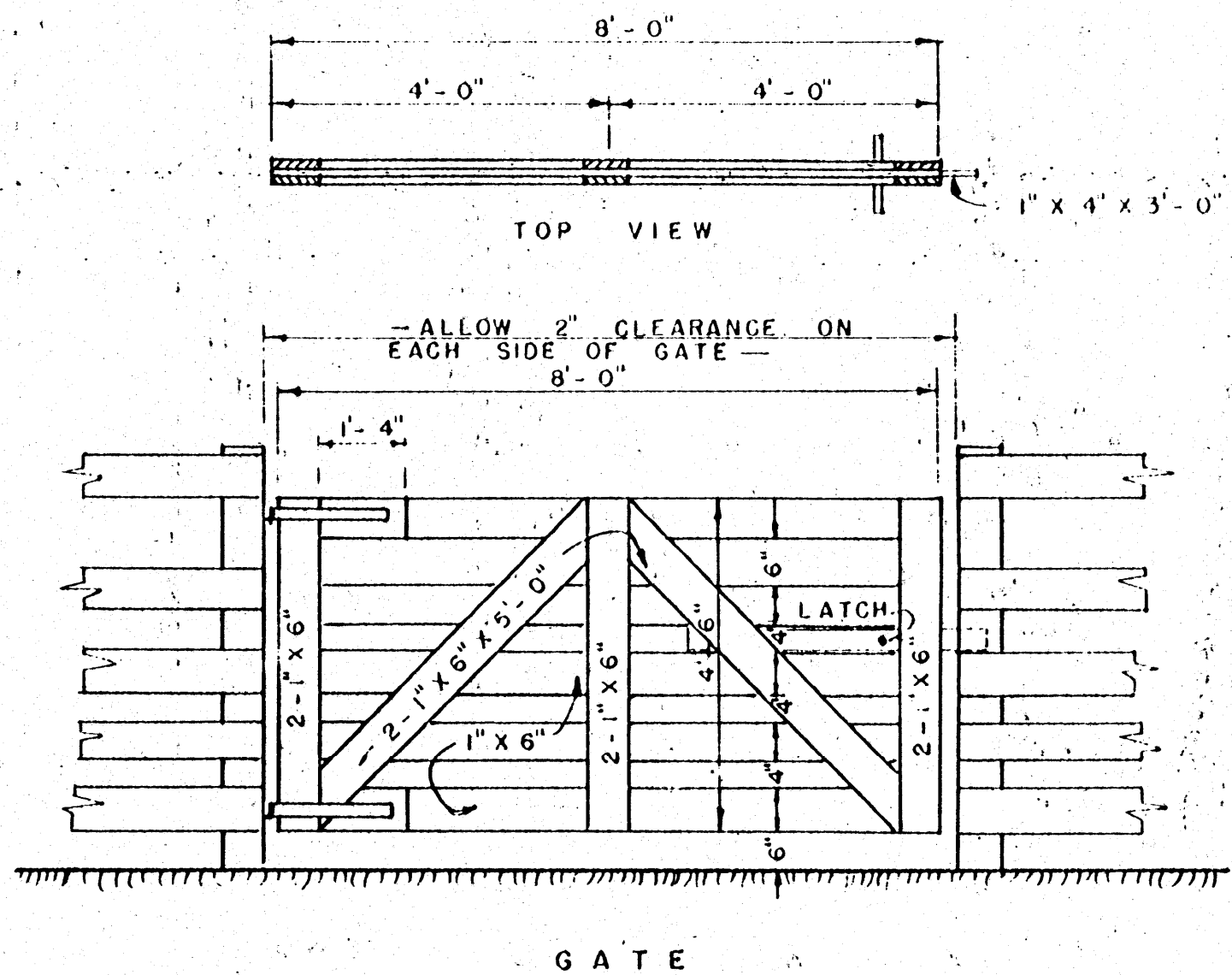
ALL WOOD IN CONTACT WITH
 EARTH SHOULD BE PRESSURE-
 TREATED WITH PRESERVATIVE.

COOPERATIVE EXTENSION WORK IN
 AGRICULTURE AND HOME ECONOMICS
 STATE OF MISSISSIPPI
 MISSISSIPPI STATE UNIVERSITY
 UNITED STATES DEPARTMENT OF AGRICULTURE COOPERATING

SIX - PEN CORRAL

VA. '54 EX. 5797 SHEET 1 OF 4

P L A N

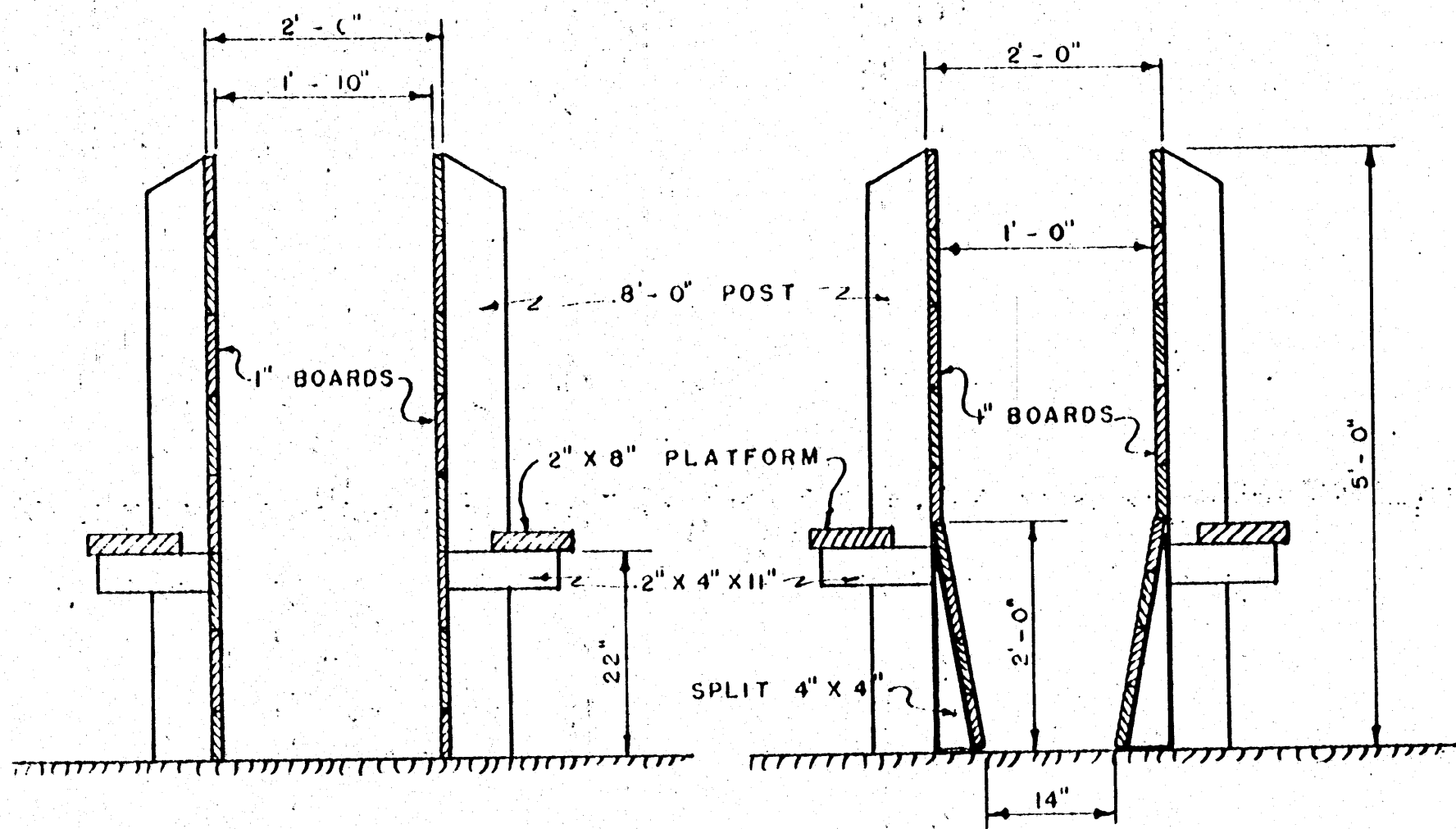


NOTE:
FENCE POSTS SHOULD BE
SET ABOUT 3'-0" IN GROUND.

COOPERATIVE EXTENSION WORK IN
AGRICULTURE AND HOME ECONOMICS
STATE OF MISSISSIPPI
MISSISSIPPI STATE UNIVERSITY
UNITED STATES DEPARTMENT OF AGRICULTURE COOPERATING

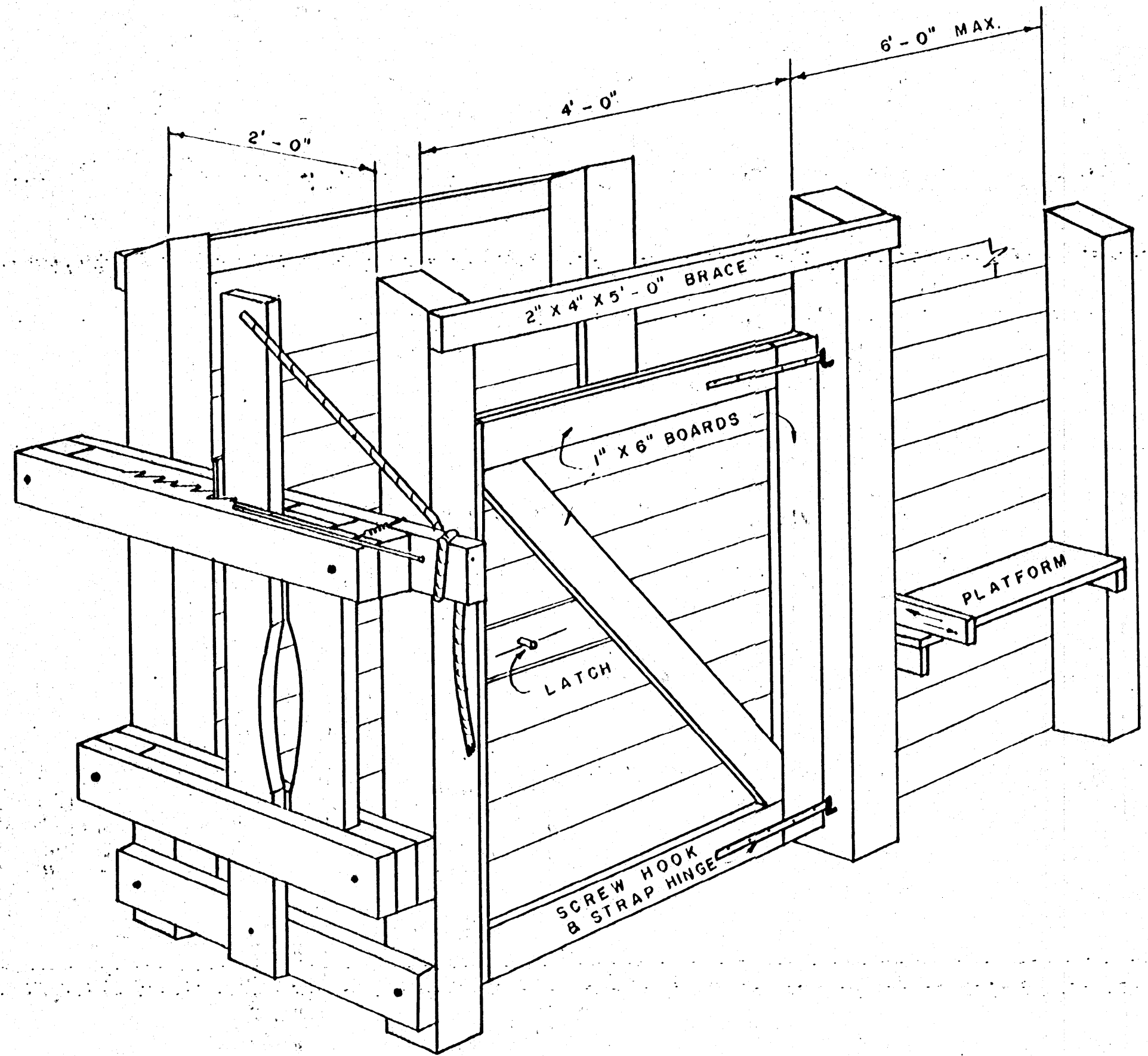
SIX-PEN CORRAL

VA. 54 EX. 5797 SHEET 2 OF 4

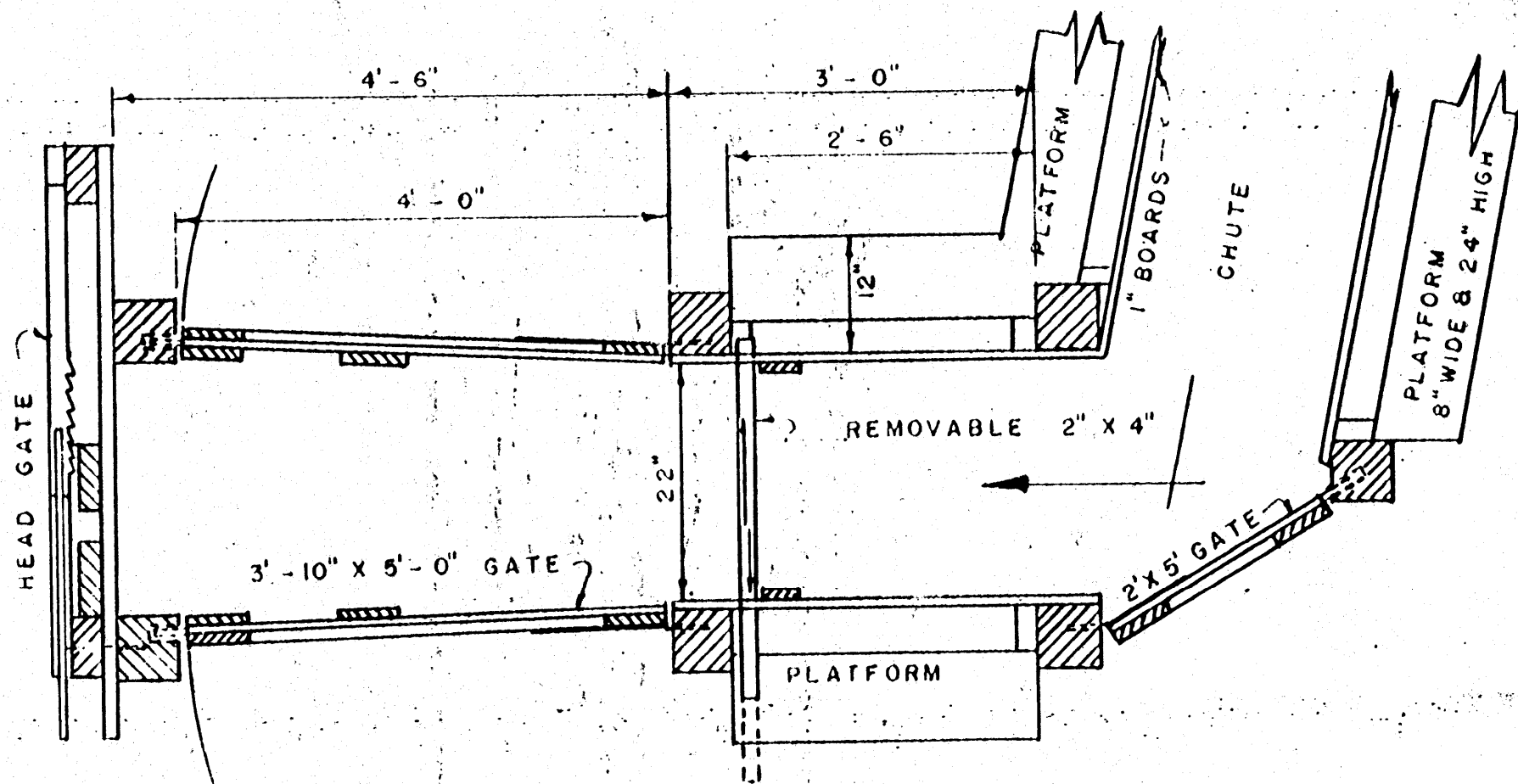


STRAIGHT SIDES
CROSS SECTION OF CHUTE

SLANTED SIDES



PERSPECTIVE

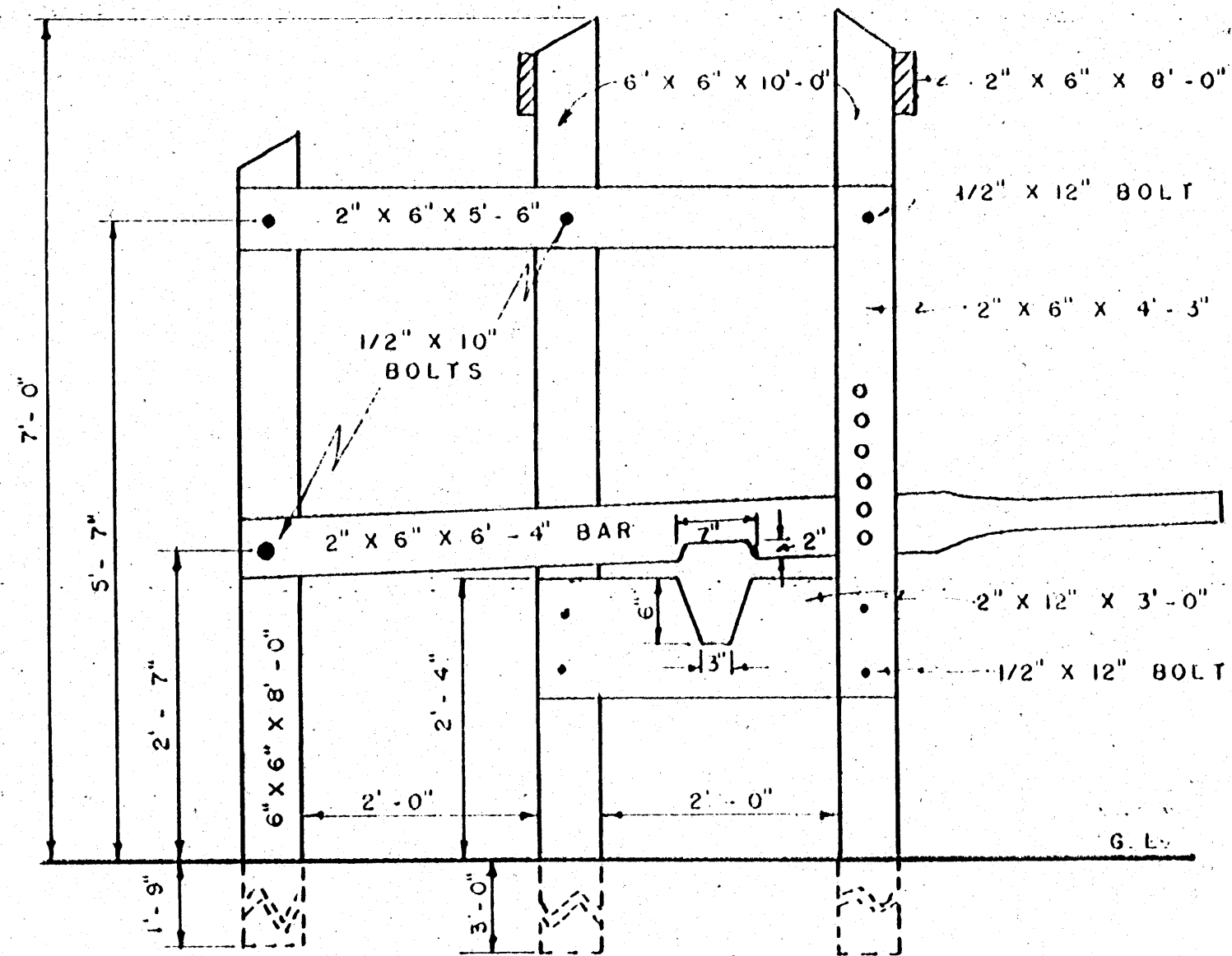


PLAN FOR HEAD GATE, EXIT GATE & CHUTE

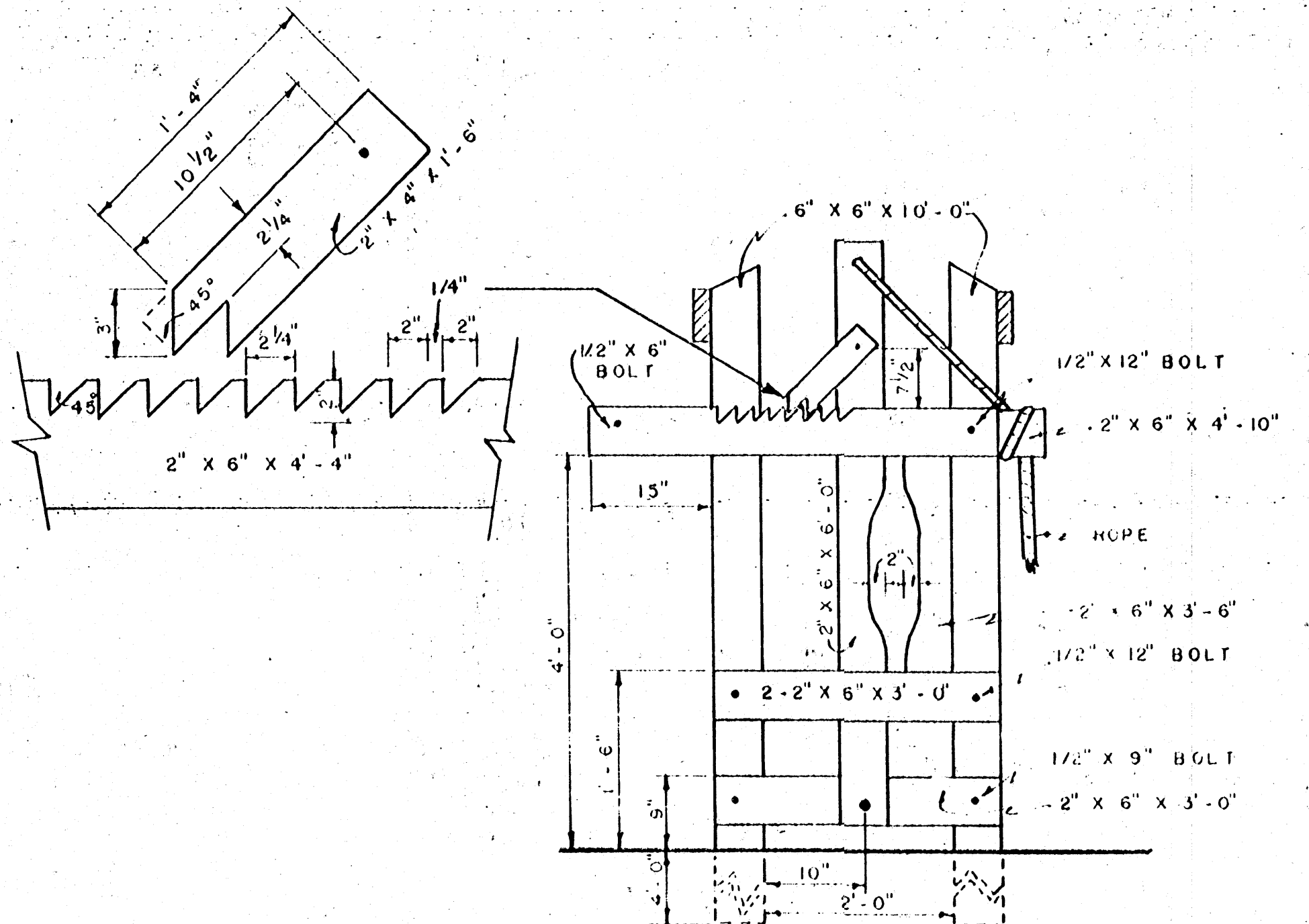
COOPERATIVE EXTENSION WORK IN
AGRICULTURE AND HOME ECONOMICS
STATE OF MISSISSIPPI
MISSISSIPPI STATE UNIVERSITY
UNITED STATES DEPARTMENT OF AGRICULTURE COOPERATING

SIX-PEN CORRAL

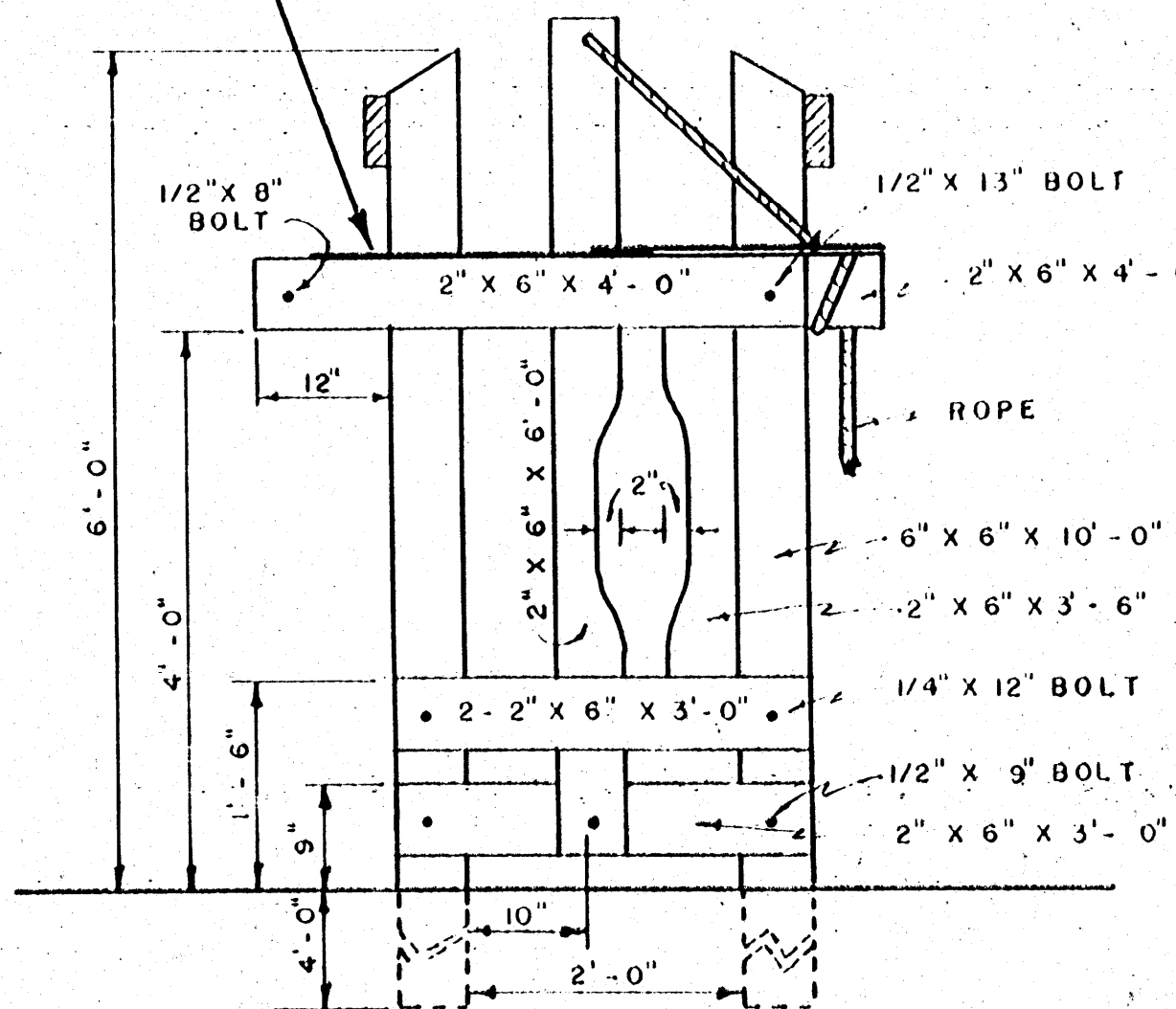
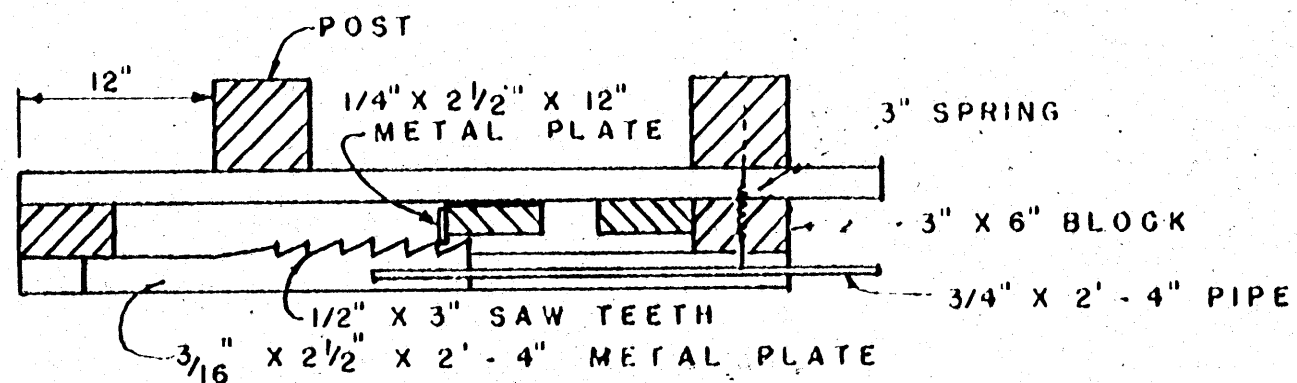
VA. '54 EX. 5797 SHEET 3 OF 4



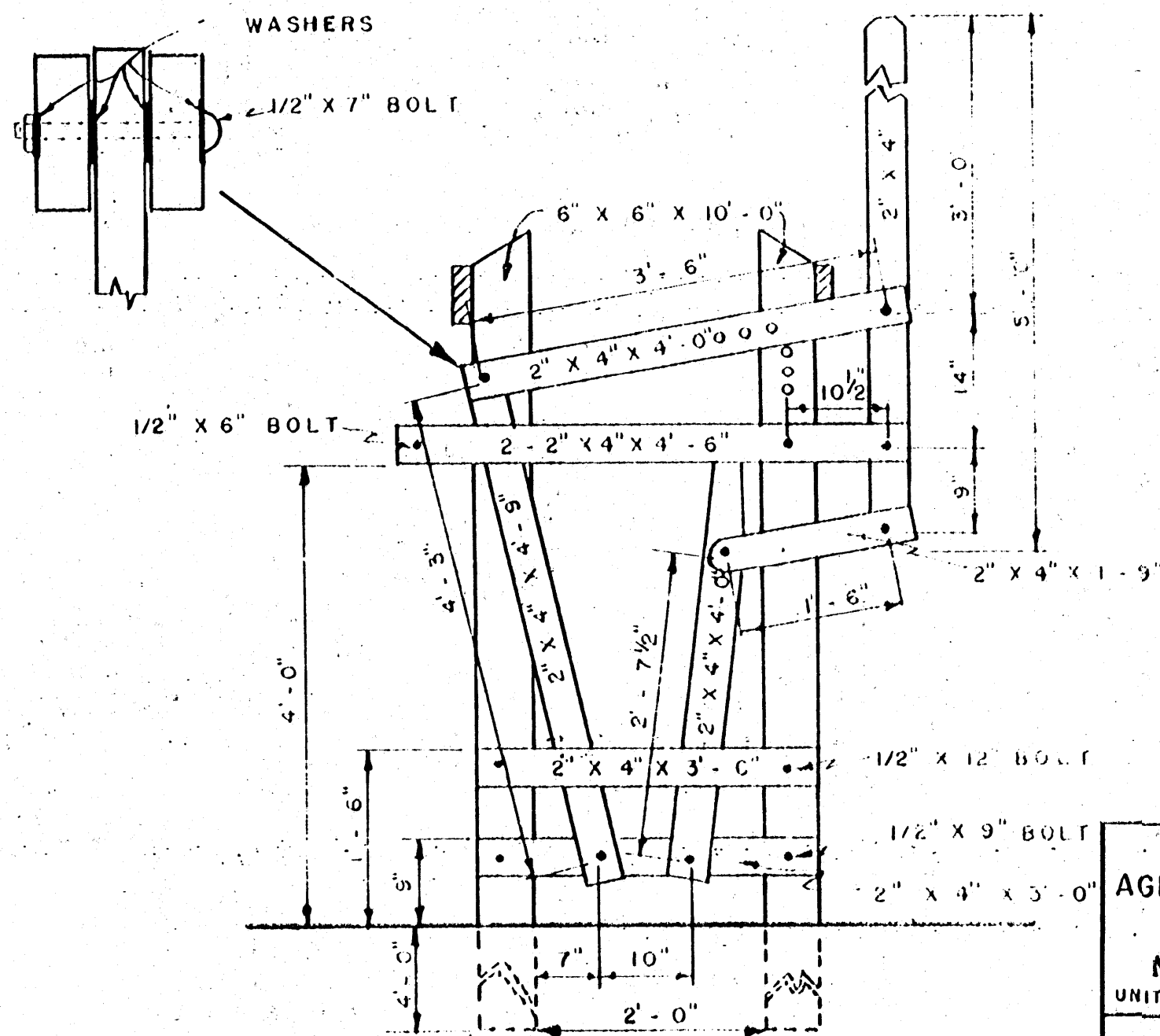
HEAD GATE NO. 4



HEAD GATE NO. 2



HEAD GATE NO. 1



HEAD GATE NO. 3

COOPERATIVE EXTENSION WORK IN
 AGRICULTURE AND HOME ECONOMICS
 STATE OF MISSISSIPPI
 MISSISSIPPI STATE UNIVERSITY
 UNITED STATES DEPARTMENT OF AGRICULTURE COOPERATING

SIX-PEN CORRAL