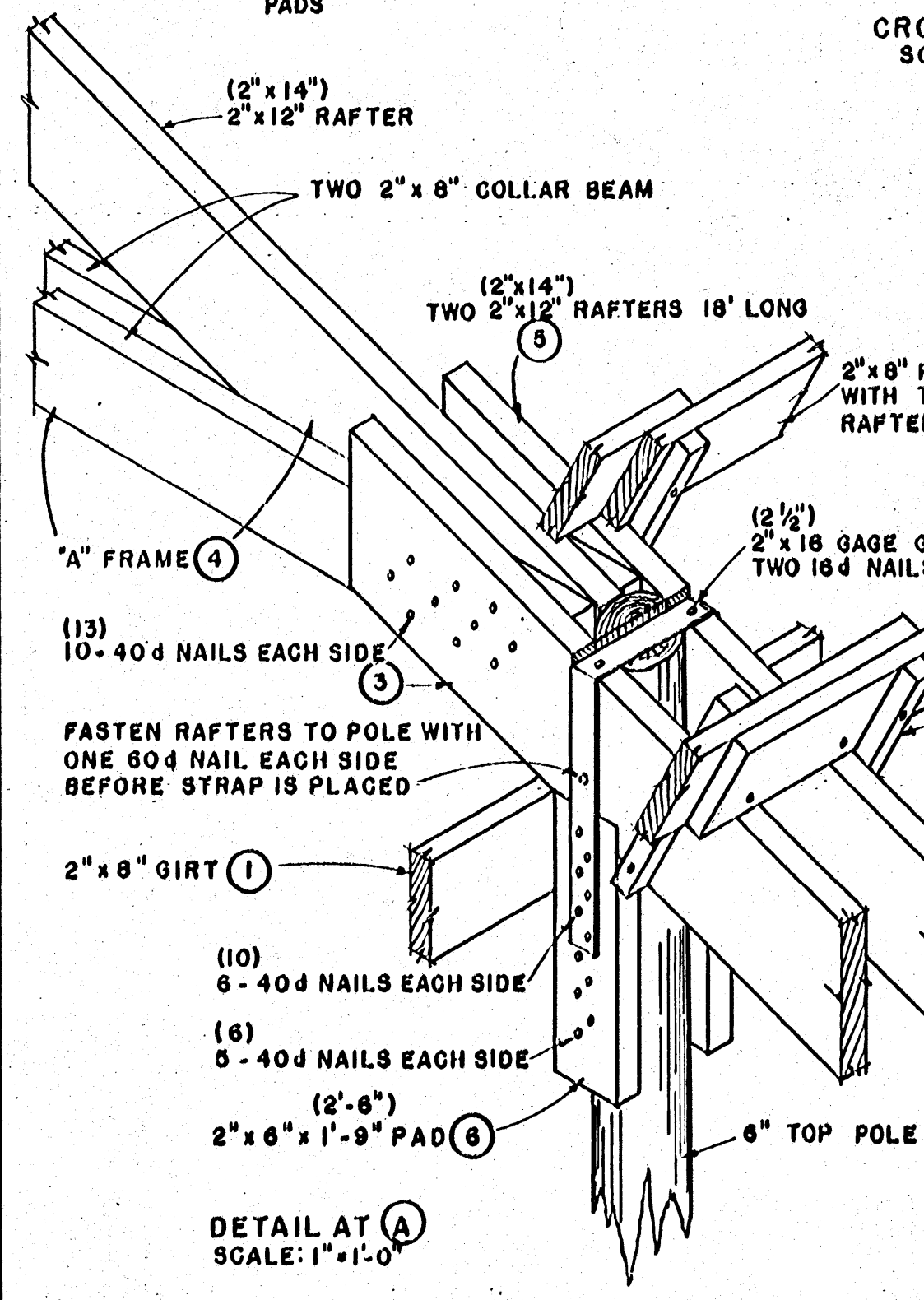


CROSS SECTION
SCALE: 1/4" = 1'-0"

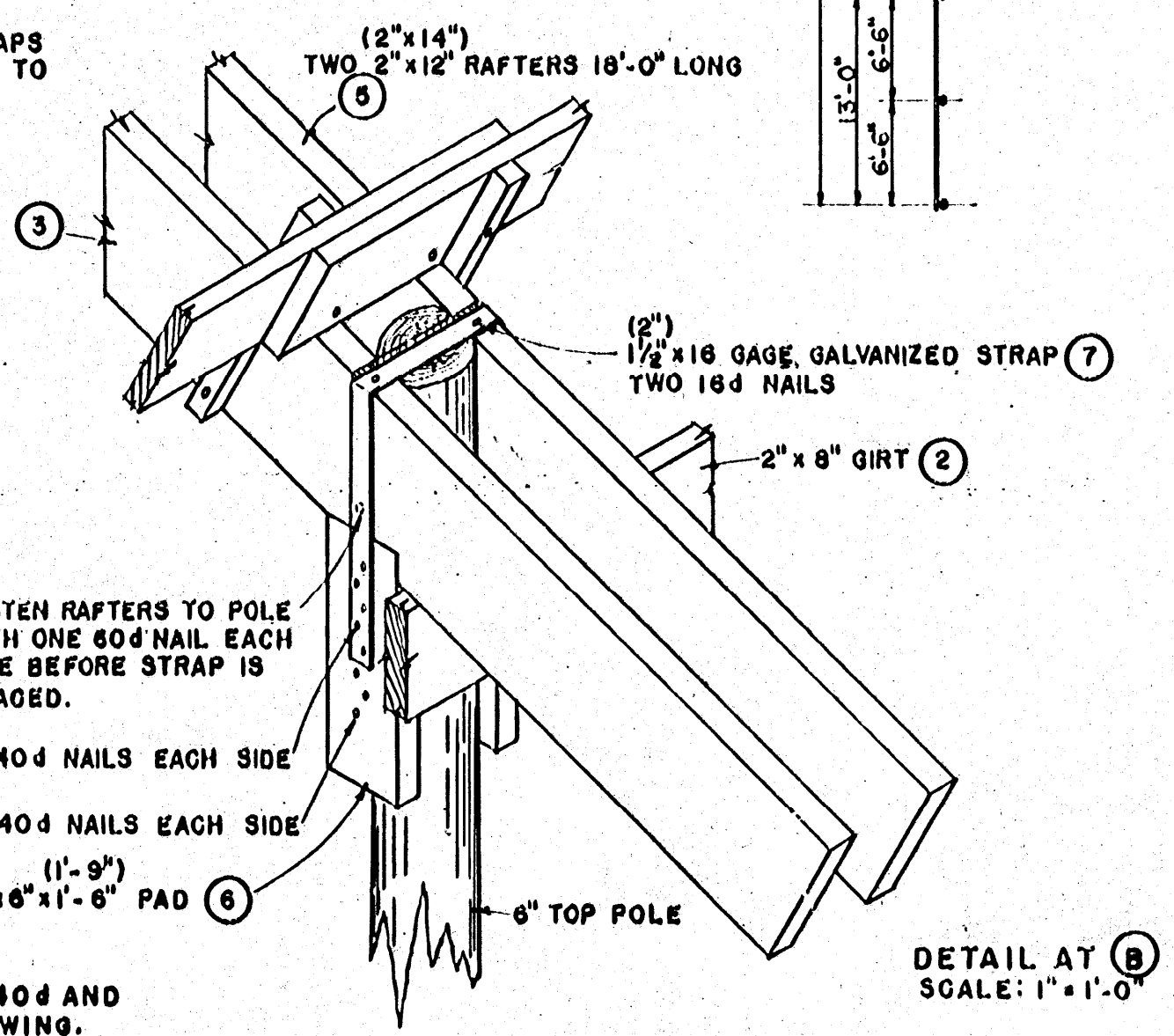
NOTE:
THIS BUILDING MAY BE BUILT IN ANY LENGTH DESIRED IN UNITS OF 15'-0". ALL POLES AND SPLASH BOARDS TO BE PRESSURE-TREATED WITH PRESERVATIVE.

ASSEMBLY NOTE:
FIRST PUT UP GIRTS (1) AND (2) THEN NAIL RAFTER (3) TO POLES WITH A 60d NAIL AT EACH END. PUT "A" FRAME (4) IN PLACE AND TEMPORARILY HOLD WITH 3-40d NAILS. PLACE RAFTER (5) AND NAIL TO POLES. COMPLETE NAILING FROM OPPOSITE SIDES OF RAFTERS (3) AND (5). PLACE PAD (6) IN POSITION AND HOLD WITH 2-40d NAILS, FASTEN STRAP (7) TO RAFTERS WITH TWO 16d NAILS. COMPLETE NAILING OF PADS AND STRAP.

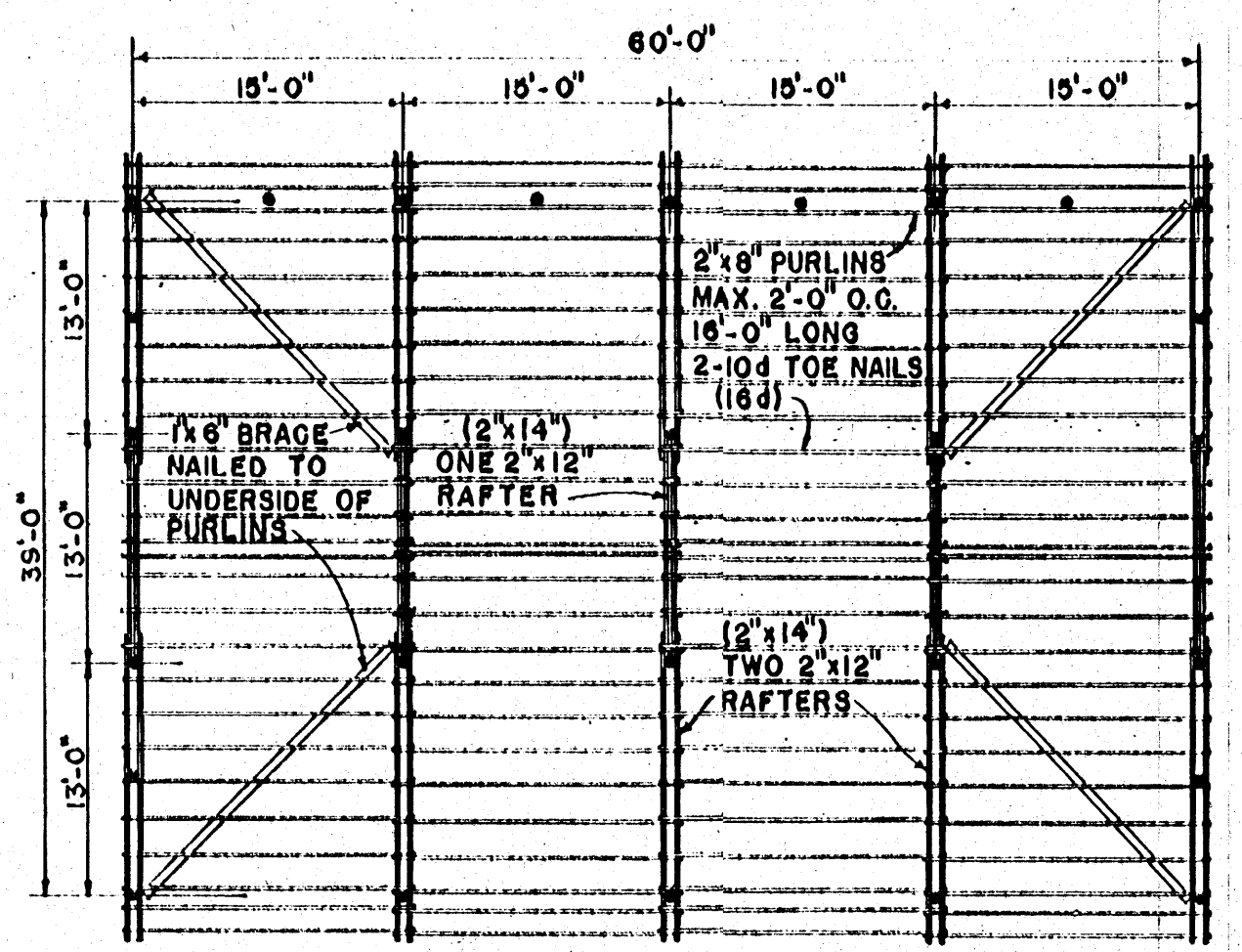


DETAIL AT A
SCALE: 1" = 1'-0"

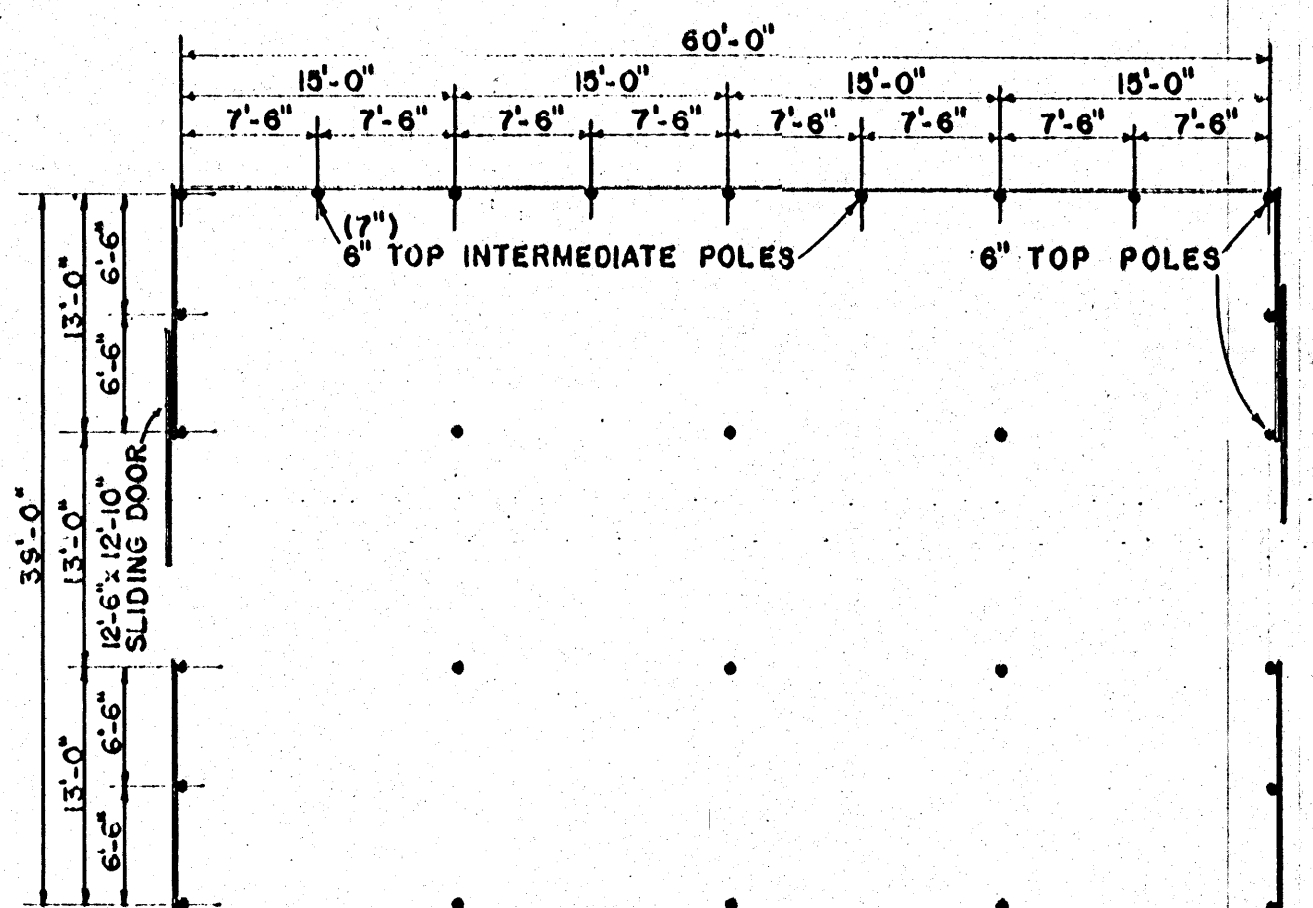
NOTE:
DRILL 3/16" HOLES THROUGH RAFTERS AND PADS FOR ALL 40d AND 60d NAILS AS SHOWN ON DRAWING.



DETAIL AT B
SCALE: 1" = 1'-0"



ROOF FRAMING PLAN
SCALE: 3/32" = 1'-0"



FLOOR PLAN
SCALE: 3/32" = 1'-0"

NOTE:
THIS BUILDING IS DESIGNED FOR AREAS OF THE UNITED STATES WHERE THE SNOW LOAD IS 20 LB. (OR 30 LB.) PER SQUARE FOOT, OR WIND DOES NOT EXCEED 88 (OR 108) MILES PER HOUR. FRAMING SIZE AND NAILS FOR 30 LB. LOAD OR 108 MILE PER HOUR WIND SHOWN IN PARENTHESES (...).

COOPERATIVE EXTENSION WORK IN
AGRICULTURE AND HOME ECONOMICS
STATE OF MISSISSIPPI
MISSISSIPPI STATE UNIVERSITY
AND
UNITED STATES DEPARTMENT OF AGRICULTURE COOPERATING

**TYPE "A" POLE CONSTRUCTION 39' WIDTH
RIDGE CENTERED BETWEEN POLE ROWS**

USDA '57	EX. 5830	SHEET 1 OF 1
----------	----------	--------------