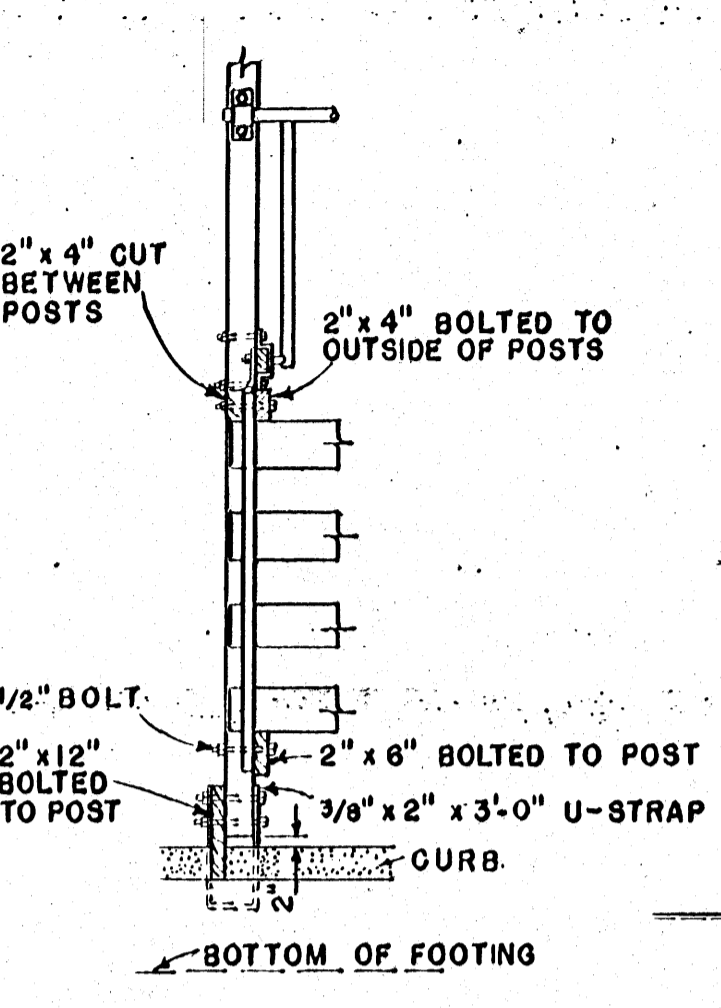
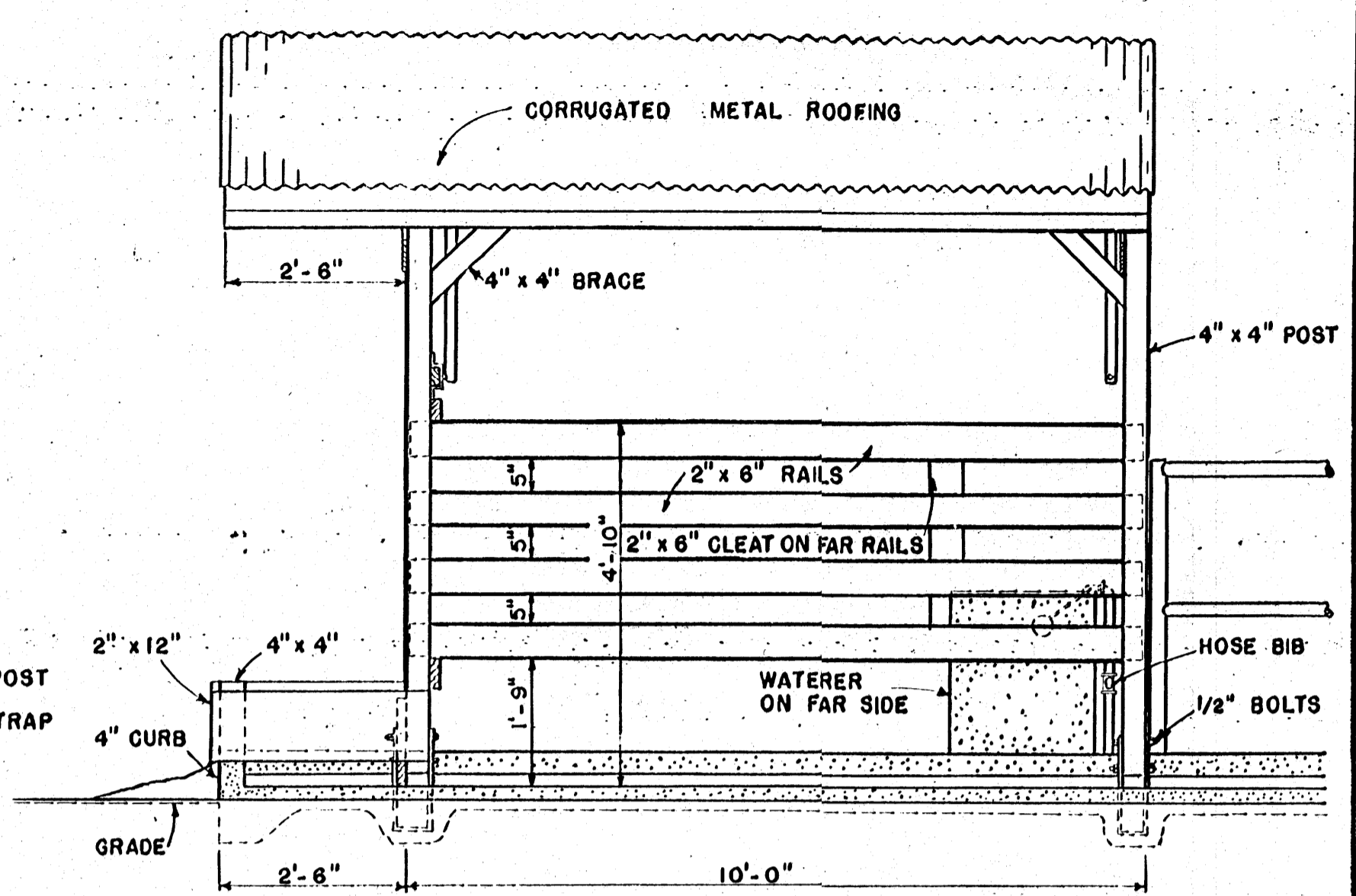


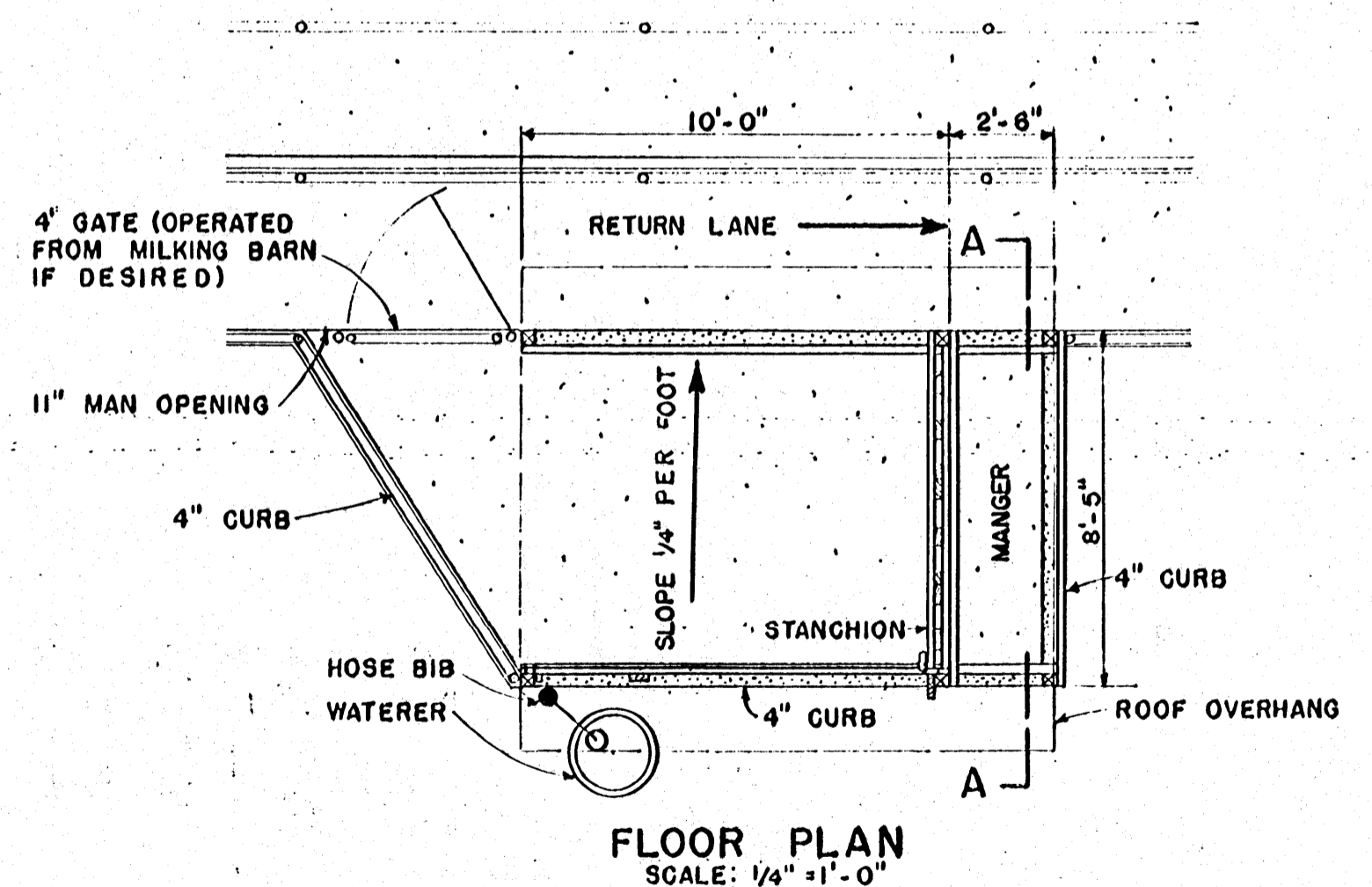
**SECTION A-A**  
SHOWING ELEVATION OF STANCHION  
SCALE: 1/2" = 1'-0"



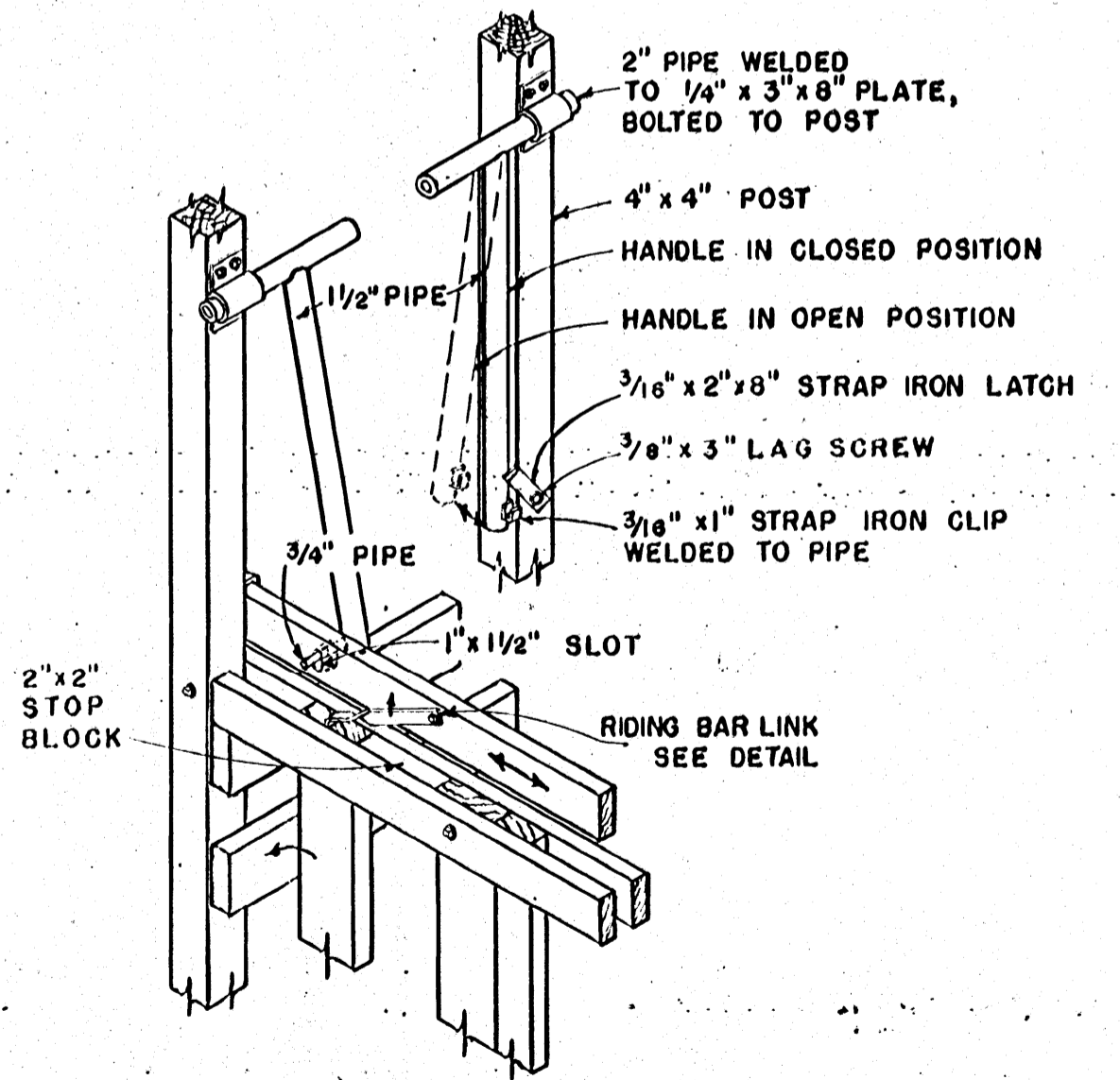
**SECTION THRU STANCHION**  
SCALE: 1/2" = 1'-0"



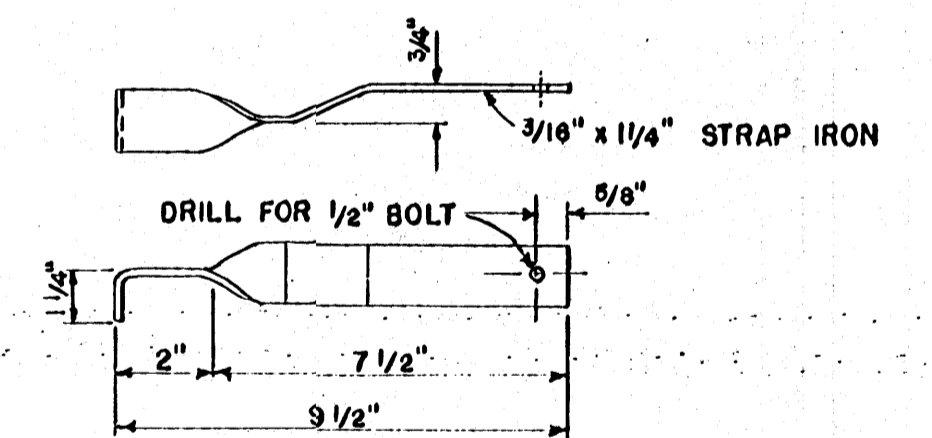
**SIDE ELEVATION**  
LOOKING FROM GUTTER SIDE  
SCALE: 1/2" = 1'-0"



**FLOOR PLAN**  
SCALE: 1/4" = 1'-0"



**ARRANGEMENT FOR OPENING AND CLOSING STANCHIONS**  
SCALE: 3/4" = 1'-0"



**LINK DETAIL**  
SCALE: 3" = 1'-0"

**NOTE:**  
STALLS GENERALLY MUST BE LOCATED NOT LESS THAN 100 FEET FROM MILK HOUSE AND NOT LESS THAN 50 FEET FROM MILKING BARN.  
THIS PLAN IS DESIGNED FOR MODERATE WEATHER CONDITIONS. IN LOCALITIES HAVING HEAVY SNOW OR STRONG WINDS, A LOCAL ENGINEER OR ARCHITECT SHOULD BE CONSULTED.

COOPERATIVE EXTENSION WORK IN  
AGRICULTURE AND HOME ECONOMICS  
STATE OF MISSISSIPPI  
MISSISSIPPI STATE UNIVERSITY  
UNITED STATES DEPARTMENT OF AGRICULTURE COOPERATING

**DAIRY STALLS**  
FOR ARTIFICIAL BREEDING

GAL. '57 EX. 5840 SHEET 1 OF 1