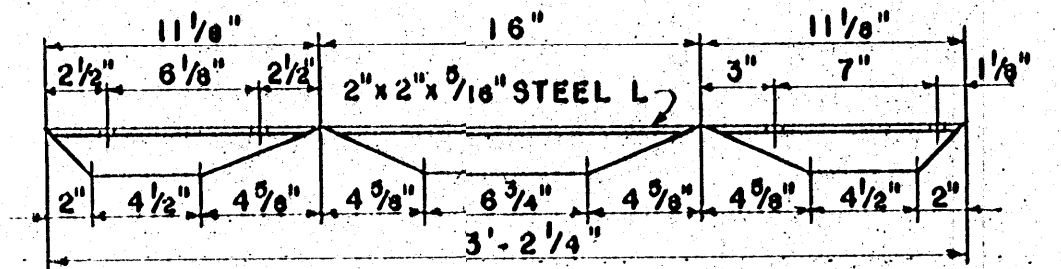
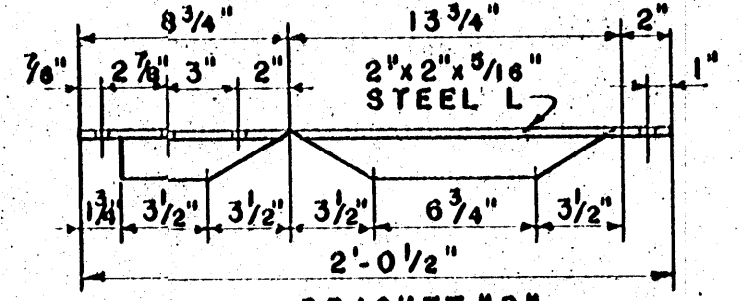


PLAN OF BREEDING RACK
SCALE: 3/4" = 1'-0"



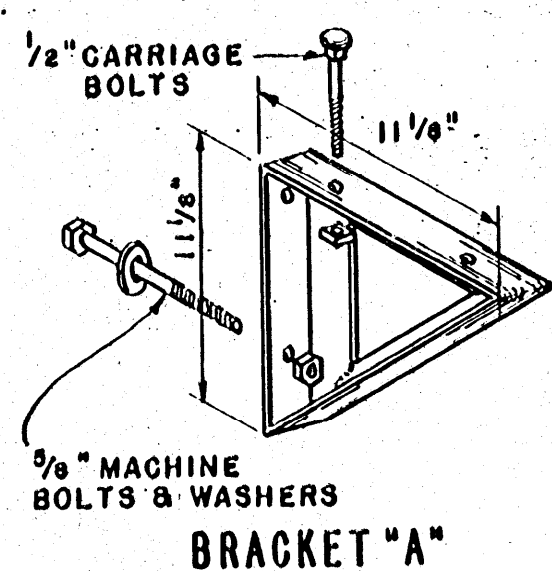
BRACKET "A"
4 REQUIRED



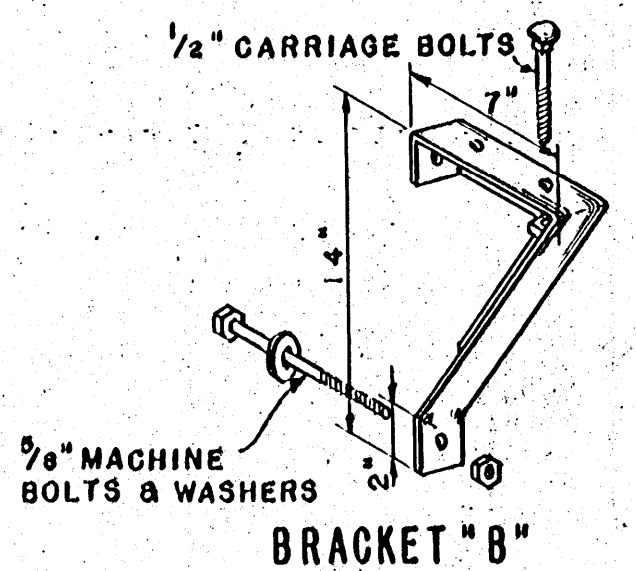
BRACKET "B"
2 REQUIRED

CUTTING DIAGRAMS
SCALE: 1/2" = 1'-0"

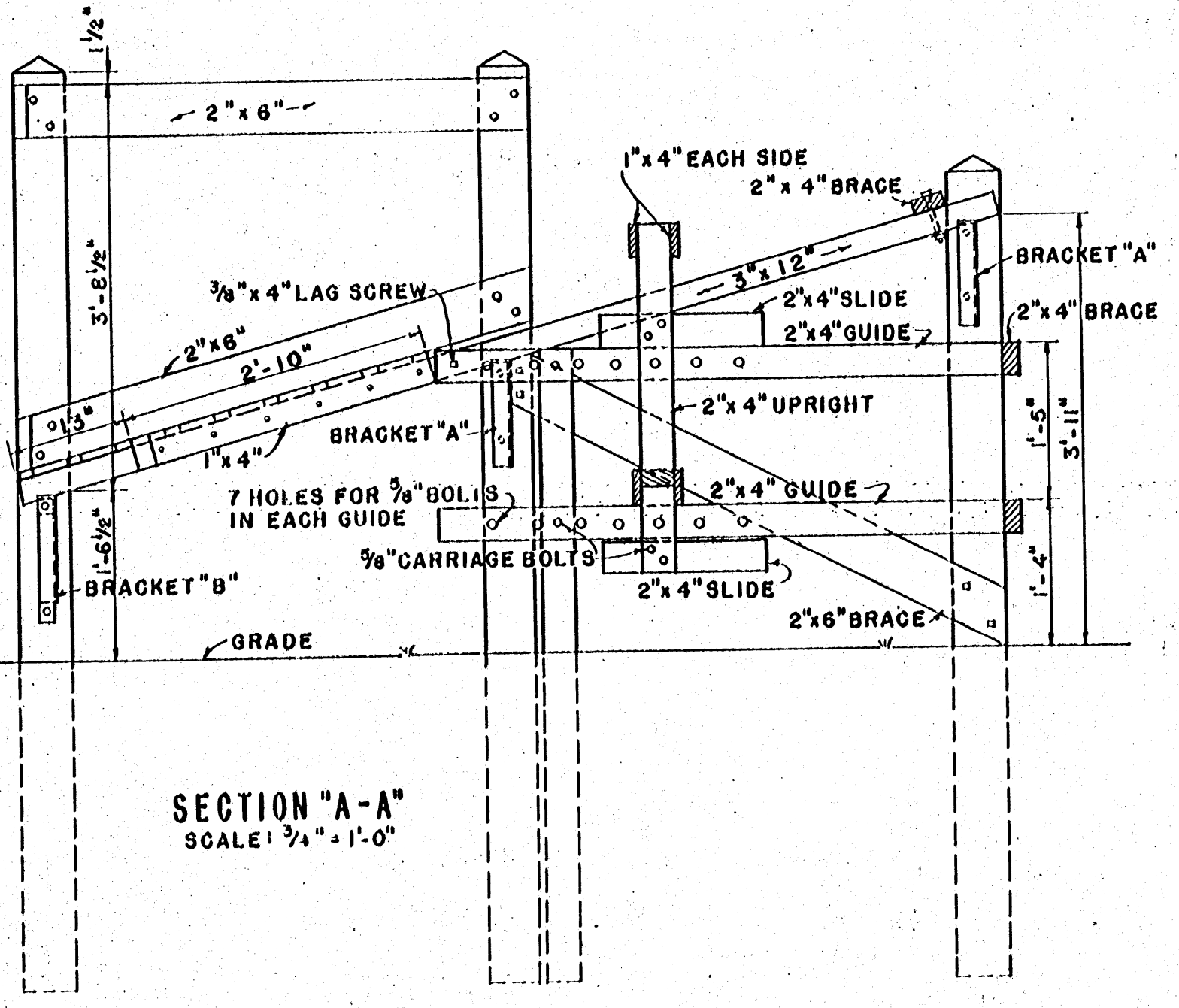
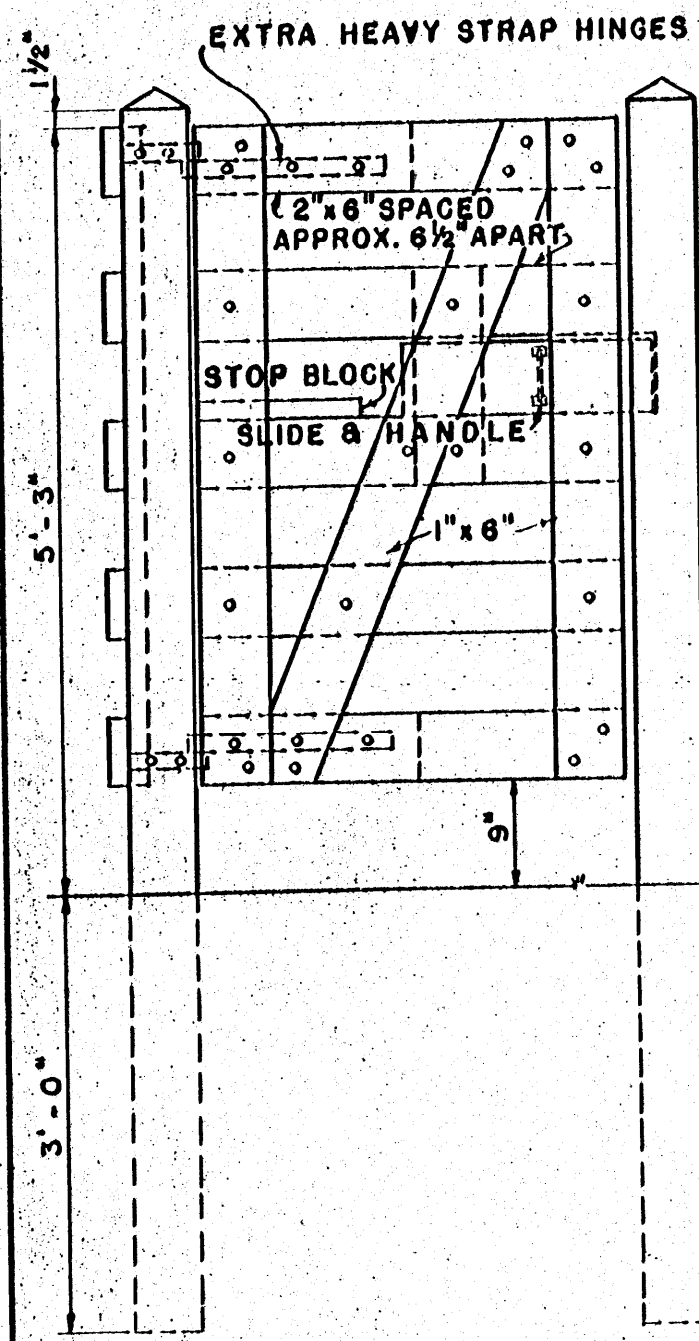
NOTE: CUT, DRILL, AND BEND TO SHAPE SHOWN. WELD ALL JOINTS.



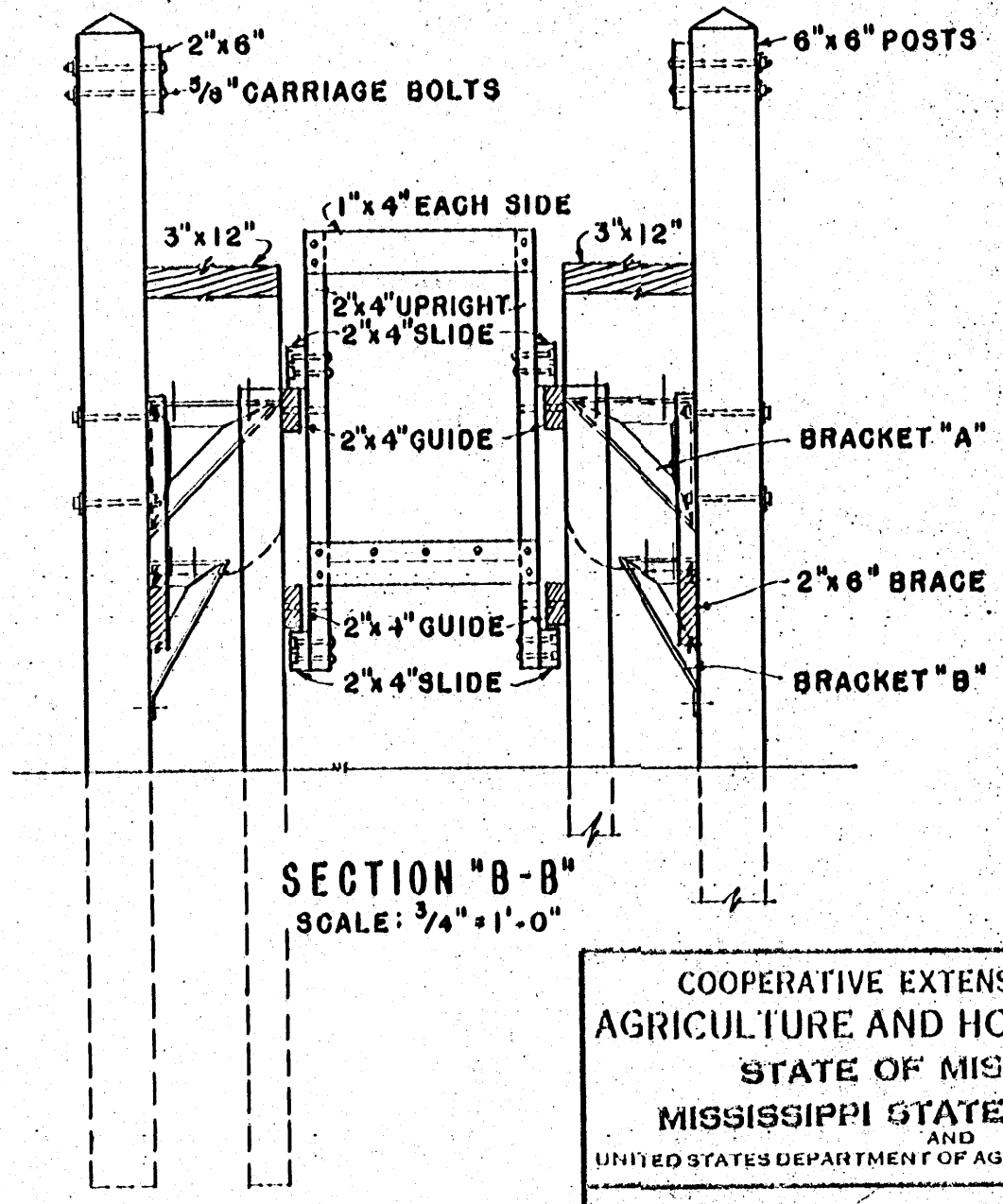
BRACKET "A"



BRACKET "B"



SECTION "A-A"
SCALE: 3/4" = 1'-0"



SECTION "B-B"
SCALE: 3/4" = 1'-0"

NOTE: POSTS ARE TO BE SET IN GROUND WITH CONCRETE. ALL POSTS EXTENDING BELOW GRADE AND ANY MEMBERS IN CONTACT WITH THE GROUND TO BE PRESURE-TREATED WITH PRESERVATIVE. ALL MEMBERS TO BE SECURED WITH BOLTS, WASHERS, NUTS, & SCREWS AS SHOWN.

COOPERATIVE EXTENSION WORK IN
AGRICULTURE AND HOME ECONOMICS
STATE OF MISSISSIPPI
MISSISSIPPI STATE UNIVERSITY
AND
UNITED STATES DEPARTMENT OF AGRICULTURE COOPERATING

TWO-PEN BULL BARN & LOTS

USDA '58	EX. 5851	SHEET 3 OF 3
----------	----------	--------------