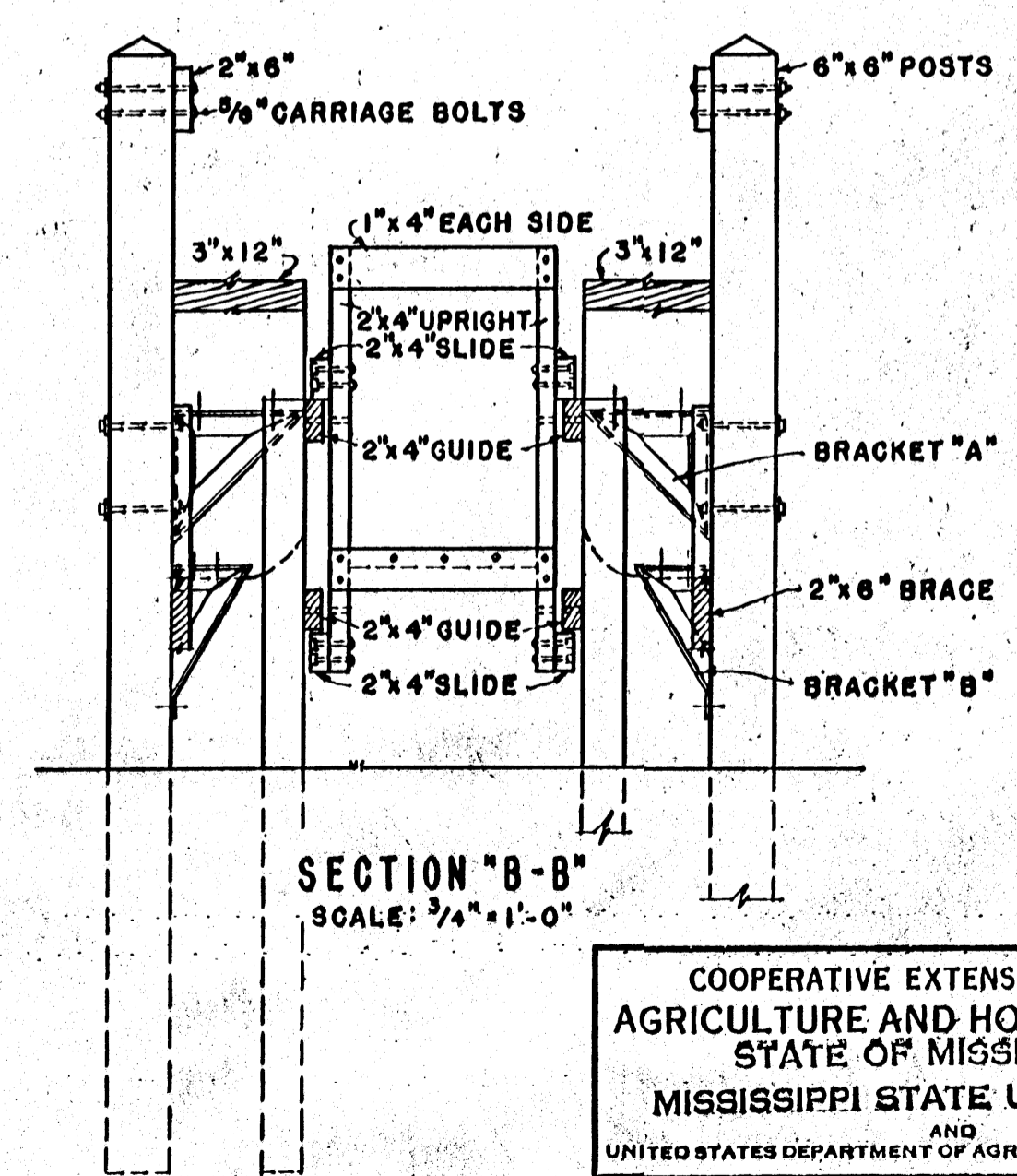
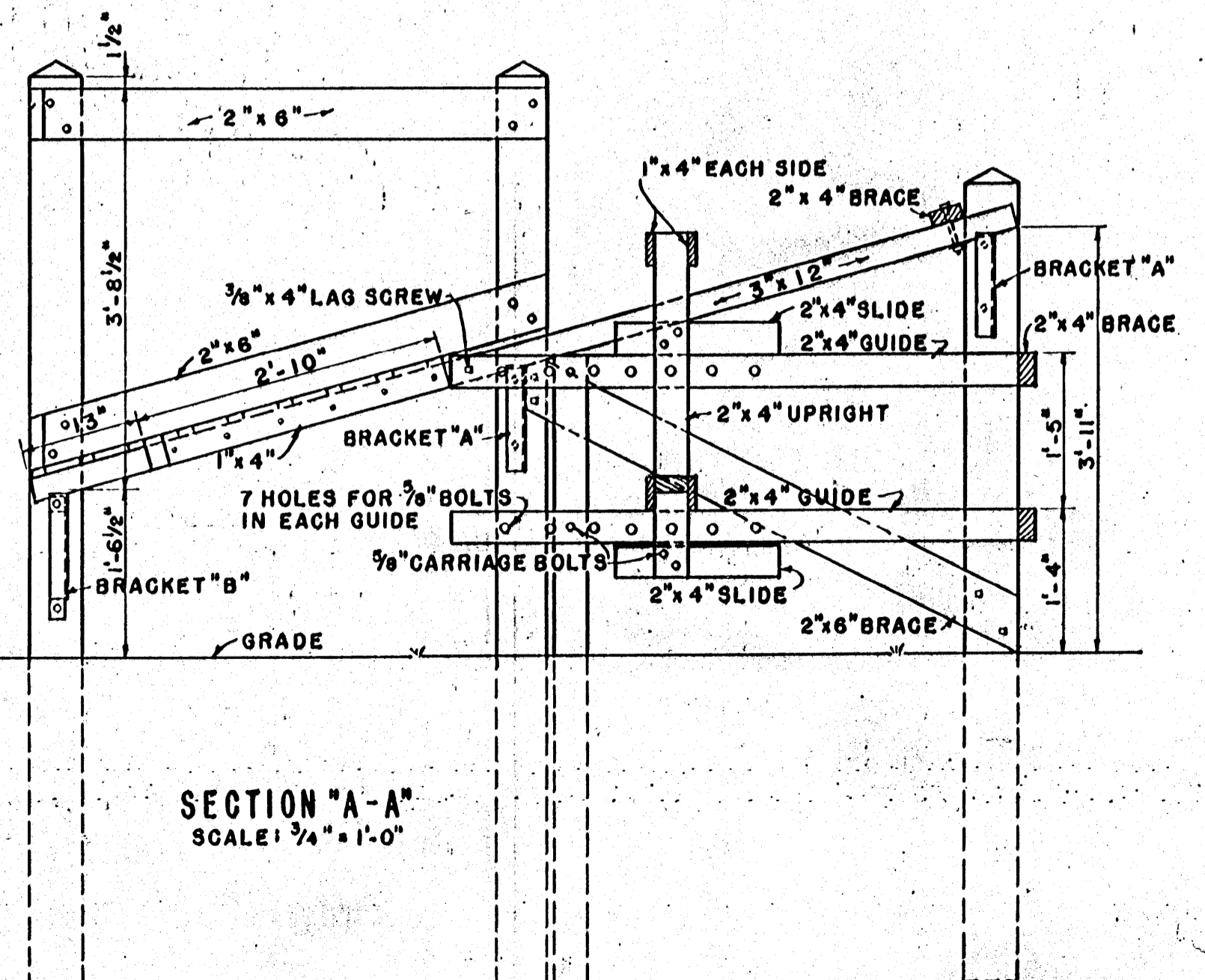
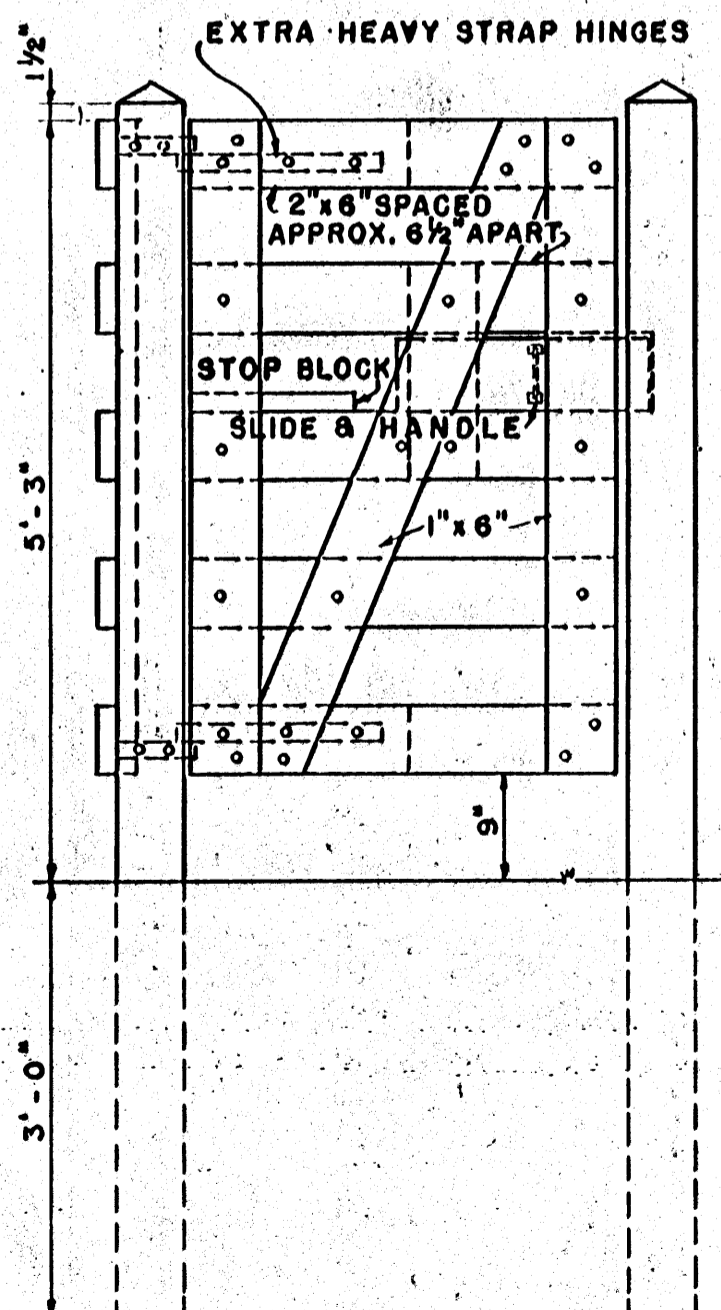
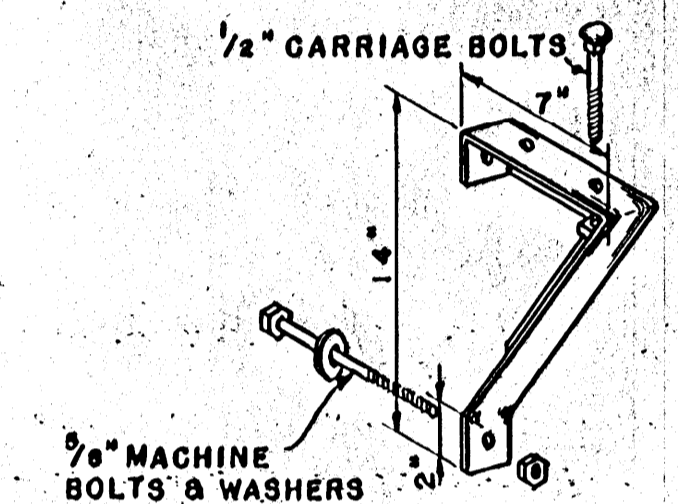
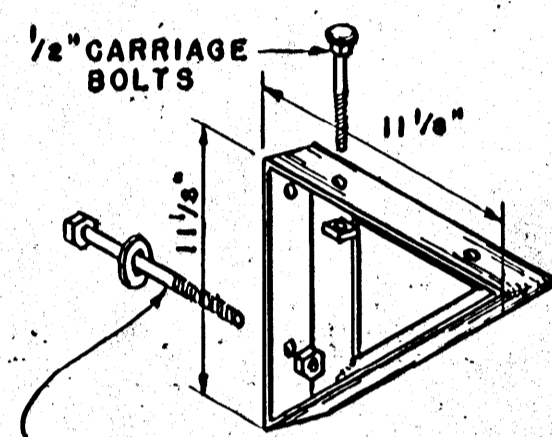


**CUTTING DIAGRAMS**  
SCALE: 1 1/2" = 1'-0"

NOTE: CUT, DRILL, AND BEND TO SHAPE SHOWN. WELD ALL JOINTS.



NOTE: POSTS ARE TO BE SET IN GROUND WITH CONCRETE. ALL POSTS EXTENDING BELOW GRADE AND ANY MEMBERS IN CONTACT WITH THE GROUND TO BE PRESSURE-TREATED WITH PRESERVATIVE. ALL MEMBERS TO BE SECURED WITH BOLTS, WASHERS, NUTS, & SCREWS AS SHOWN.

COOPERATIVE EXTENSION WORK IN AGRICULTURE AND HOME ECONOMICS  
STATE OF MISSISSIPPI  
MISSISSIPPI STATE UNIVERSITY  
AND  
UNITED STATES DEPARTMENT OF AGRICULTURE COOPERATING

**PERMANENT BREEDING RACK FOR CATTLE**

USDA '56 EX. 5853 SHEET 1 OF 1