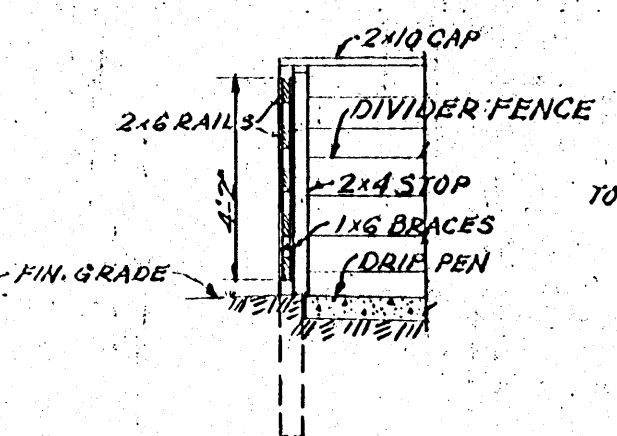
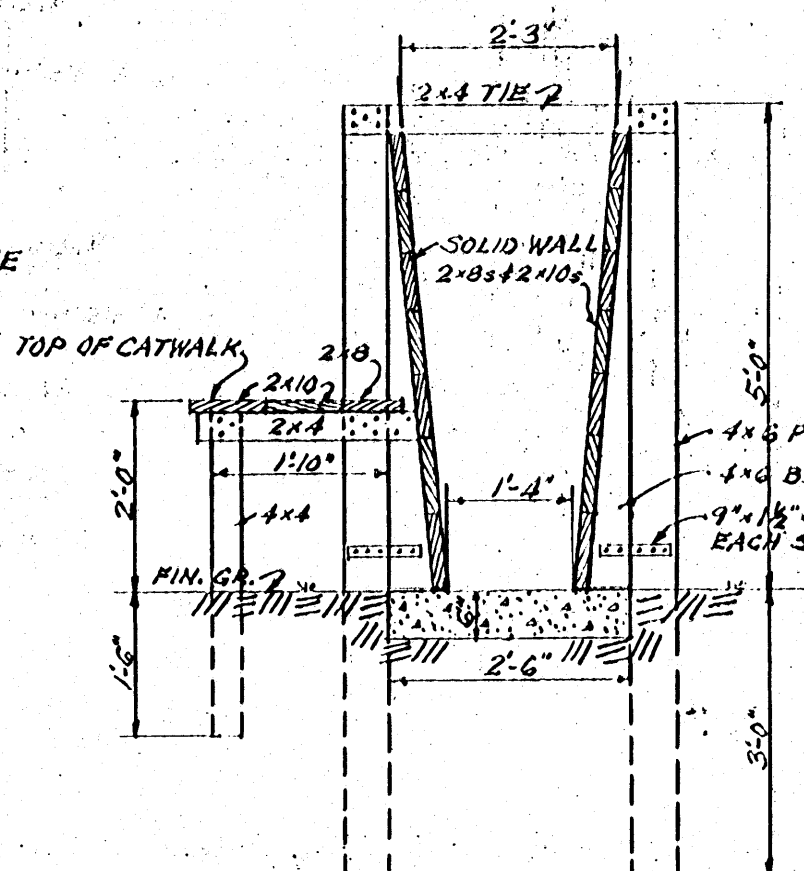


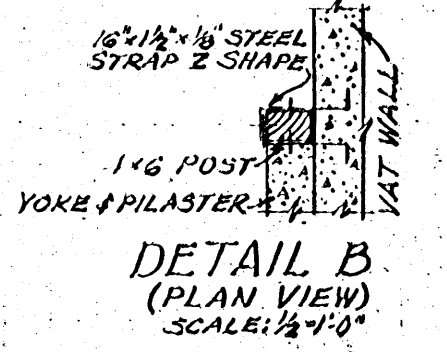
ELEVATION A



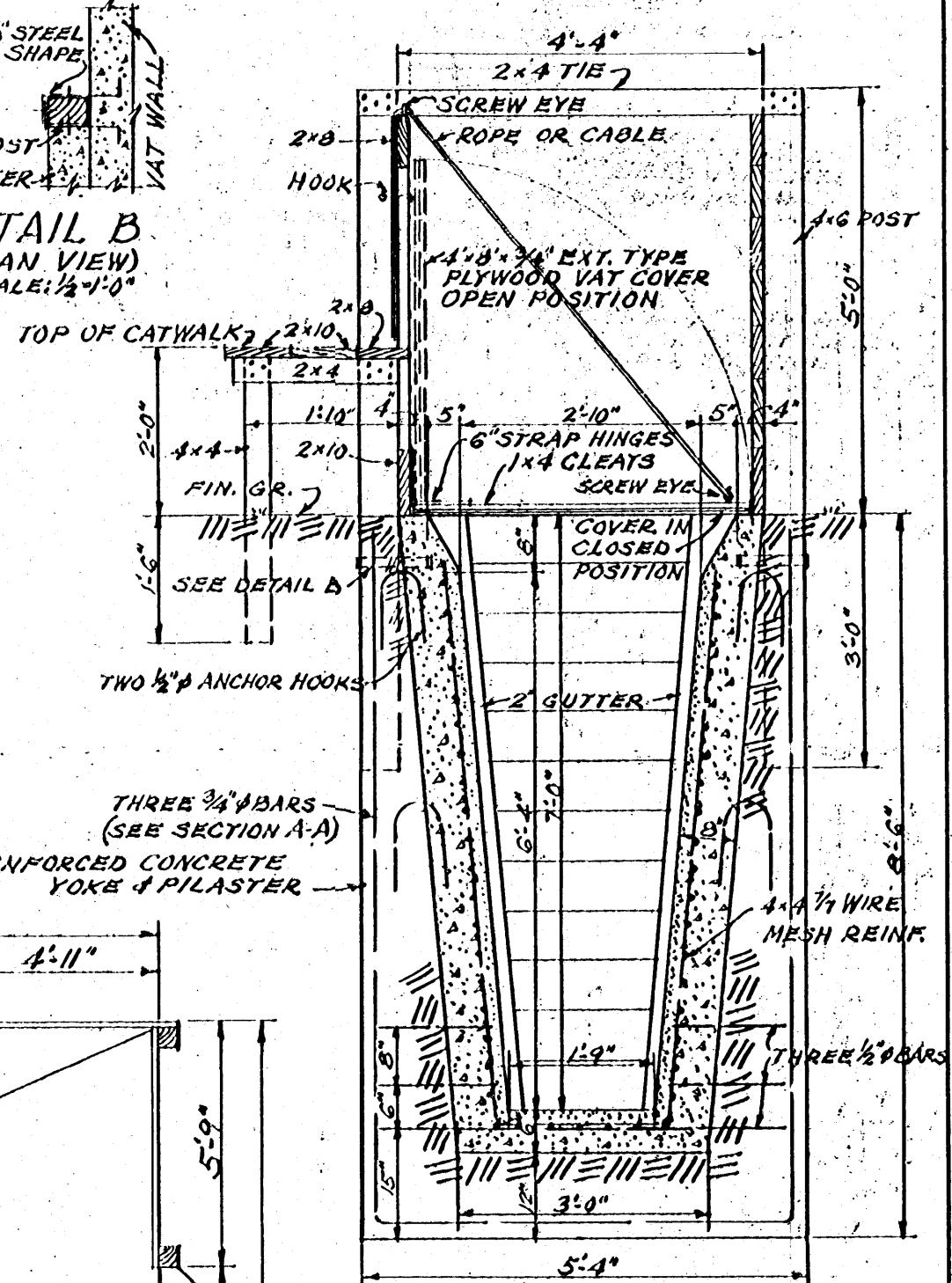
SECTION E-E



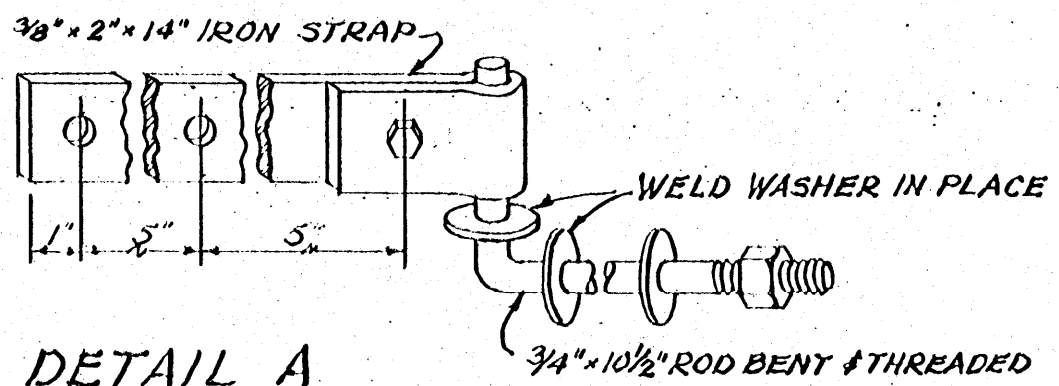
SECTION B-B
SCALE: 1/2"=1'-0"



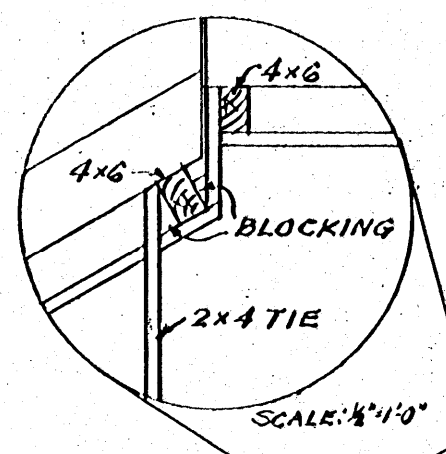
DETAIL B
(PLAN VIEW)
SCALE: 1/2"=1'-0"



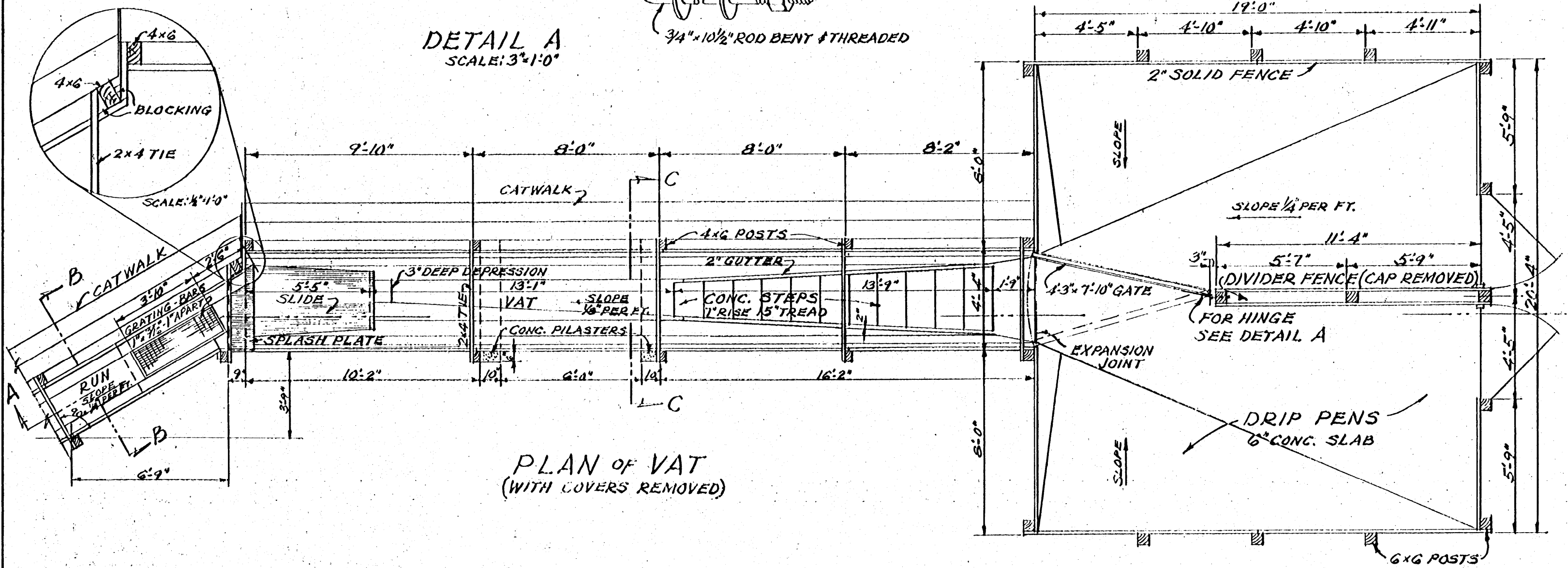
SECTION C-C
SCALE: 1/2"=1'-0"



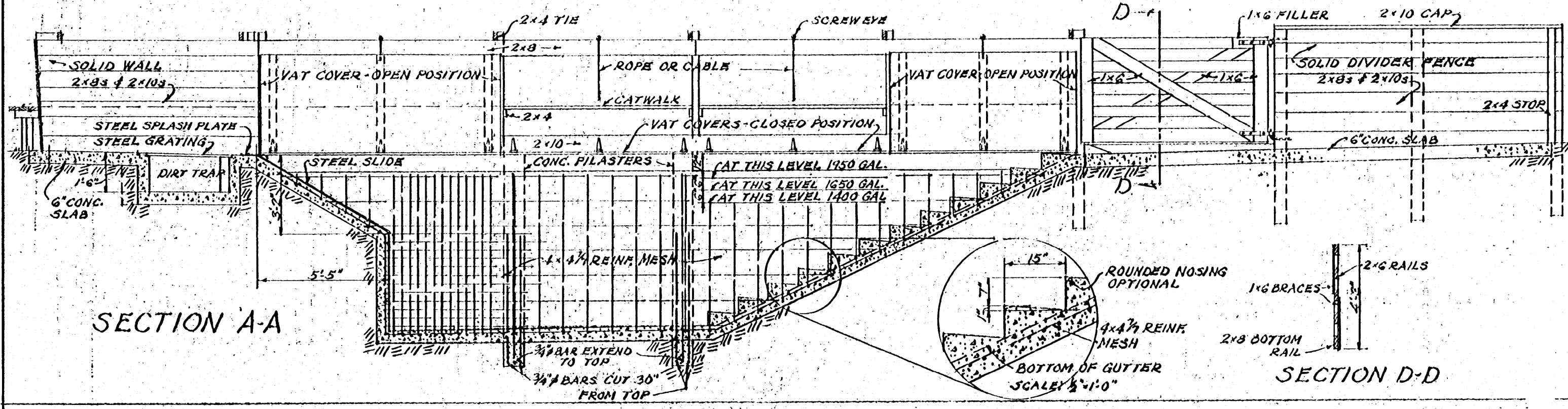
DETAIL A
SCALE: 3/4"=1'-0"



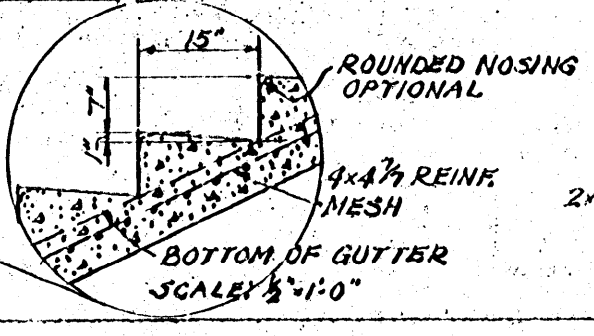
SCALE: 1/2"=1'-0"



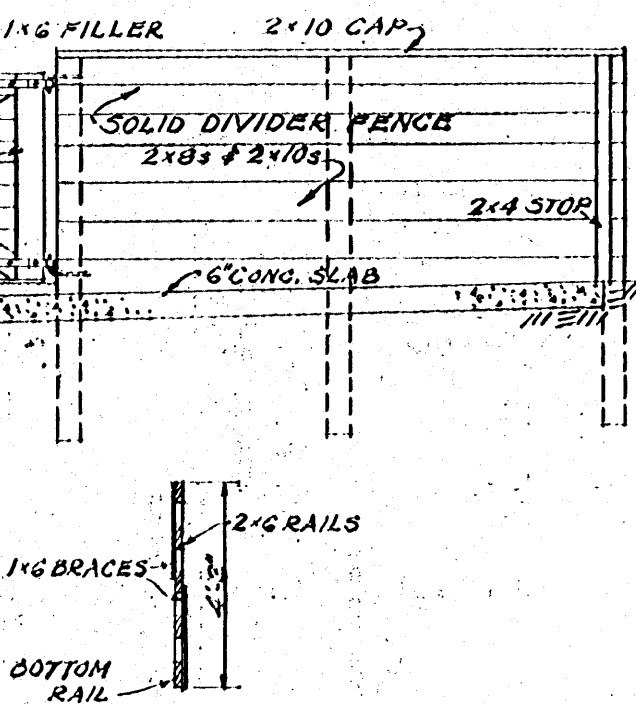
PLAN OF VAT
(WITH COVERS REMOVED)



SECTION A-A



SCALE: 1/2"=1'-0"



SECTION D-D

NOTES: SIZE AND ARRANGEMENT OF PENS TO SUIT LOCAL CONDITIONS. BLIND ENTRY TO VAT DESIRABLE. USE PRESERVATIVE TREATED LUMBER THRU-OUT.

SCALE: 1/2"=1'-0" UNLESS OTHERWISE NOTED.

COOPERATIVE EXTENSION WORK IN AGRICULTURE AND HOME ECONOMICS
STATE OF MISSISSIPPI
MISSISSIPPI STATE UNIVERSITY
AND
UNITED STATES DEPARTMENT OF AGRICULTURE COOPERATING
VAT FOR DIPPING CATTLE
USDA '60 EX. 5876 SHEET 1 OF 1