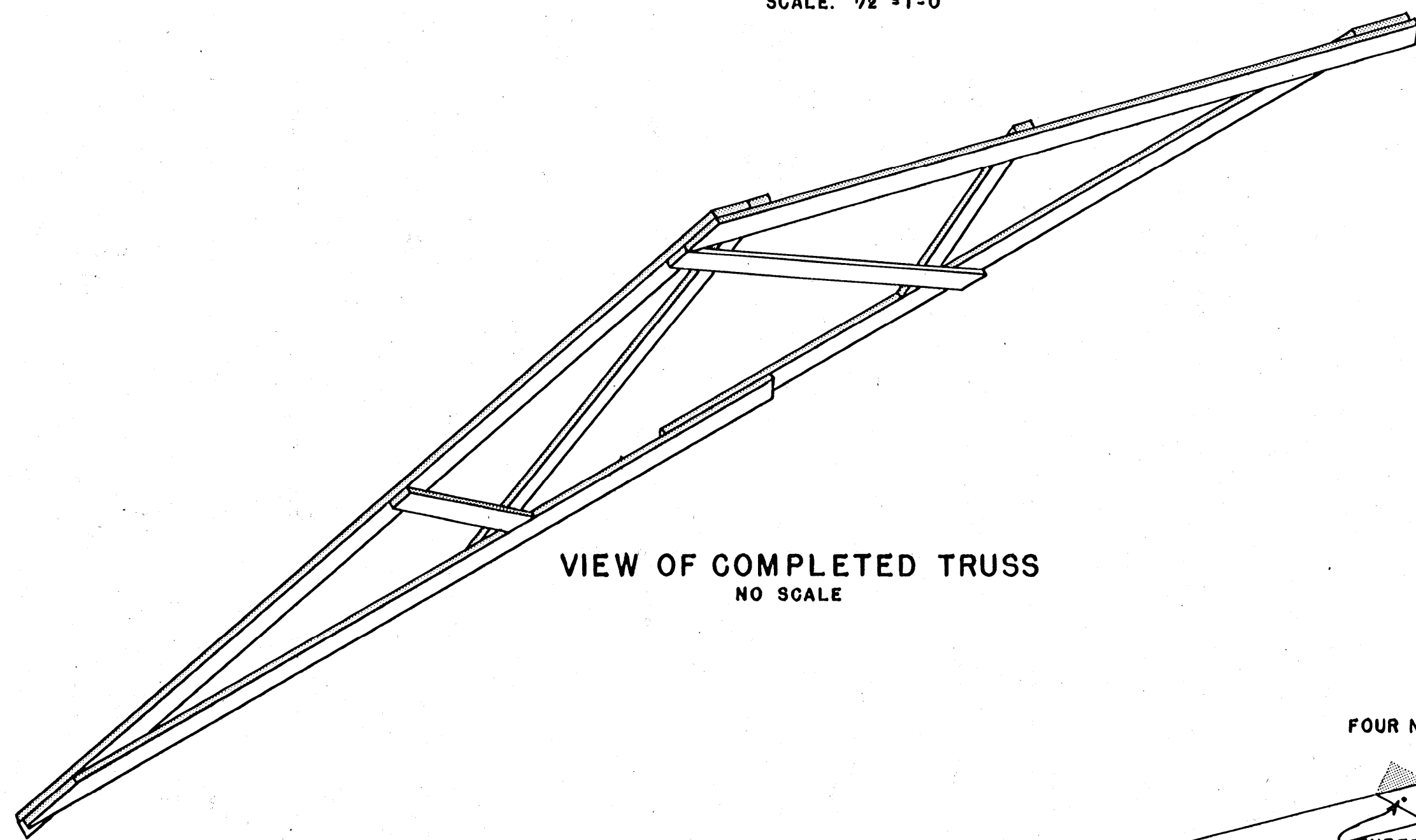


ELEVATION
SCALE: 1/2" = 1'-0"



VIEW OF COMPLETED TRUSS
NO SCALE

WHERE SNOW OR WIND LOADS WILL NOT EXCEED....	TRUSSES MAY BE SPACED UP TO....	ROOF SHEATHING
15 LBS. PER SQ. FT.	4'-0" O.C.	2"x4" LAID FLAT, SPACED 3'-6" O.C. FOR 2 1/2" COR. METAL ROOFING ONLY
20 " " " "	2'-8" " "	1" NOMINAL SOLID WOOD SHEATHING FOR ALL ROOFING MATERIALS
25 " " " "	2'-4" " "	
30 " " " "	2'-0" " "	

THIS TRUSS IS DESIGNED TO SUPPORT LOADS UP TO 70 LBS. PER FOOT OF SPAN, INCLUDING THE WEIGHT OF THE ROOF.

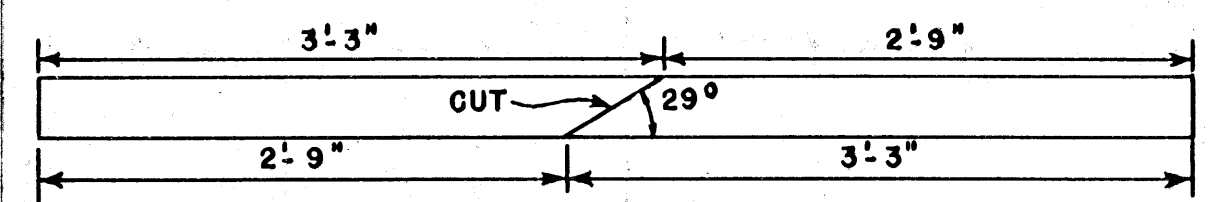
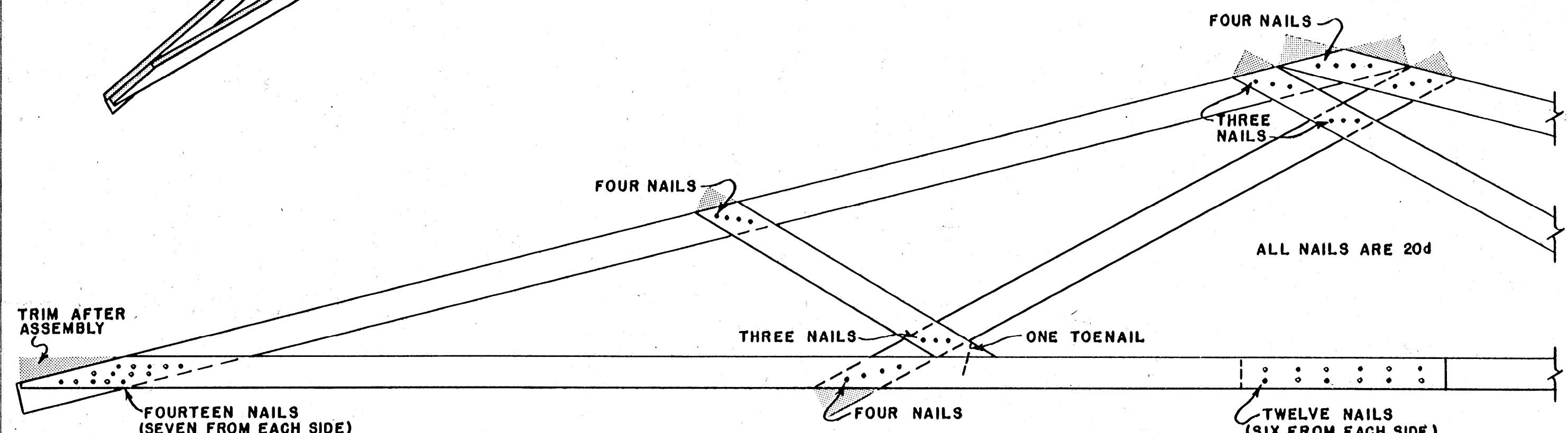
ALL LUMBER SHALL BE STRESS GRADED TO PROVIDE 1500 PSI FIBER STRESS IN BENDING, AND 1350 PSI IN COMPRESSION.

MATERIALS FOR ONE TRUSS:
 TOP CHORD.....2 PCS. 2"x4"x14'-0" (OR 16'-0")
 BOTTOM CHORD...2 " 2"x4"x14'-0"
 LONG WEBS.....1 " 2"x4"x14'-0"
 SHORT WEBS.....1 " 2"x4"x6'-0"

NAILS.....2 1/2 LBS. 20d COMMON

ALL PROJECTING NAILS ARE TO BE GLIMCHED.

TRUSSES SHOULD BE SECURELY ANCHORED TO THE SUPPORTING STRUCTURE.



JOINT DETAILS
SCALE: 1" = 1'-0"

CUTTING DIAGRAM FOR SHORT WEBS
CHECK ANGLE ON THE JOB. ALL OTHER CUTS ARE MADE AFTER THE TRUSS IS ASSEMBLED.

COOPERATIVE EXTENSION WORK IN AGRICULTURE AND HOME ECONOMICS
 STATE OF MISSISSIPPI
 MISSISSIPPI STATE UNIVERSITY
 AND UNITED STATES DEPARTMENT OF AGRICULTURE COOPERATING

24 FT. LAP-NAILED TRUSS
 3/12 SLOPE SINGLE TOP CHORD

USDA '61 EX. 5923 SHEET 1 OF 1