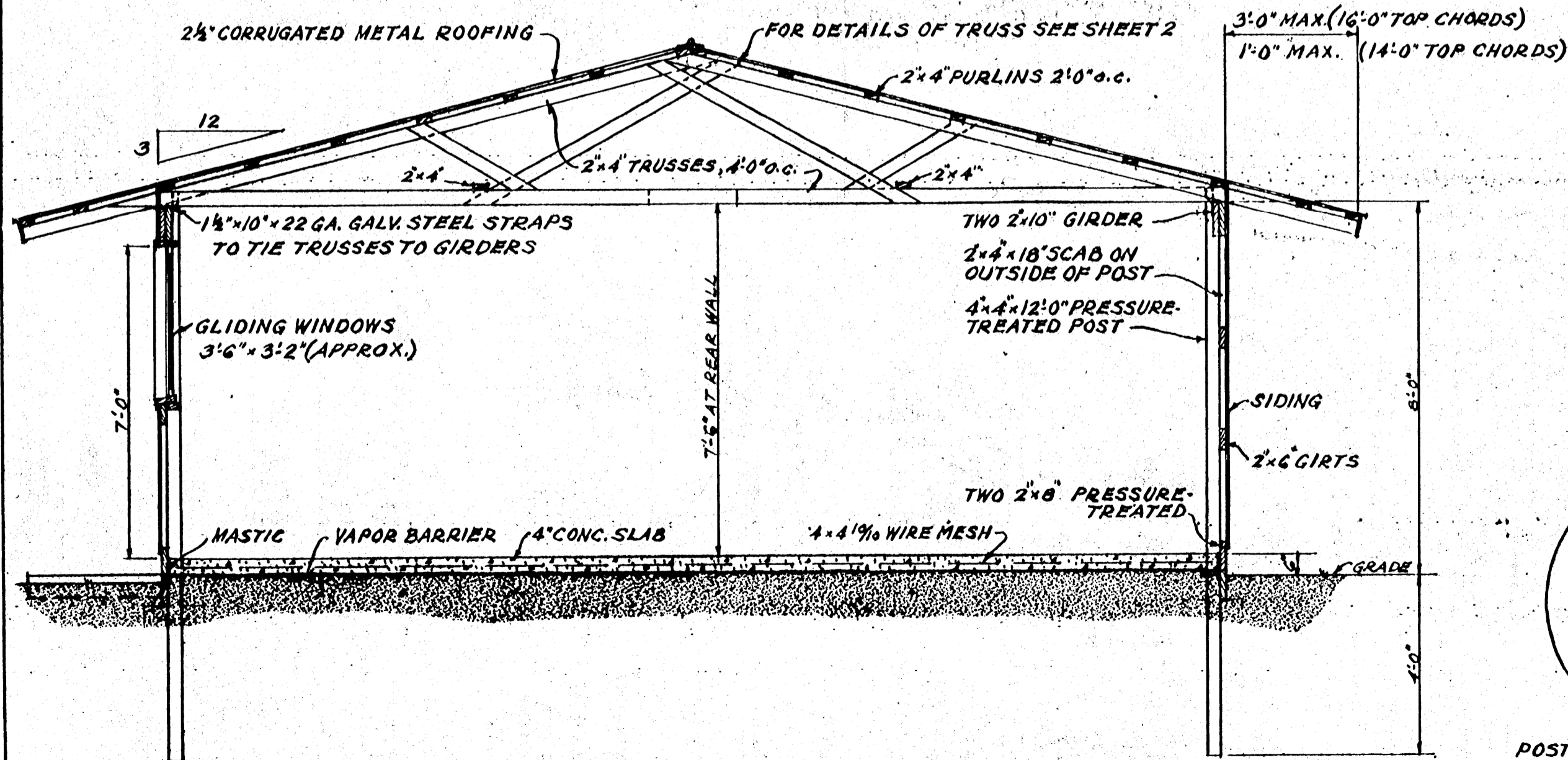
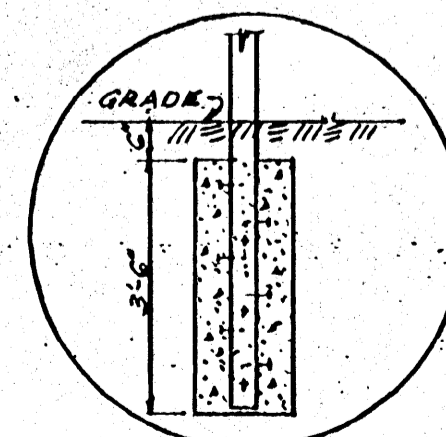


PLAN
SCALE: 1/4" = 1'-0"



SECTION
SCALE: 3/8" = 1'-0"



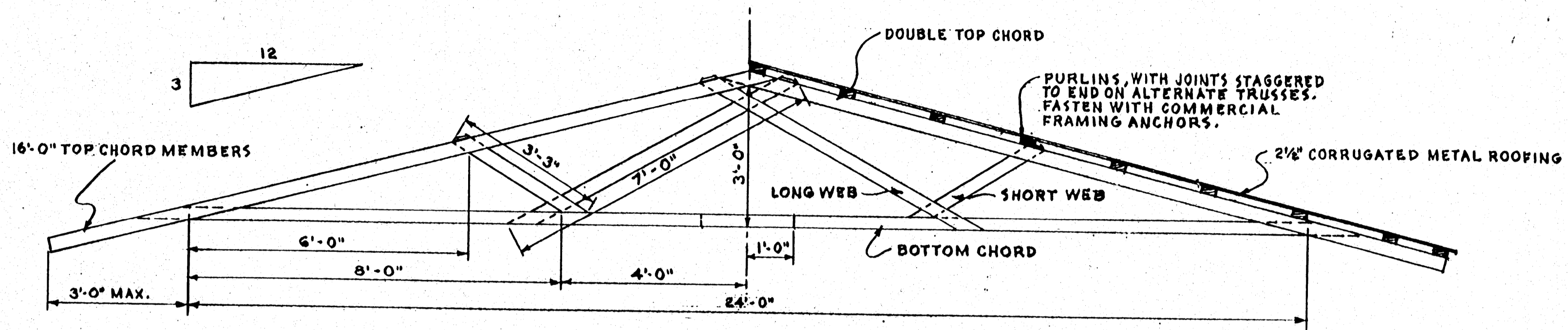
POST IS BONDED TO PIER WITH TWELVE 20d NAILS DRIVEN HALF-LENGTH INTO POST.

16" DIAMETER CONCRETE PIER AT EACH CORNER POST.

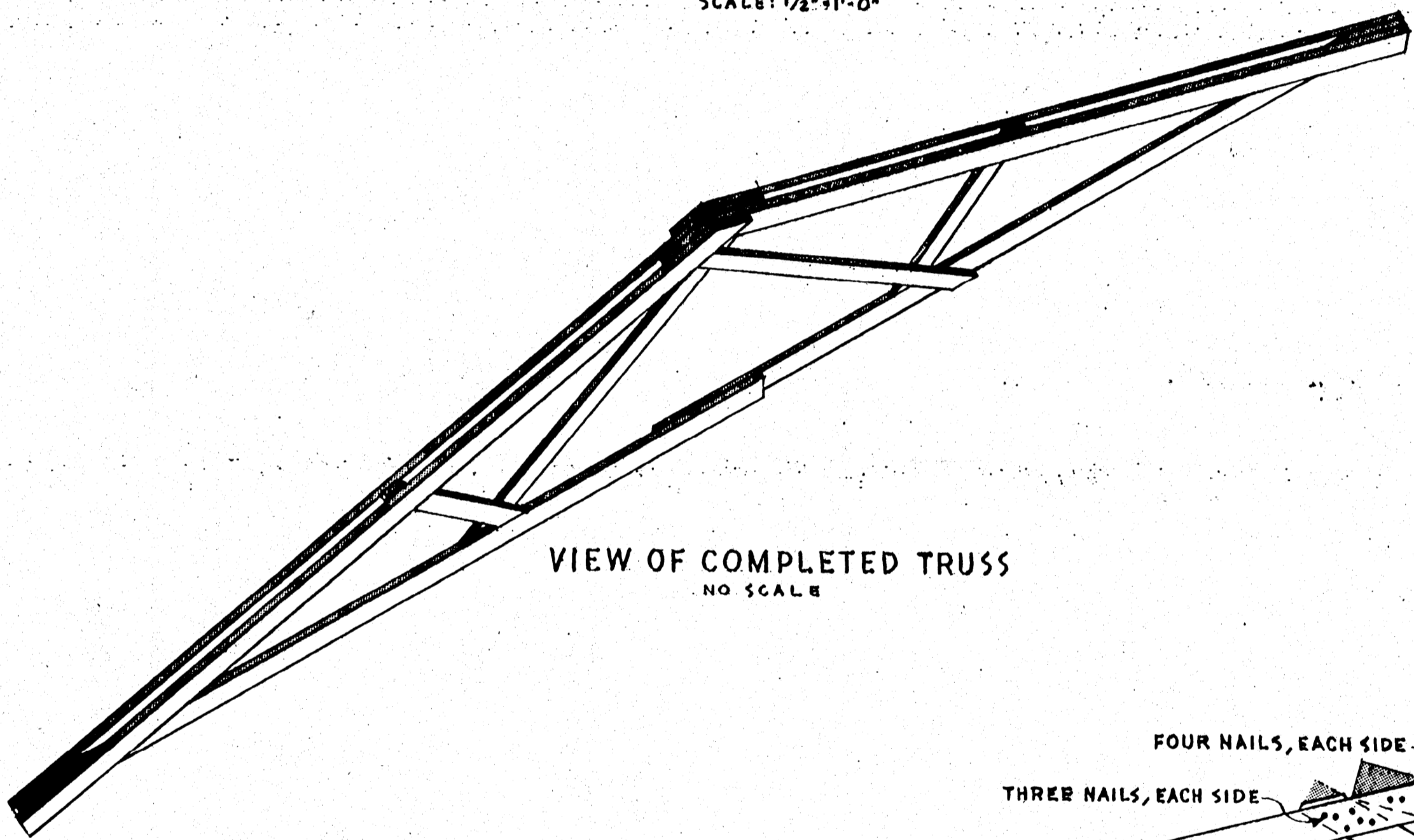
COOPERATIVE EXTENSION WORK IN AGRICULTURE AND HOME ECONOMICS
STATE OF MISSISSIPPI
MISSISSIPPI STATE UNIVERSITY
AND
UNITED STATES DEPARTMENT OF AGRICULTURE COOPERATING

TWO-CAR GARAGE
POST CONSTR.

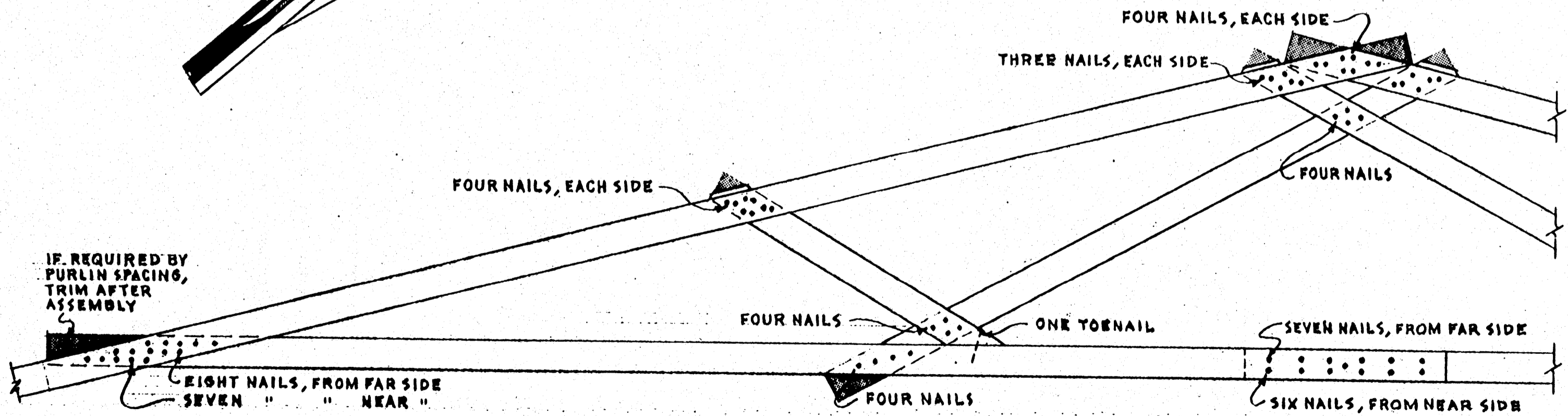
USDA '61 EX. 5930 SHEET 1 OF 2



ELEVATION
SCALE: 1/2" = 1'-0"



VIEW OF COMPLETED TRUSS
NO SCALE



THIS TRUSS IS DESIGNED TO SUPPORT LOADS UP TO 120 LBS PER FOOT OF SPAN, INCLUDING THE WEIGHT OF PURLINS AND ROOFING.

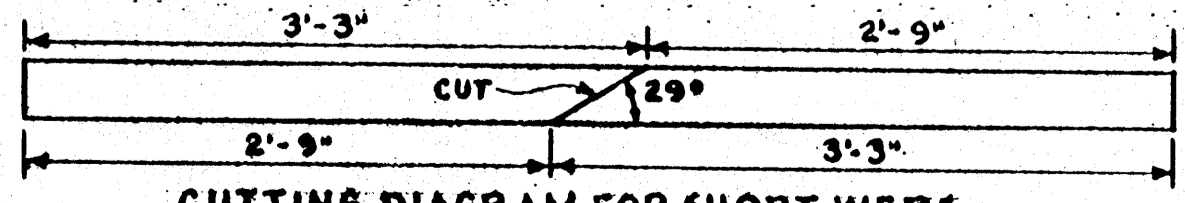
ALL LUMBER SHALL BE STRESS GRADED TO PROVIDE 1800 PSI FIBER STRESS IN BENDING, AND 1350 PSI IN COMPRESSION.

MATERIALS FOR ONE TRUSS:
TOP CHORD..... 4 PCS... 2"x4"x16'-0"
BOTTOM CHORD.. 2 " ... 2"x4"x14'-0"
LONG WEBS..... 1 " ... 2"x4"x14'-0"
SHORT WEBS.... 1 " ... 2"x4"x 6'-0"

NAILS..... 3 1/3 LBS.. 20d COMMON

ALL PROJECTING NAILS ARE TO BE CLINCHED.

TRUSSES SHOULD BE SECURELY ANCHORED TO THE SUPPORTING STRUCTURE.



CUTTING DIAGRAM FOR SHORT WEBS

CHECK ANGLE ON THE JOB.

ALL OTHER CUTS ARE MADE AFTER THE TRUSS IS ASSEMBLED.

JOINT DETAILS
SCALE: 1" = 1'-0"

COOPERATIVE EXTENSION WORK IN
AGRICULTURE AND HOME ECONOMICS
STATE OF MISSISSIPPI
MISSISSIPPI STATE UNIVERSITY
AND
UNITED STATES DEPARTMENT OF AGRICULTURE COOPERATING

TWO-CAR GARAGE
POST CONSTR.

USDA '61 EX. 5930 SHEET 2 OF 2