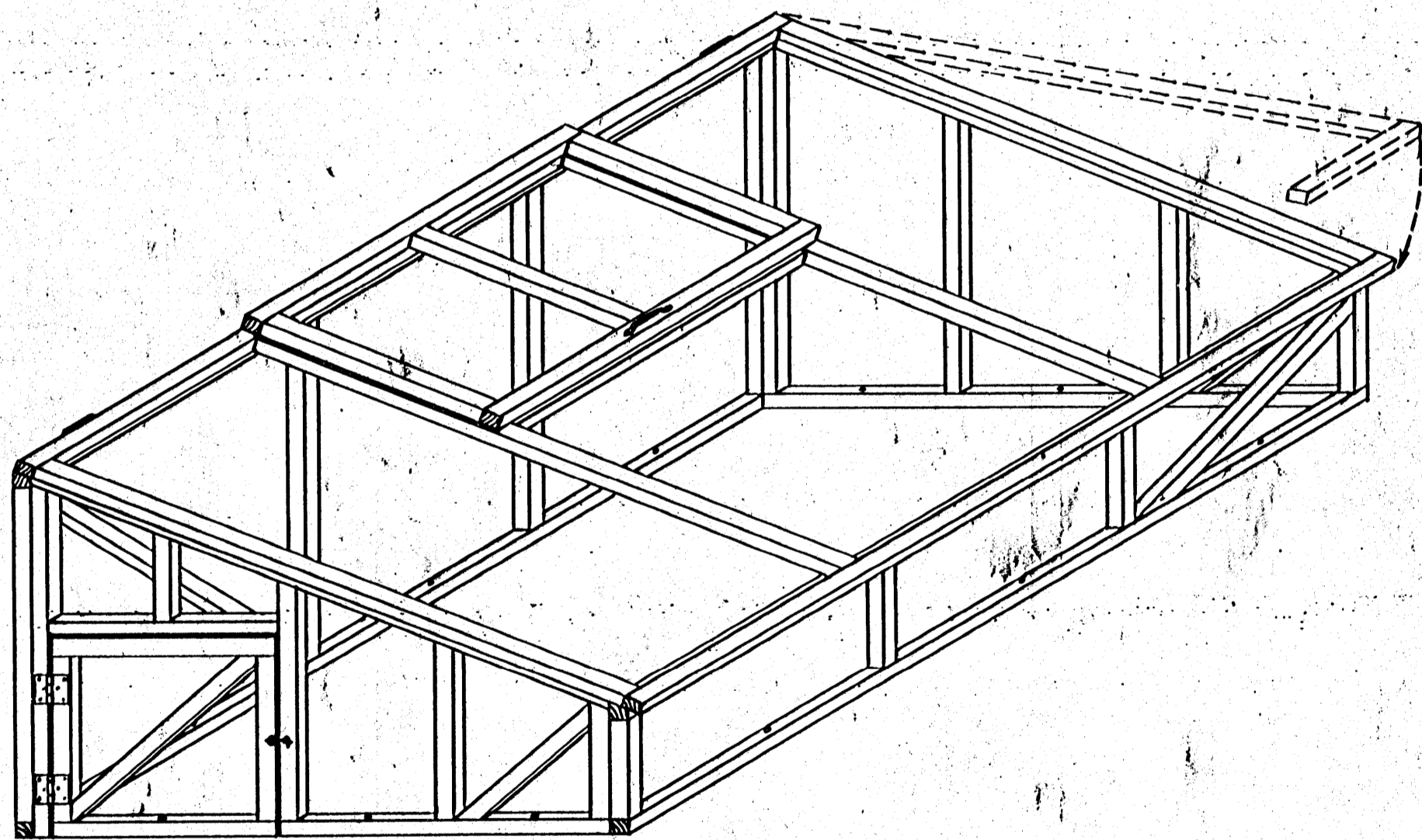
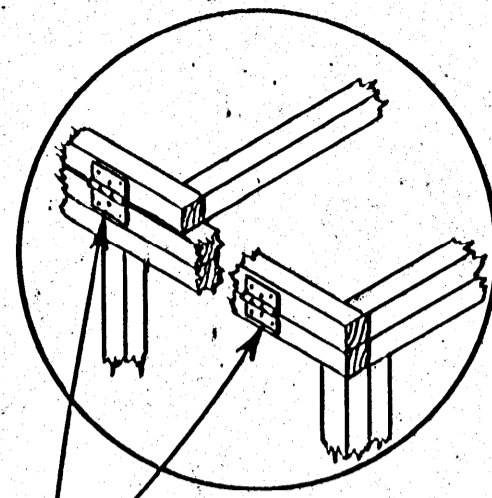
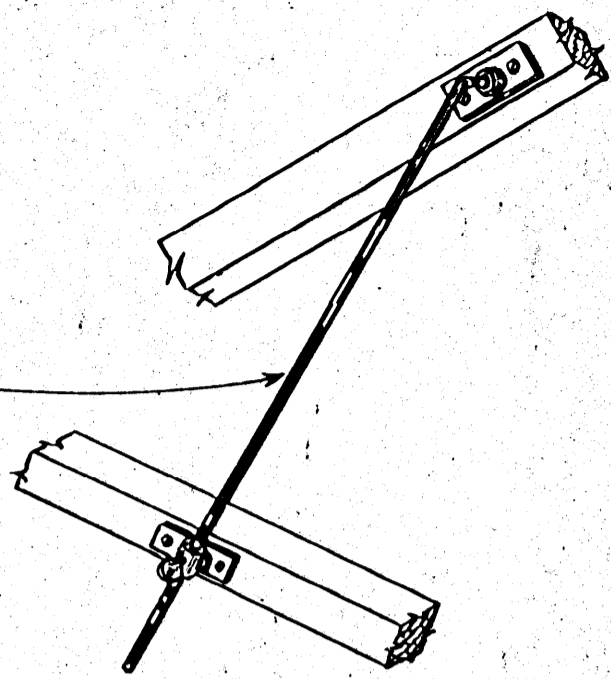
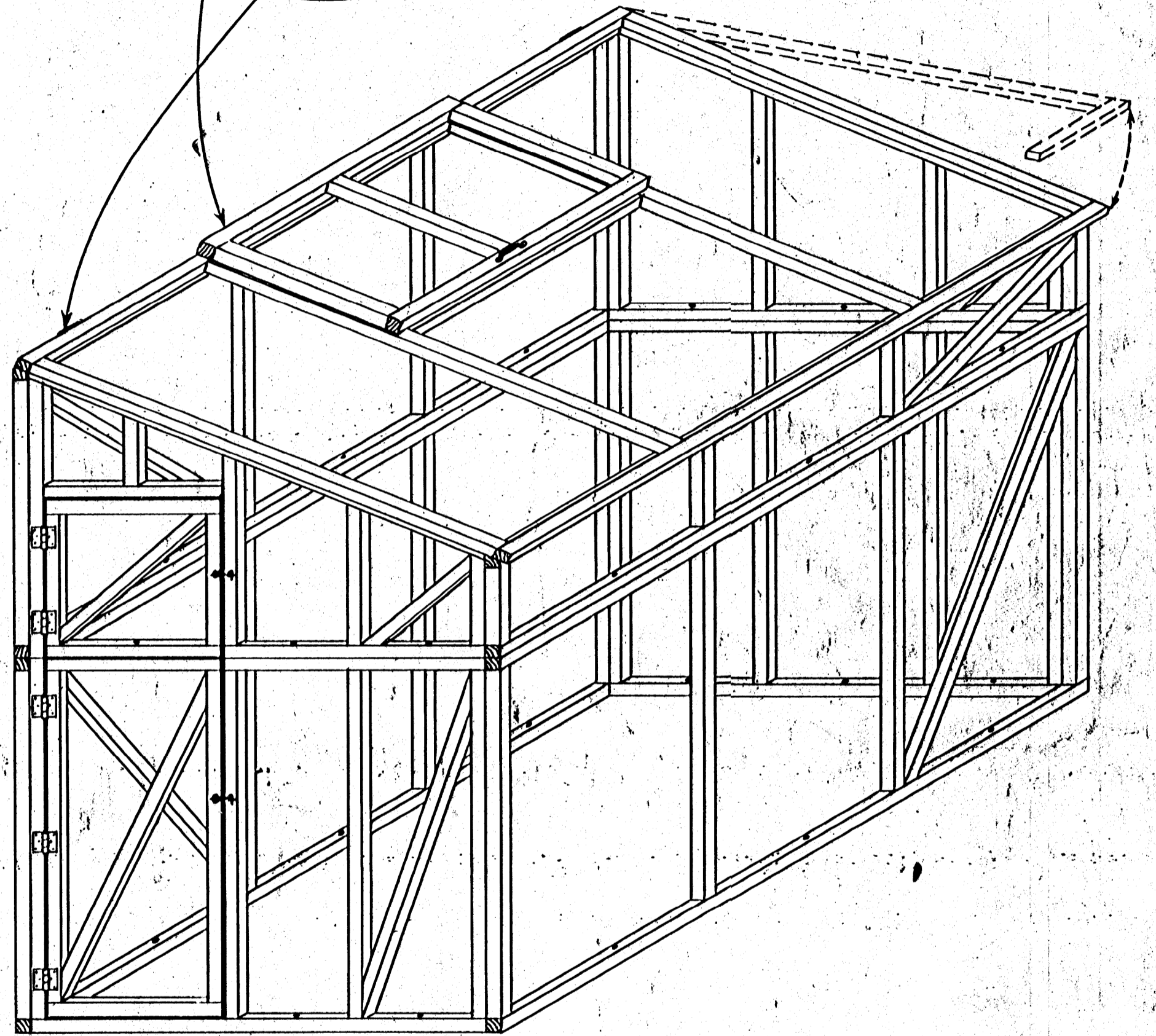


VENT OPEN



COLDFRAME UNIT

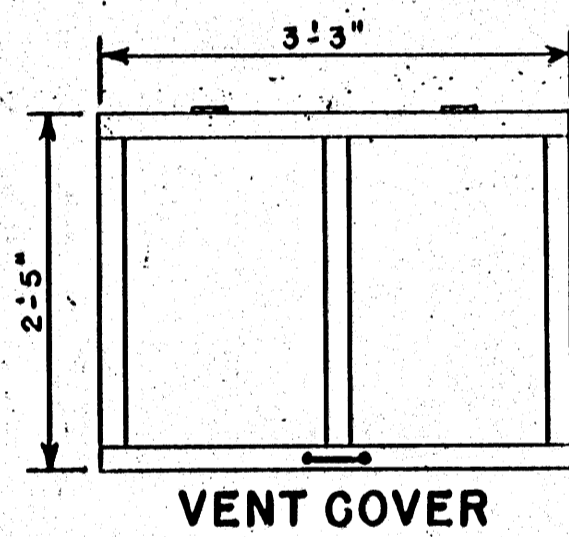
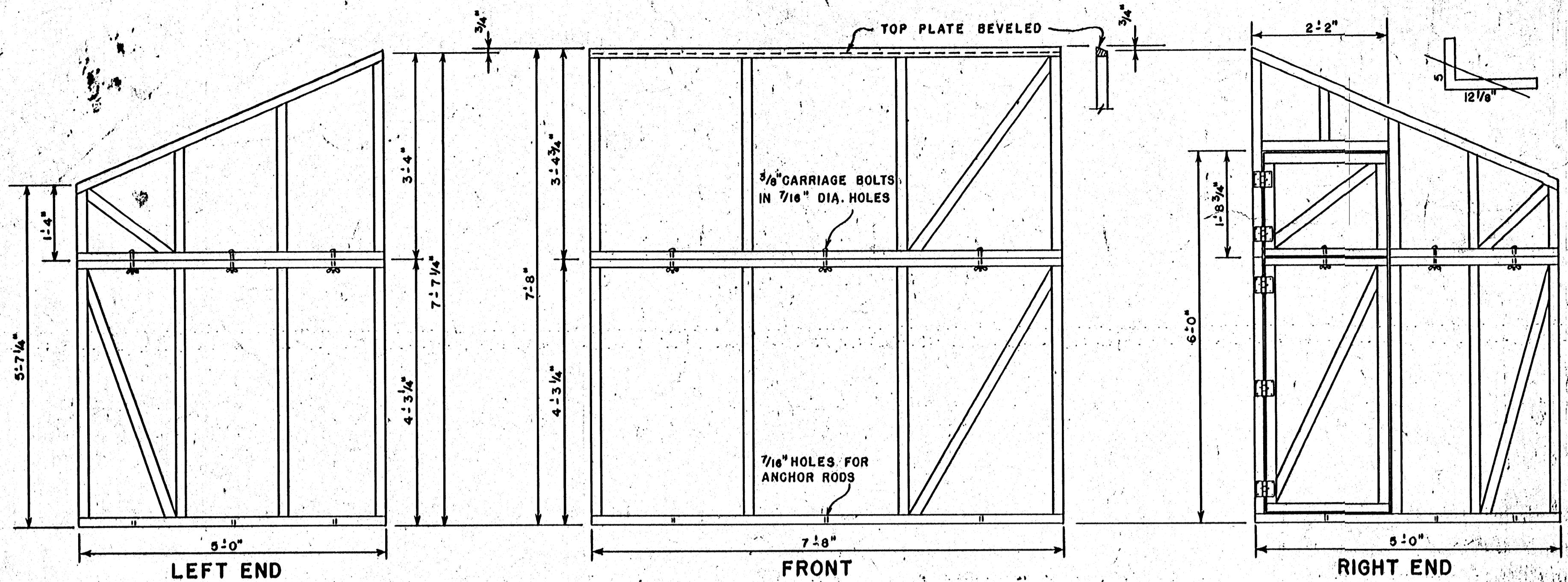


GREENHOUSE ASSEMBLY

COOPERATIVE EXTENSION WORK IN
 AGRICULTURE AND HOME ECONOMICS
 STATE OF MISSISSIPPI
 MISSISSIPPI STATE UNIVERSITY
 AND
 UNITED STATES DEPARTMENT OF AGRICULTURE COOPERATING

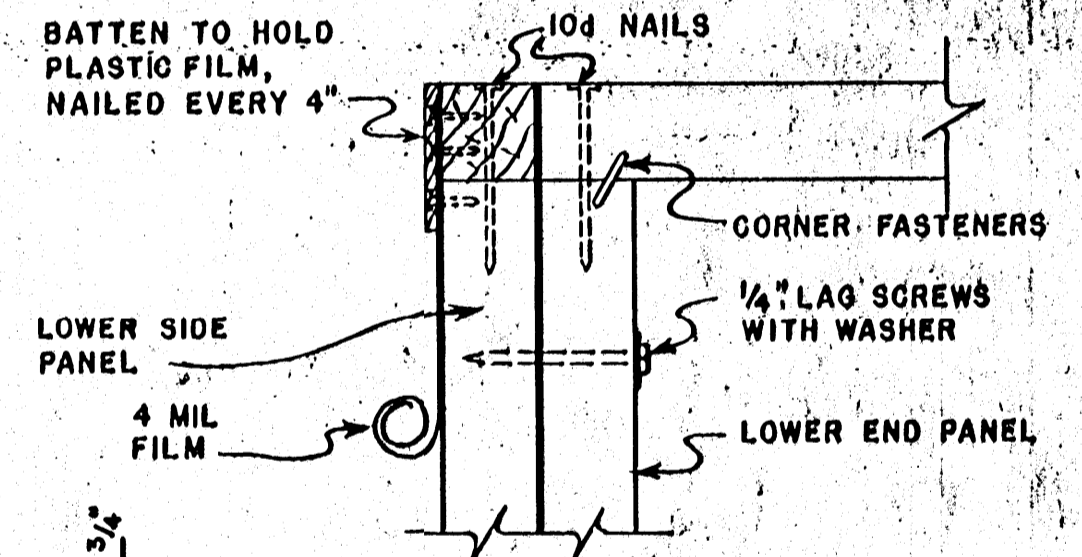
PLASTIC COVERED
GREENHOUSE-COLDFRAME

ORE. '62 EX 5941 SHEET 1 OF 2



PANEL FRAMING DETAILS

ALL FRAMING MEMBERS ARE 2"x2", TREATED WITH PRESERVATIVE AFTER CUTTING.
 CHECK ALL DIMENSIONS ON THE JOB.
 ANCHOR TO GROUND WITH 3/8"x15" STEEL RODS WITH TOP 2" BENT 90°.
 5 PAIR 3"x3" LOOSE-PIN BUTT HINGES ARE REQ'D.



FASTENING DETAIL

