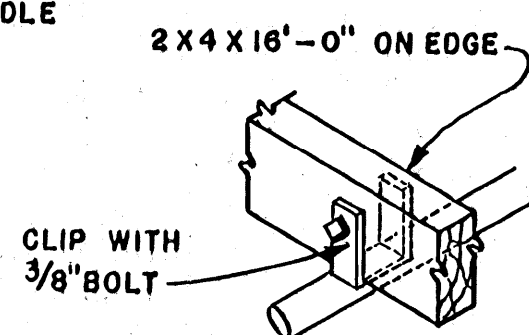
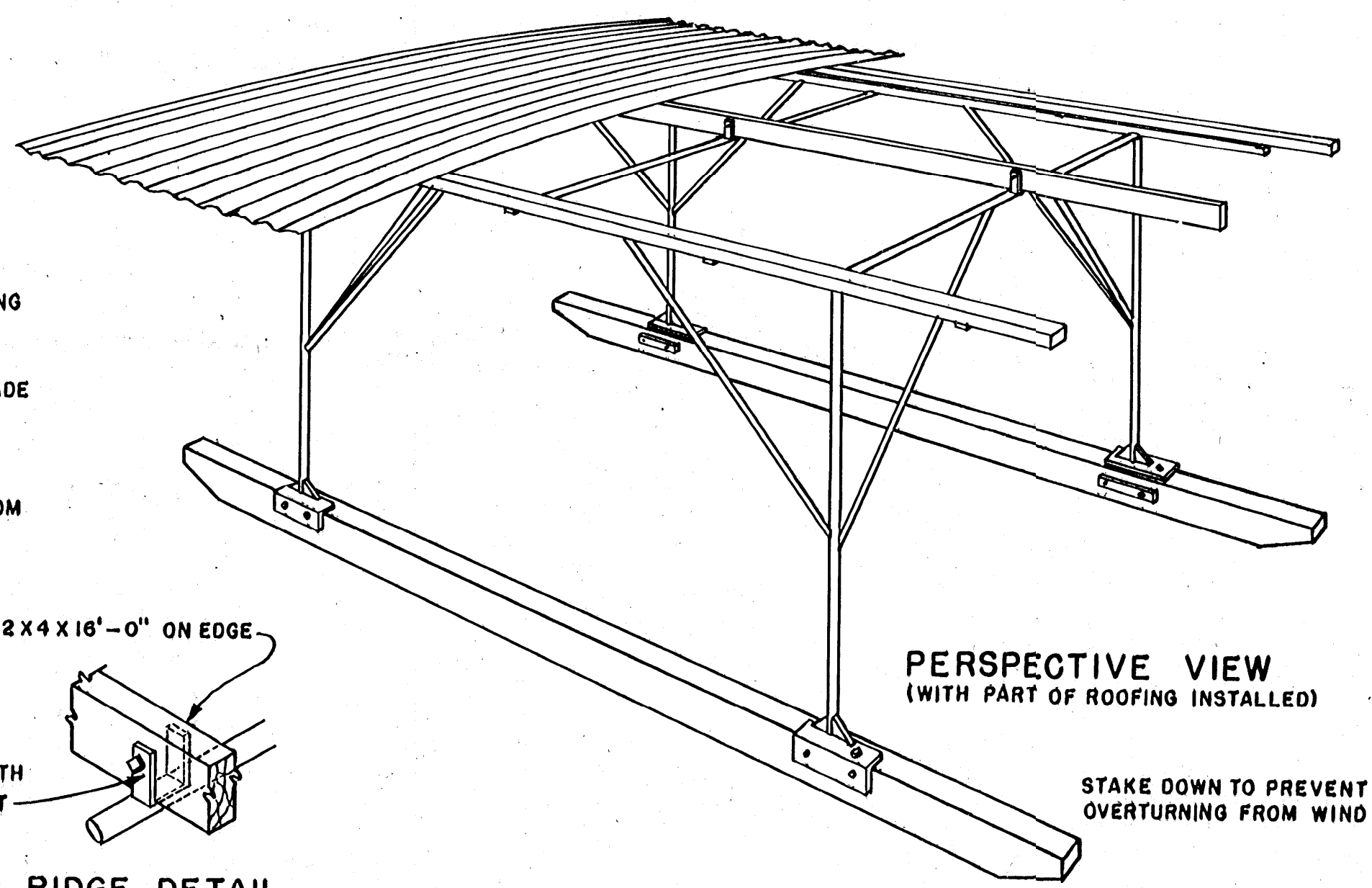
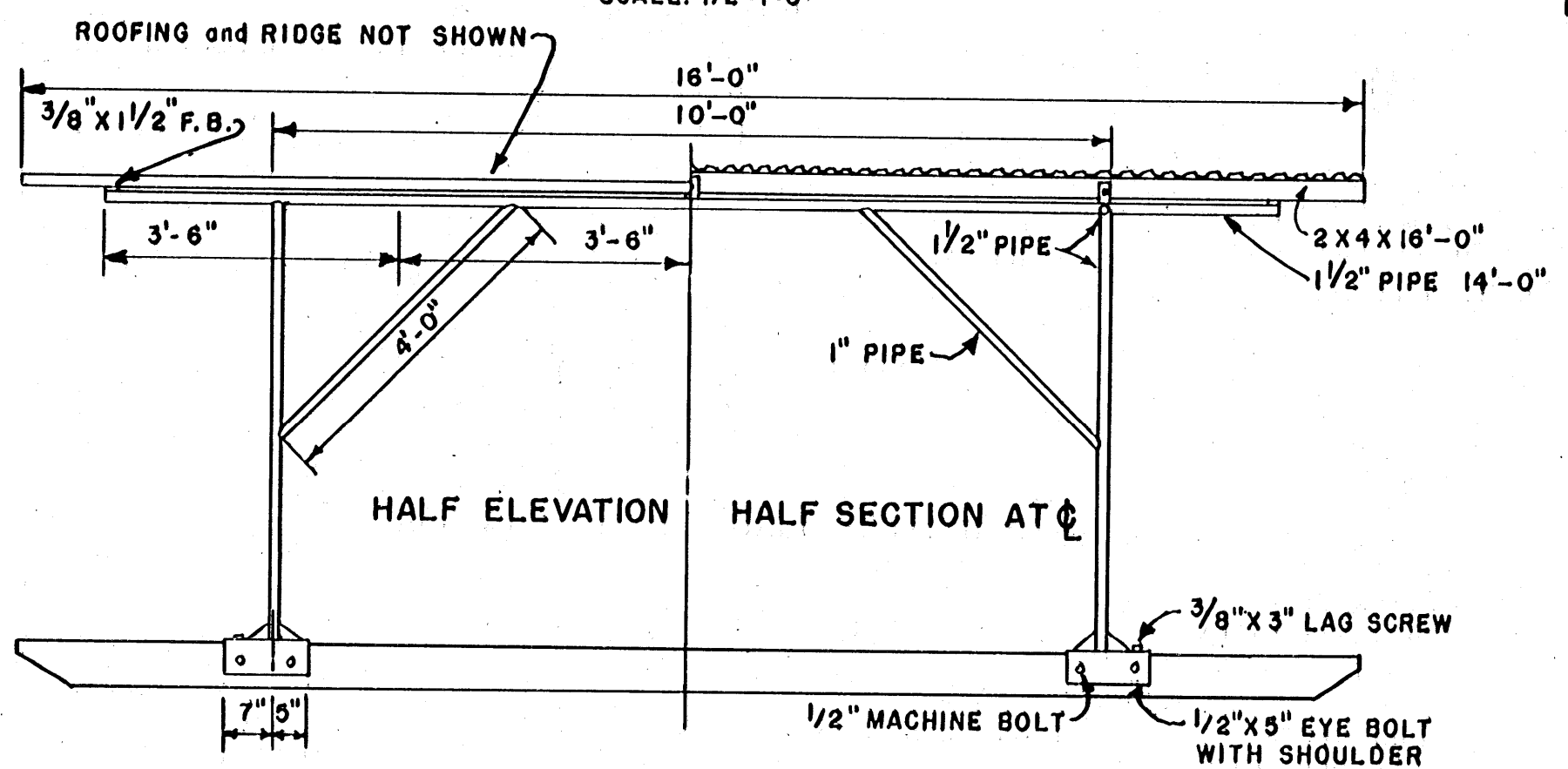


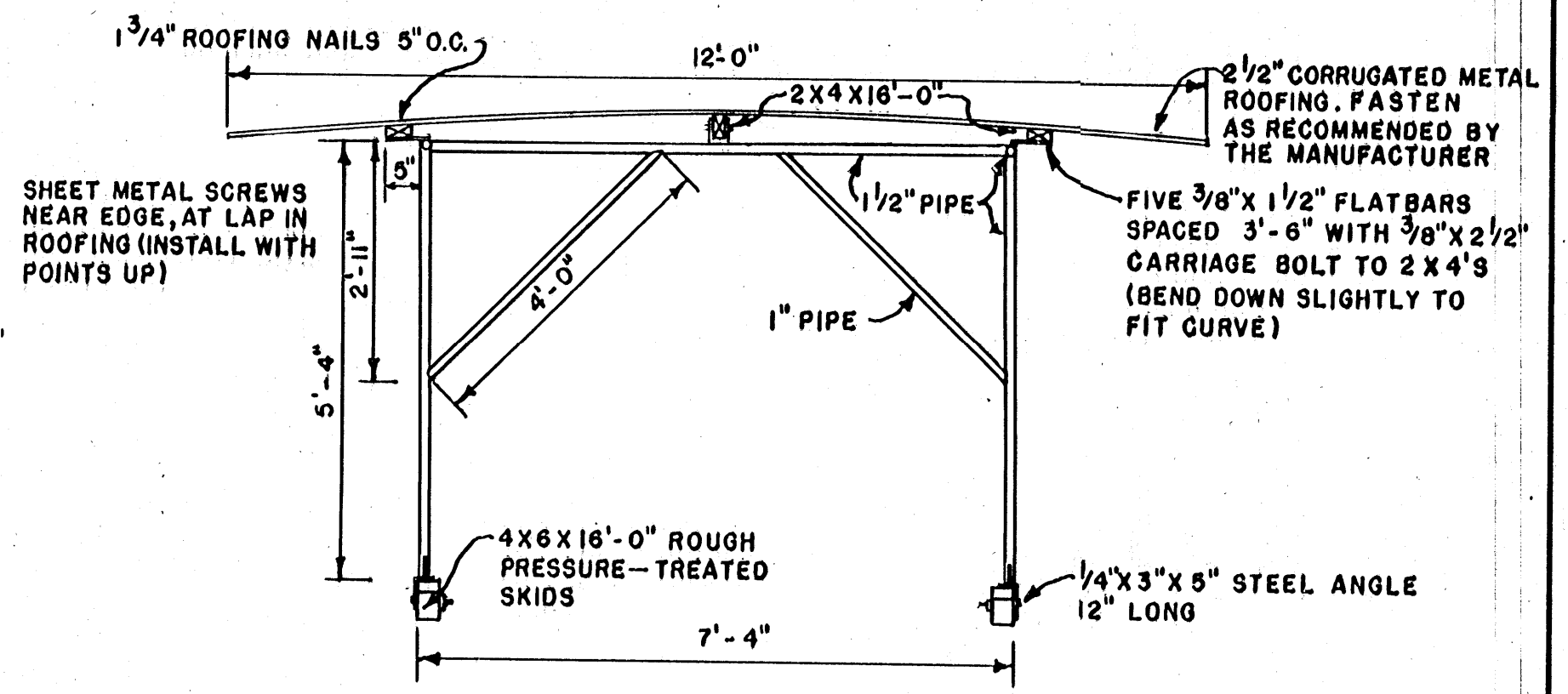
PLAN
SCALE: 1/2" = 1'-0"



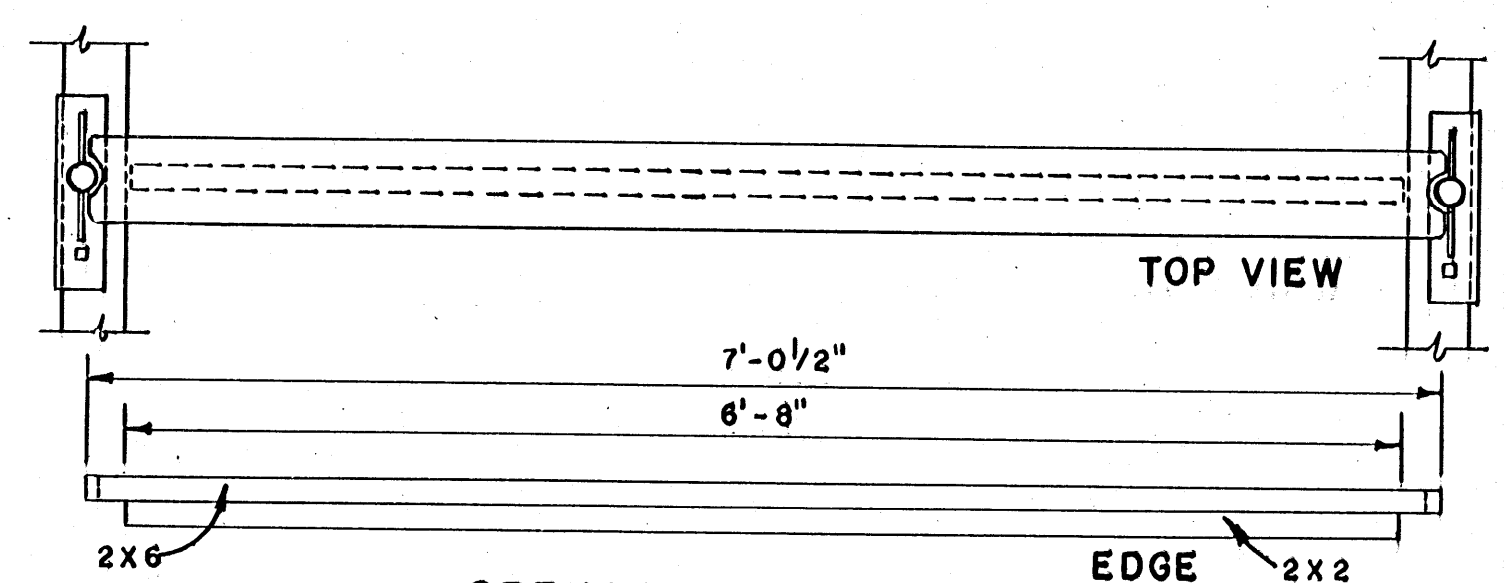
RIDGE DETAIL
SCALE: 1/2" = 1'-0"



SIDE VIEW
SCALE: 1/2" = 1'-0"

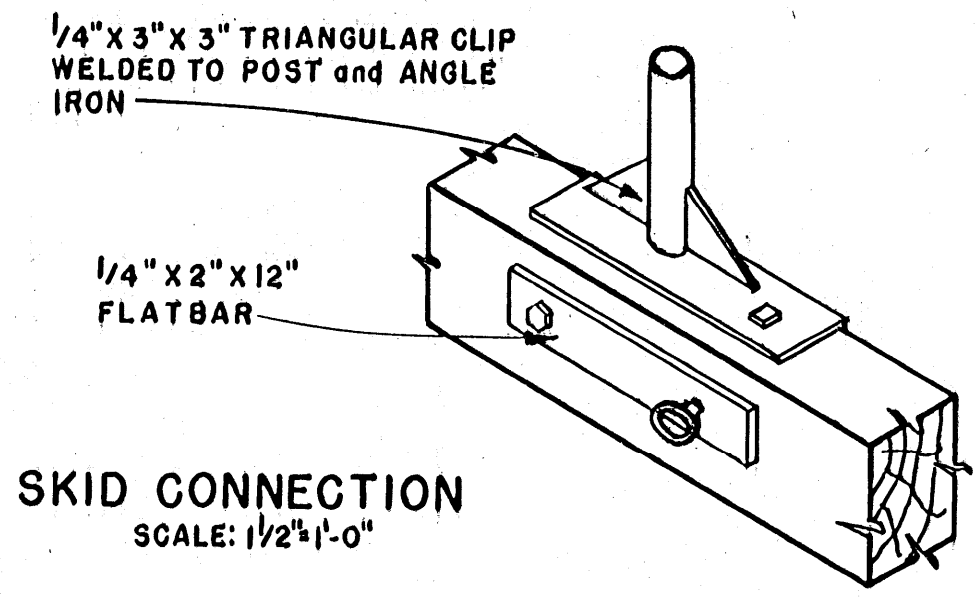


END VIEW
SCALE: 1/2" = 1'-0"



SPREADER STRUT
SCALE: 1" = 1'-0"

NOTE: ONLY ONE REQUIRED REGARDLESS OF NUMBER OF SHADES USED



SKID CONNECTION
SCALE: 1/2" = 1'-0"

NOTE: ALL METAL TO METAL CONNECTIONS WELDED EXCEPT WHERE OTHERWISE NOTED

COOPERATIVE EXTENSION WORK IN AGRICULTURE AND HOME ECONOMICS
STATE OF MISSISSIPPI
MISSISSIPPI STATE UNIVERSITY
AND
UNITED STATES DEPARTMENT OF AGRICULTURE COOPERATING

PORTABLE SHADE FOR HOGS

USDA 1963 EX. 5947 SHEET 1 OF 1