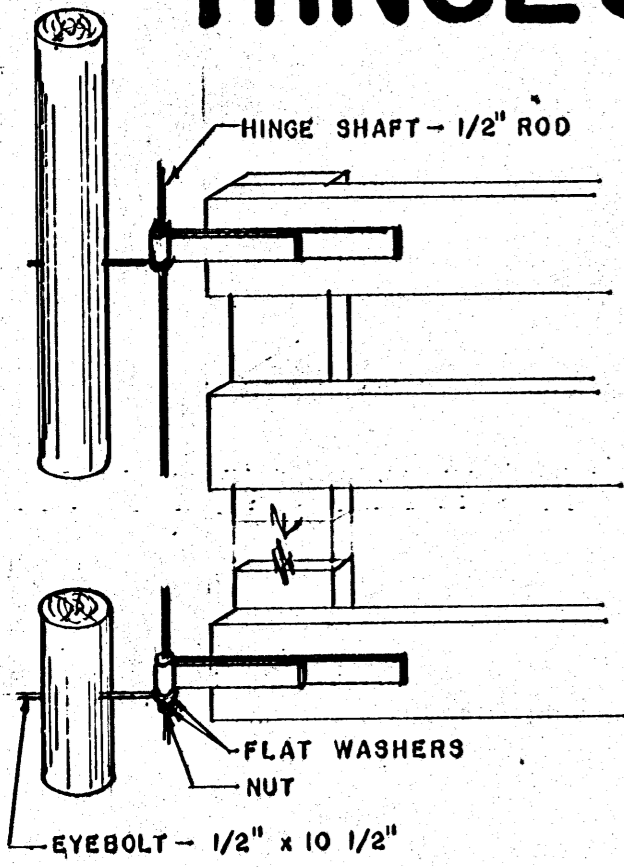
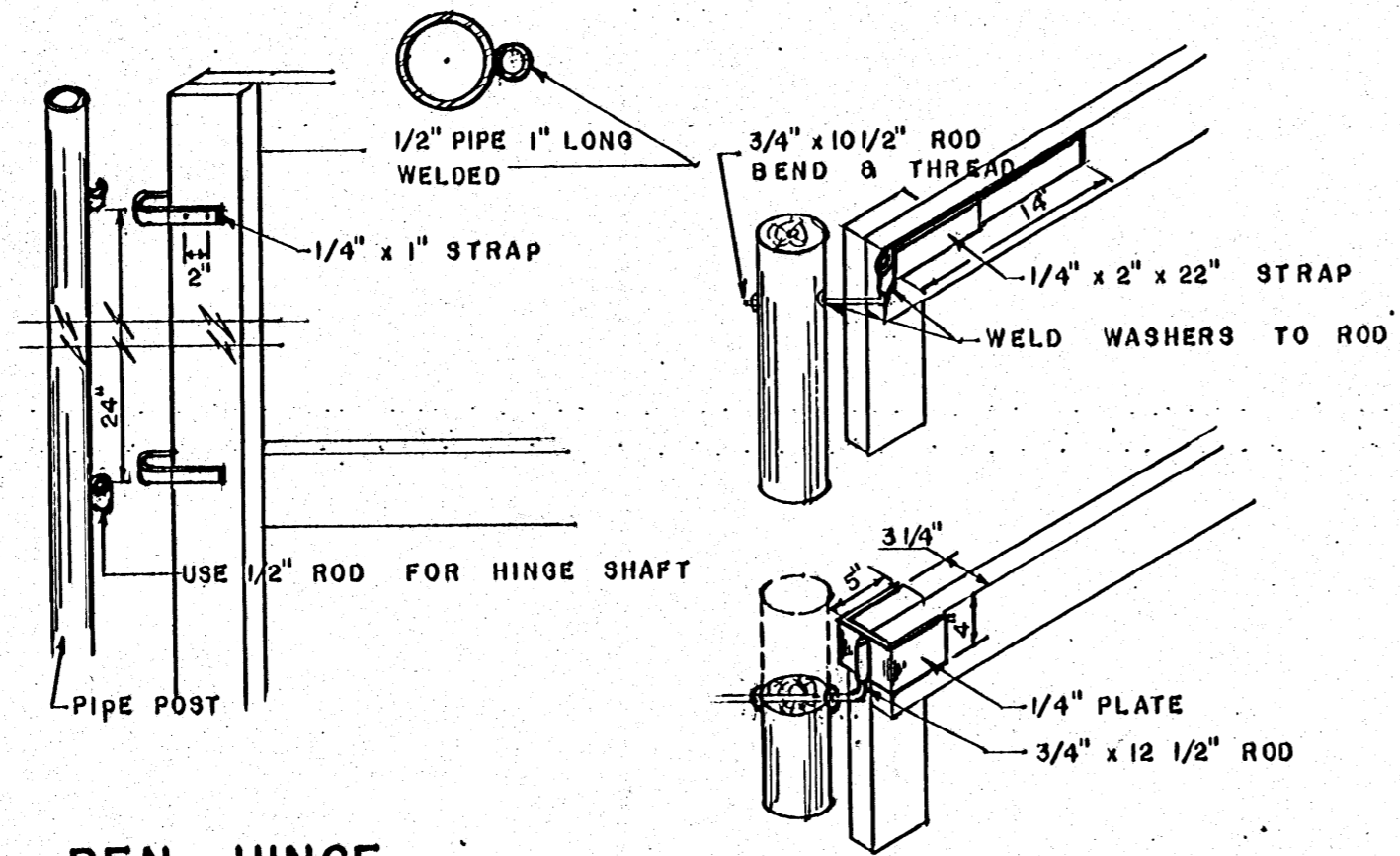


# HINGES & LATCHES

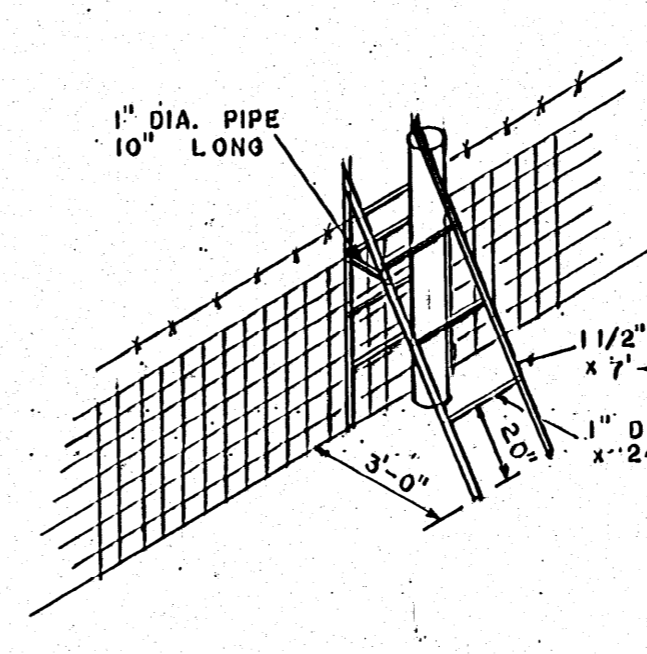
# STILES & PASSES



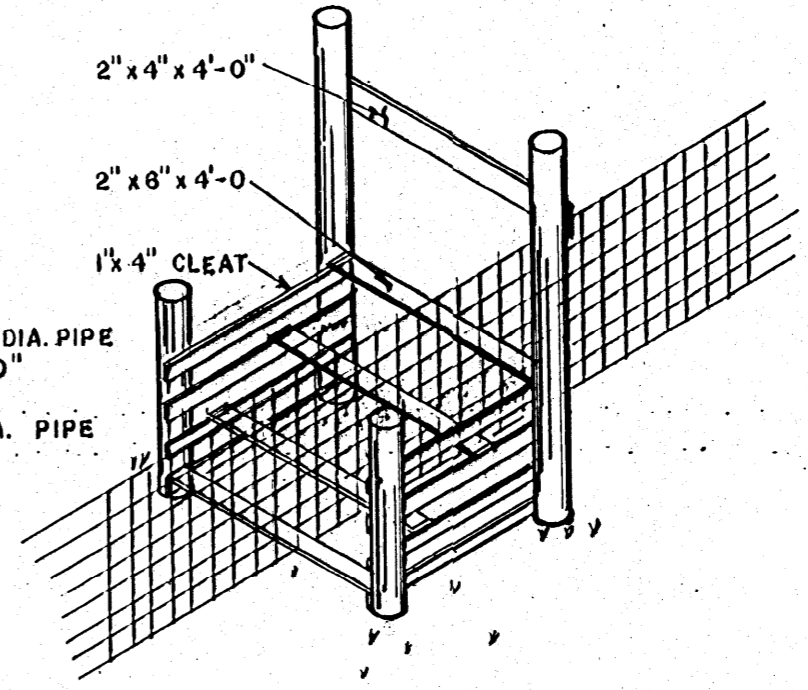
**LOT & FIELD HINGE**



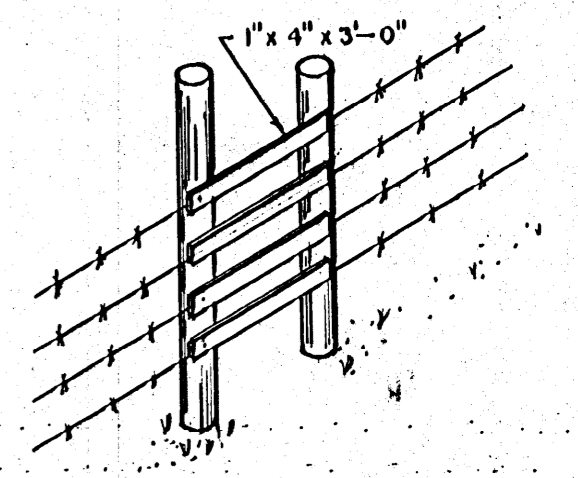
**PEN HINGE**



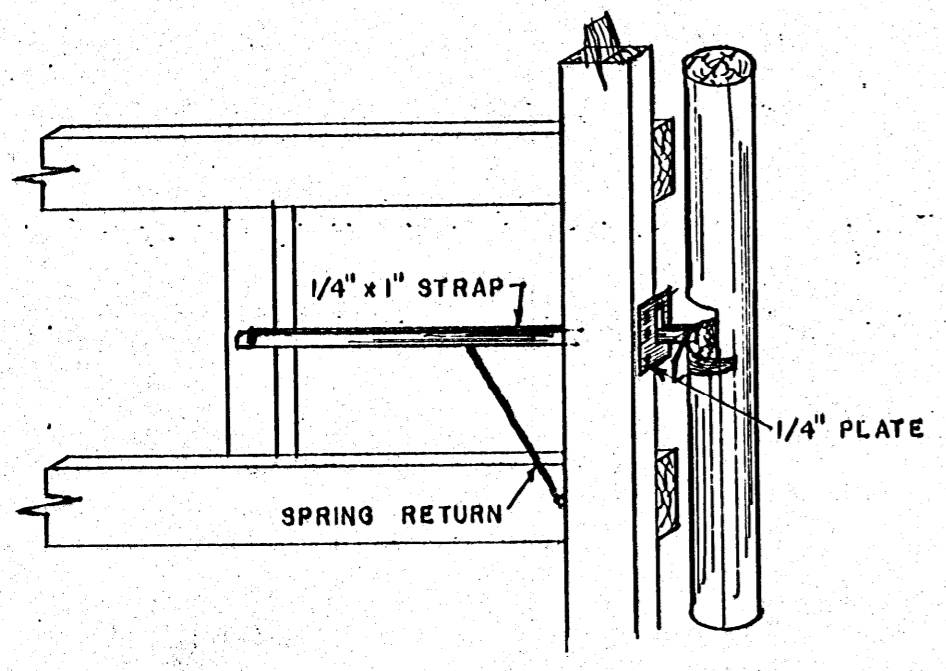
**HOG PASS**



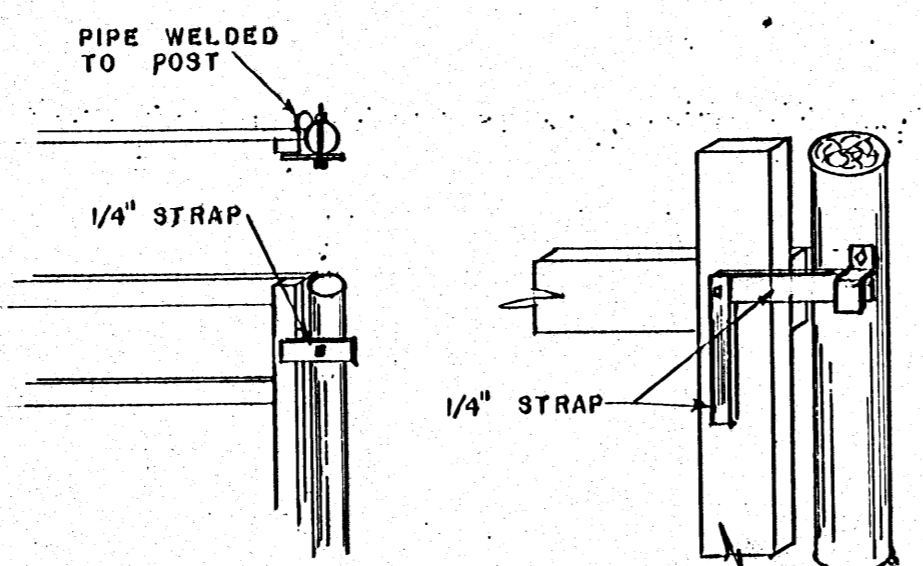
**MAN PASS**



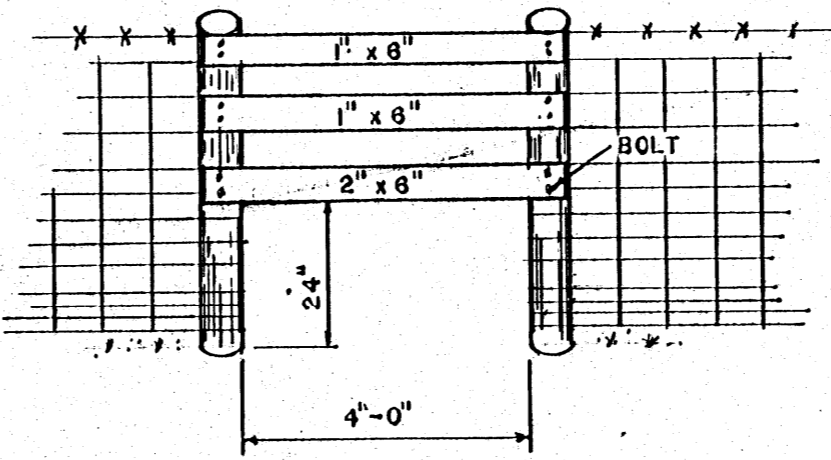
**SAFETY PASS**



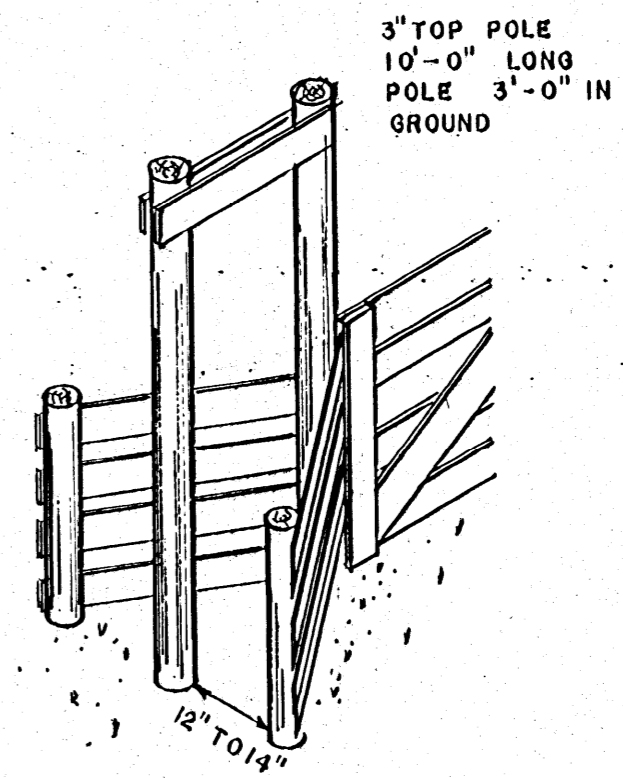
**STRAP IRON LATCH**  
(LOCKS AUTOMATICALLY)



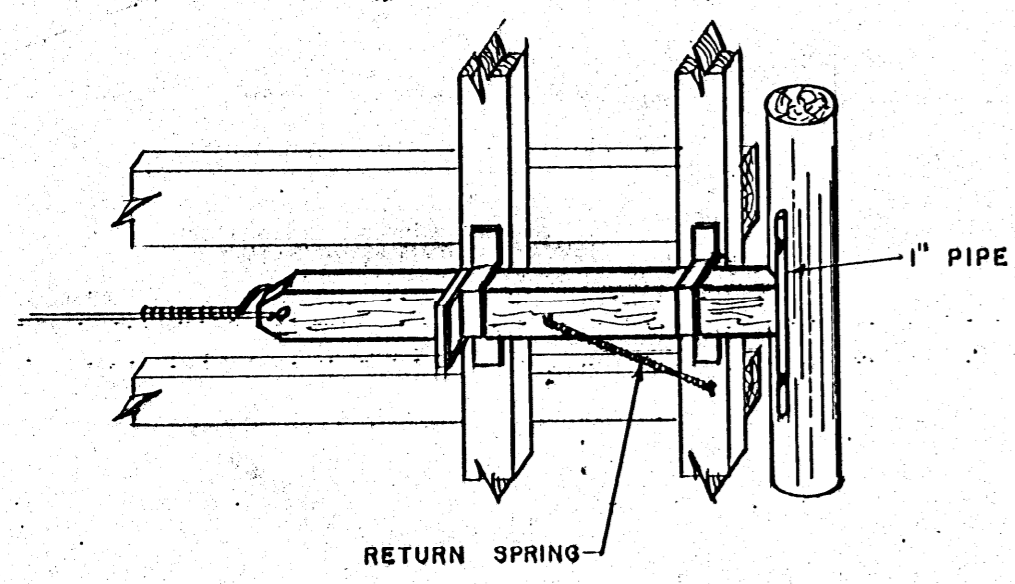
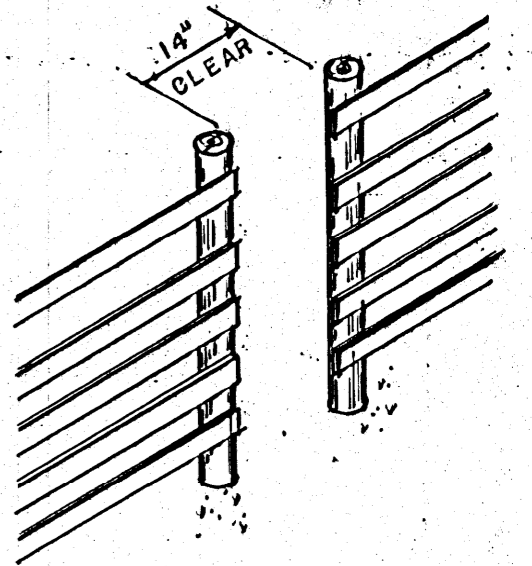
**SWIVEL LATCH**



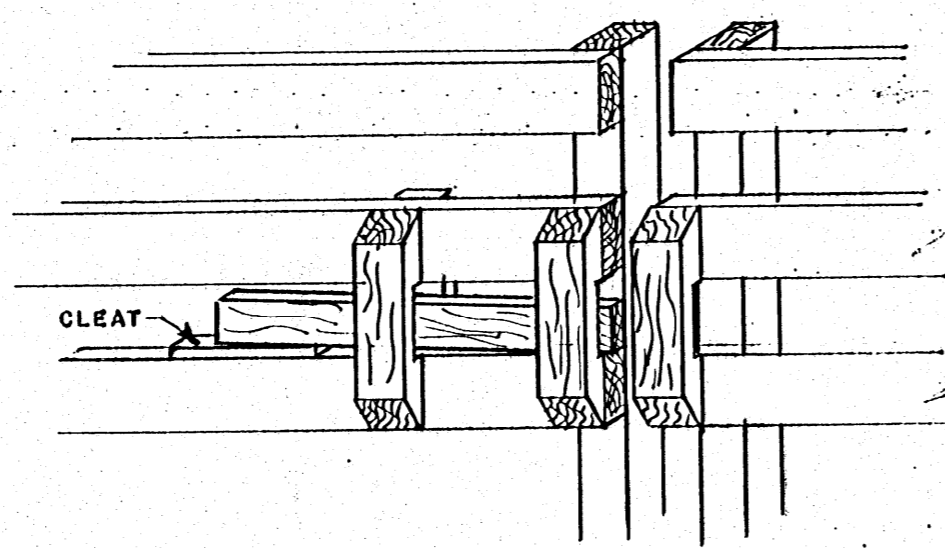
**CATTLE PASS**  
(CLOSED TO HQGS)



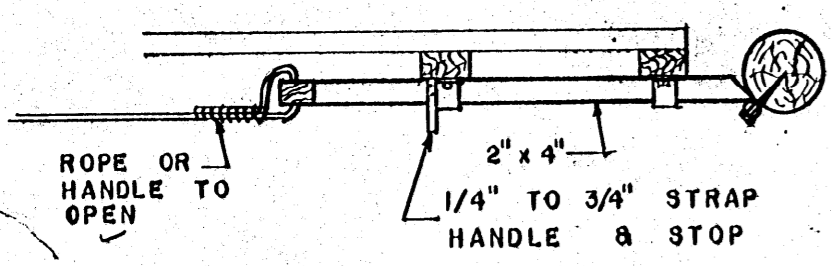
SECTION



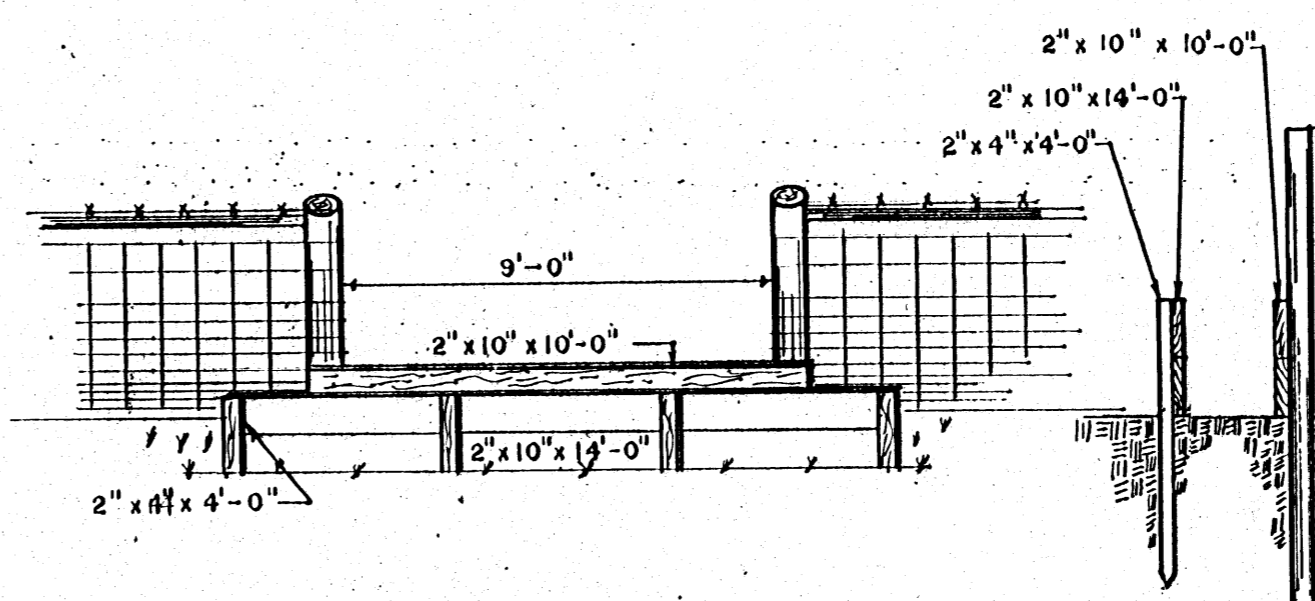
**SELF-LOCKING LATCH**



**SLIDE STICK LATCH**



PLAN



<b>HINGES &amp; LATCHES STILES &amp; PASSES</b>	
COOPERATIVE EXTENSION SERVICE STATE OF MISSISSIPPI	
MISSISSIPPI STATE UNIVERSITY AND	
UNITED STATES DEPARTMENT OF AGRICULTURE COOPERATING	
DRAWN BY: R.F.W.	CHECKED BY: L.M.
DATE: JUNE '71	DWG. NO. 5961-E SHEET 1 OF 1