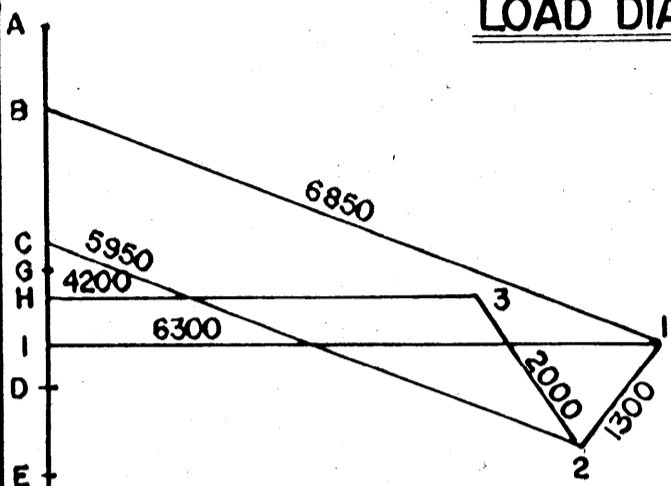


LOAD DIAGRAM

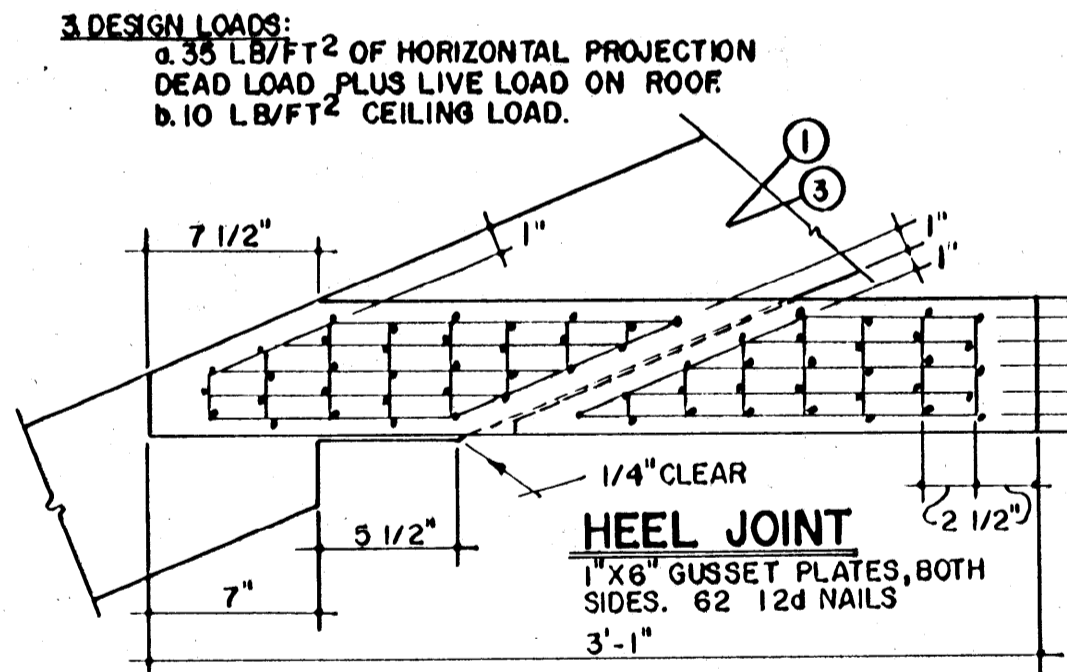


STRESS DIAGRAM

SCALE 1" = 2000 LB.

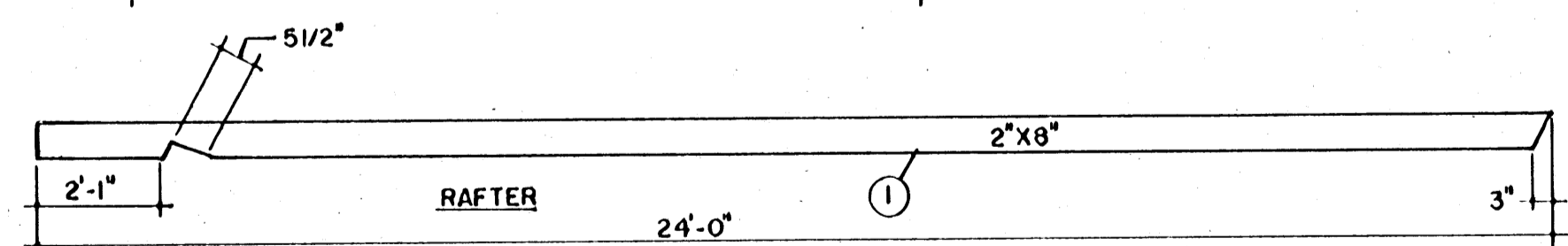
DESIGN NOTES

- 1. LUMBER: F = 1500 LB/IN² + 15%
C = 1200 LB/IN² + 15%
E = 1,760,000 LB/IN²
- 2. NAILS: 3/4" x 0.135"
SINGLE SHEAR = 108 LB
DOUBLE SHEAR = 216 LB
- 3. DESIGN LOADS:
a. 35 LB/FT² OF HORIZONTAL PROJECTION
DEAD LOAD PLUS LIVE LOAD ON ROOF.
b. 10 LB/FT² CEILING LOAD.



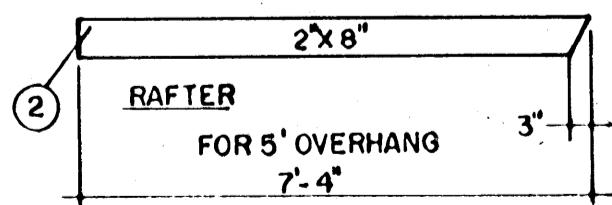
HEEL JOINT

1" x 8" GUSSET PLATES, BOTH SIDES. 62 12d NAILS



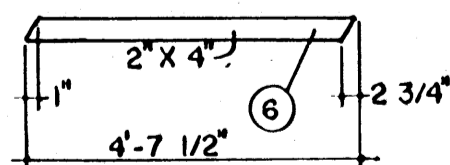
RAFTER

24'-0"

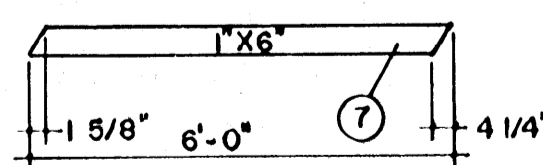


RAFTER FOR 5' OVERHANG

7'-4"

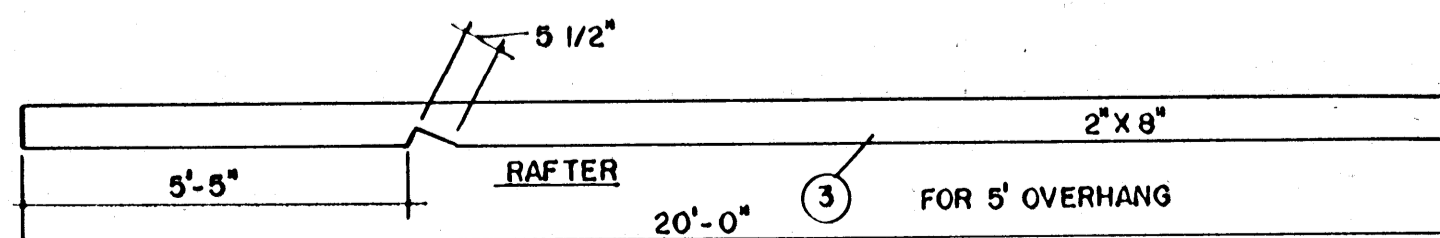


COMPRESSION DIAGONALS



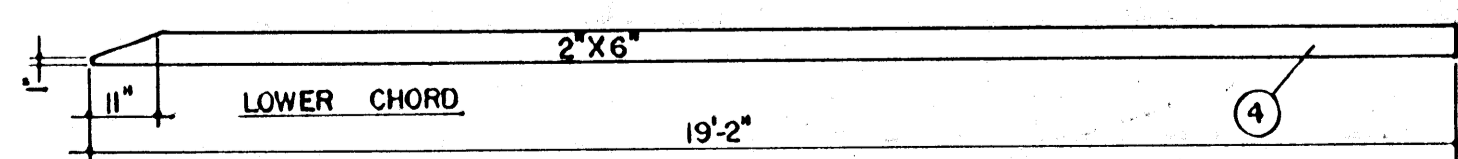
TENSION DIAGONAL

6'-0"



RAFTER FOR 5' OVERHANG

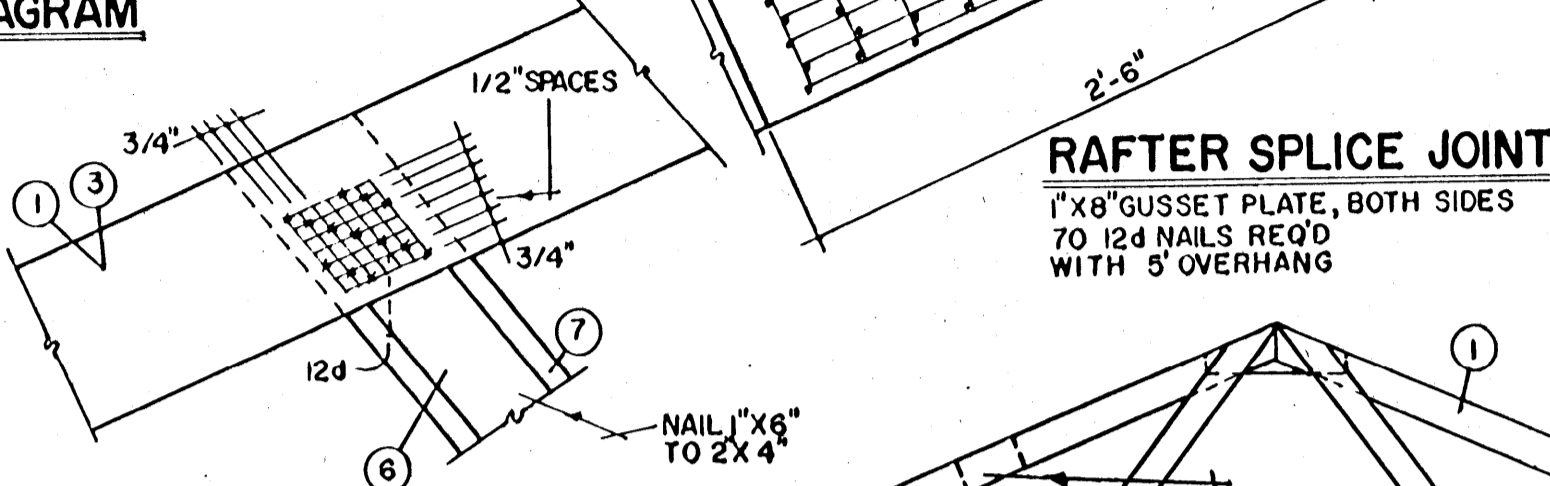
20'-0"



LOWER CHORD

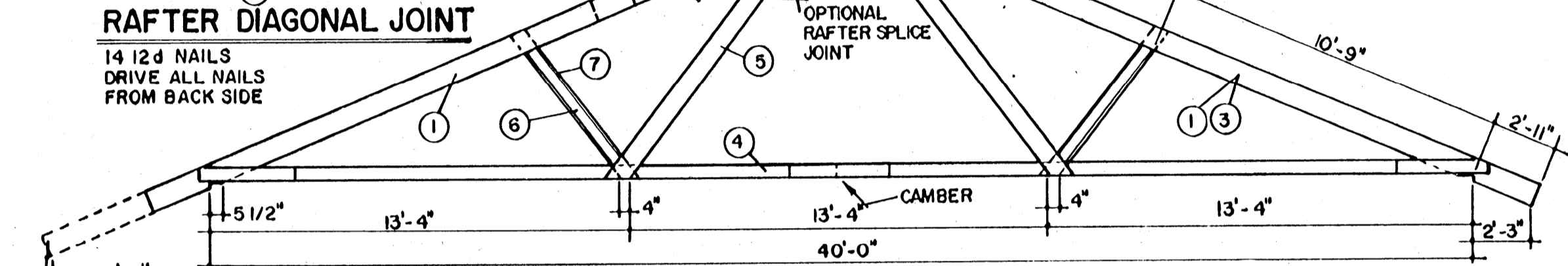
19'-2"

MEMBER DETAILS SCALE 3/8" = 1'-0"



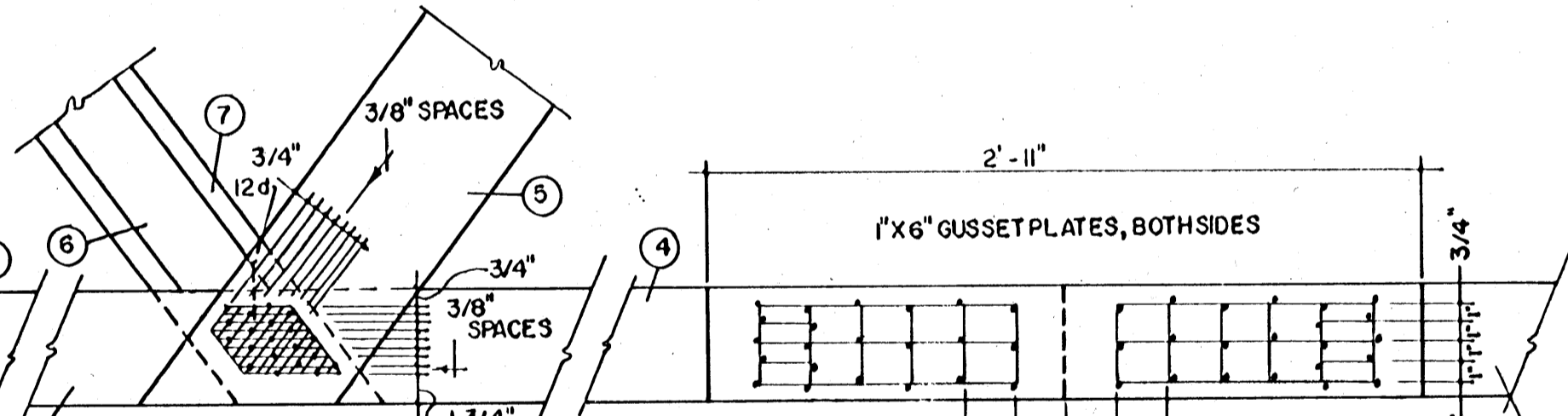
RAFTER SPLICE JOINT

1" x 8" GUSSET PLATE, BOTH SIDES 70 12d NAILS REQ'D WITH 5" OVERHANG



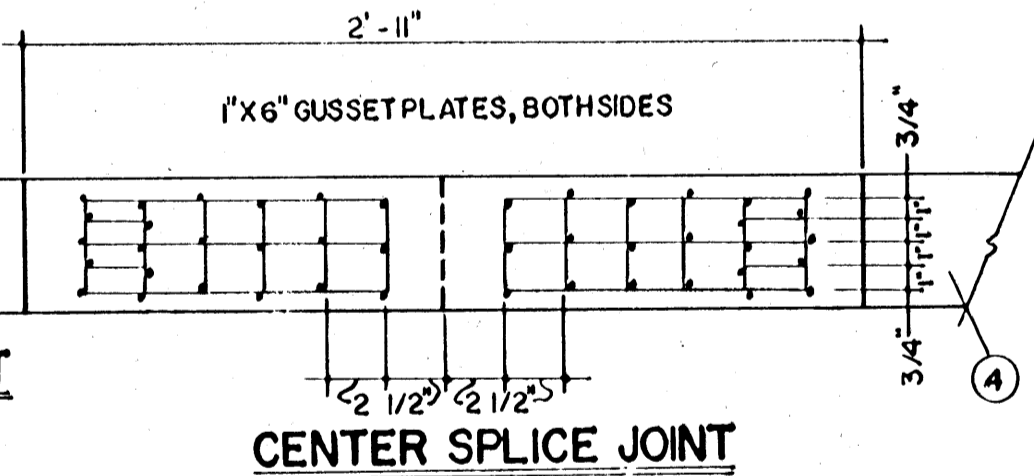
FRONT ELEVATION OF TRUSS

SCALE 1/4" = 1'-0"

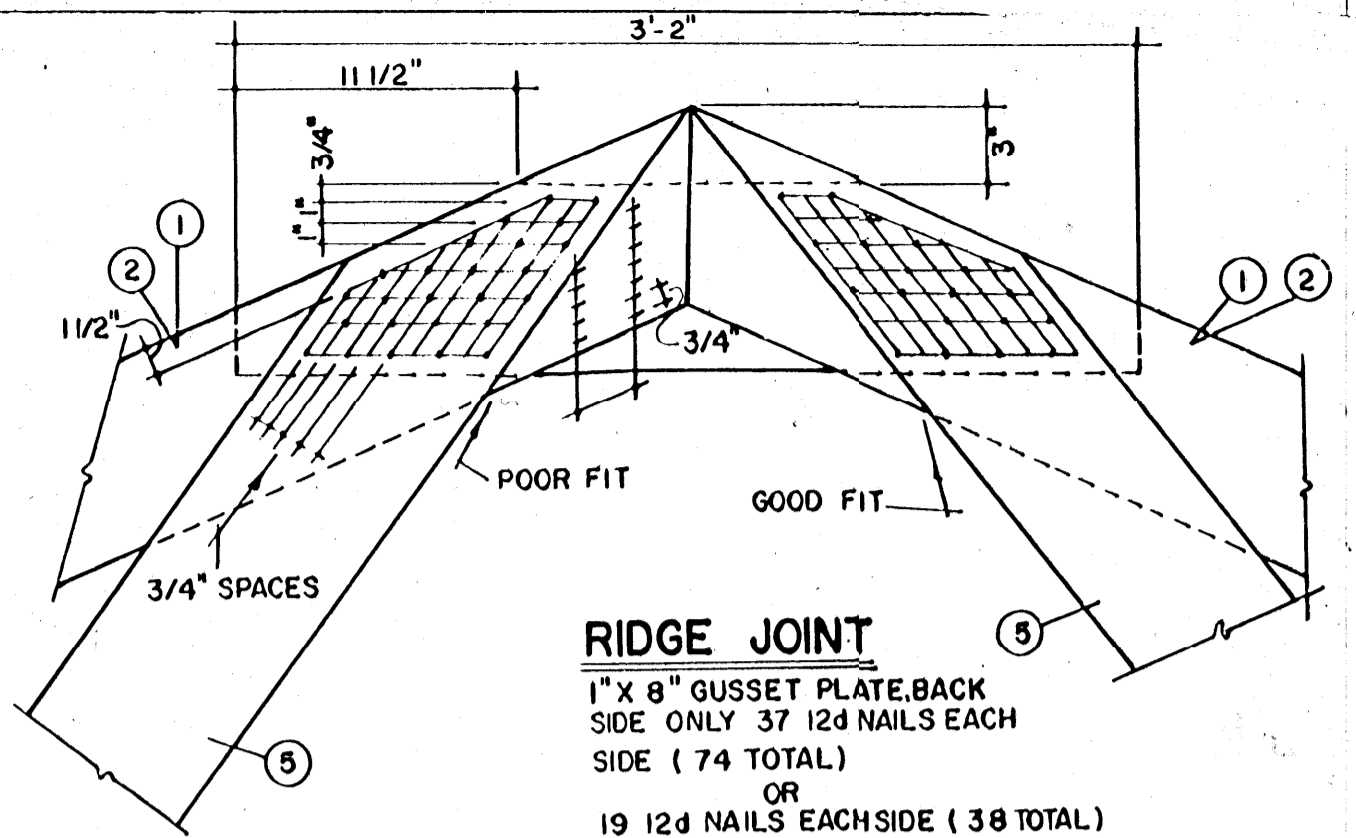


LOWER CHORD-DIAGONAL JOINT

21 12d NAILS



CENTER SPLICE JOINT



RIDGE JOINT

1" x 8" GUSSET PLATE, BACK SIDE ONLY 37 12d NAILS EACH SIDE (74 TOTAL)
OR
19 12d NAILS EACH SIDE (38 TOTAL) DEPENDING ON RAFTER BEARING FIT.

NOTES & SPECIFICATIONS

- LUMBER: CONSTRUCTION GRADE DOUGLAS FIR OR EQUIVALENT.
- TRUSSES SPACED 4'-0" ON CENTERS.
- CAMBER: 1" AT CENTER SPLICE.
- NAILS: USE HARDENED, HELICALLY THREADED NAILS OR EQUIVALENT
- DRIVE ALL NAILS FROM THE FRONT EXCEPT THOSE SHOWN AS X
- MAKE AND USE A NAILING TEMPLATE FOR LOCATING ALL NAILS.
- MINIMUM END GRAIN NAIL SPACING, ALL MEMBERS: 2 1/2" - 3"
- MINIMUM EDGE GRAIN NAIL SPACING, ALL MEMBERS: 3/4" - 1"

COOPERATIVE EXTENSION WORK IN AGRICULTURE AND HOME ECONOMICS
STATE OF MISSISSIPPI
MISSISSIPPI STATE UNIVERSITY
AND
UNITED STATES DEPARTMENT OF AGRICULTURE COOPERATING

40' NAILED TRUSS
5 IN 12 SLOPE, 4'-0" SPACING

MASS. '67	EX. 6007	SHEET 1 OF 1
-----------	----------	--------------