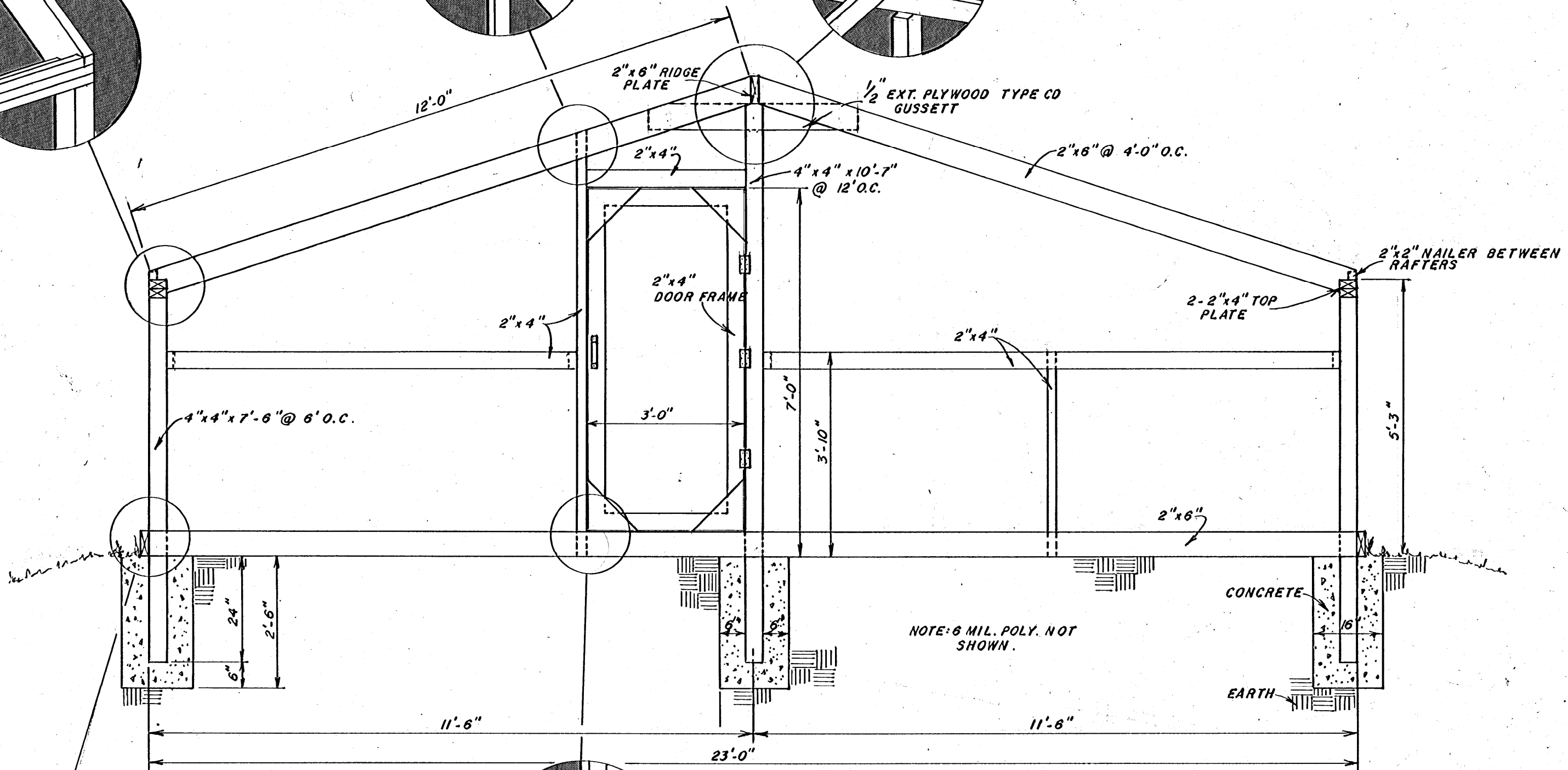
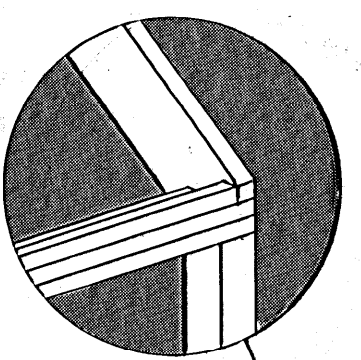


**VALLEY CONSTRUCTION DETAIL
WHERE STRUCTURES ARE JOINED AT SIDE
WALLS**

Scale: 1"=1'-0"

DOOR DETAIL

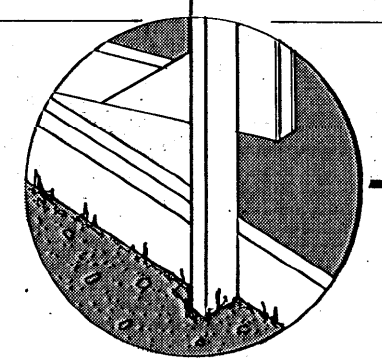
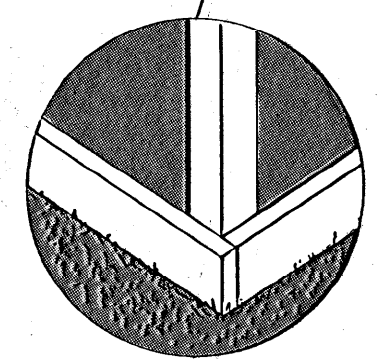
Scale: 1/2"=1'-0"



NOTE: 6 MIL. POLY. NOT SHOWN.

END SECTION

Scale: 1/2"=1'-0"



BILL OF MATERIALS		
NO. REQD.	SIZE	DESCRIPTION
9	4"x4"x12'	GROUND CONTACT (OSMOS) TREATED POST
34	4"x4"x8'	" " " " " "
21	2"x6"x12'	" " " " " "
58	2"x6"x12'	TREATED
34	2"x4"x12'	" " " " " "
22	2"x4"x8'	" " " " " "
24	2"x2"x8'	" " " " " "
3	4'x1/2'x8'	EXT. CD PLYWOOD
2	24"x26GA. x 30'	GALV. FLASHING
2	10 1/2"	GATE PULL
2	4 1/2"	SAFETY HASP
6	3"	UTILITY HINGE
2	16" x 18"	DOOR SPRING
1	40' x 100'	6 MIL. POLY.
5.59	YD ³	CONCRETE
1	1/2" x 3/8"	STAPLES (BOX of 10,000)
1	NO 9 x 1 1/2"	BOX FLATHEAD SCREWS
6LBS.	8d	GALV. NAILS
16LBS.	12d	" "

NOTE: ALL WOOD SHALL BE PRESSURE TREATED W/ CHROMATED COPPER ARSENATE .6LB./FT³ OR EQUAL. GROUND CONTACT (OSMOS)

FRAMING PLAN	PL. NO. 6029-A
PLASTIC COVERED GREENHOUSE	
DESIGN BY LEE MILLER	SHEET 1
DRAWN BY JERRY BINGHAM	OF 2
DATE JULY, 1983	



HEATING REQUIREMENTS @ 70° F DESIGN TEMP. for 96' LONG GREENHOUSE

SINGLE POLYETHYLENE FILM - 330,000 BTU/HR
OR GLASS OR FIBERGLASS PLASTIC
DOUBLE POLYETHYLENE FILM - 200,000 BTU/HR

VENTILATION REQUIREMENTS VOLUME = 23'x96' = 15,235 CU. FT.

== FOR 3/4 AIR CHANGE PER MINUTE ==

15,235 CU. FT. x 3/4 = 13,000 CFM
+ 15% 2,000

TOTAL 13,000 CFM (ROUNDED)

== FOR ONE AIR CHANGE PER MINUTE ==

15,235 CU. FT. x 1 = 15,000 CFM
+ 15% 2,300

17,300 CFM (ROUNDED)

== FAN RECOMMENDATIONS ==

* 2- GLASS-PAC MODEL VGP-3650
VARIABLE SPEED FAN WITH VCC-R
VARIABLE SPEED CONTROL, LOW
VOLUME - 2,000 CFM, HIGH VOLUME -
9,450 CFM @ 1/10" STATIC PRESSURE

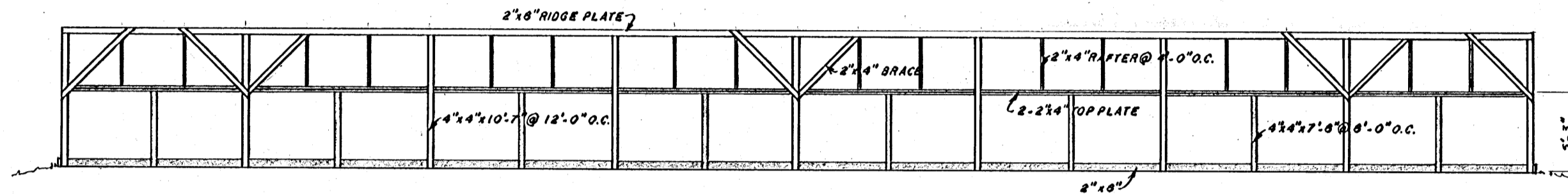
== FOR EVAPORATIVE COOLING ==

* ASPEN PAD - 146 SQ. FT.
* KOOL CELL - 88 SQ. FT.

== LOW VOLUME AIR CHANGE ==

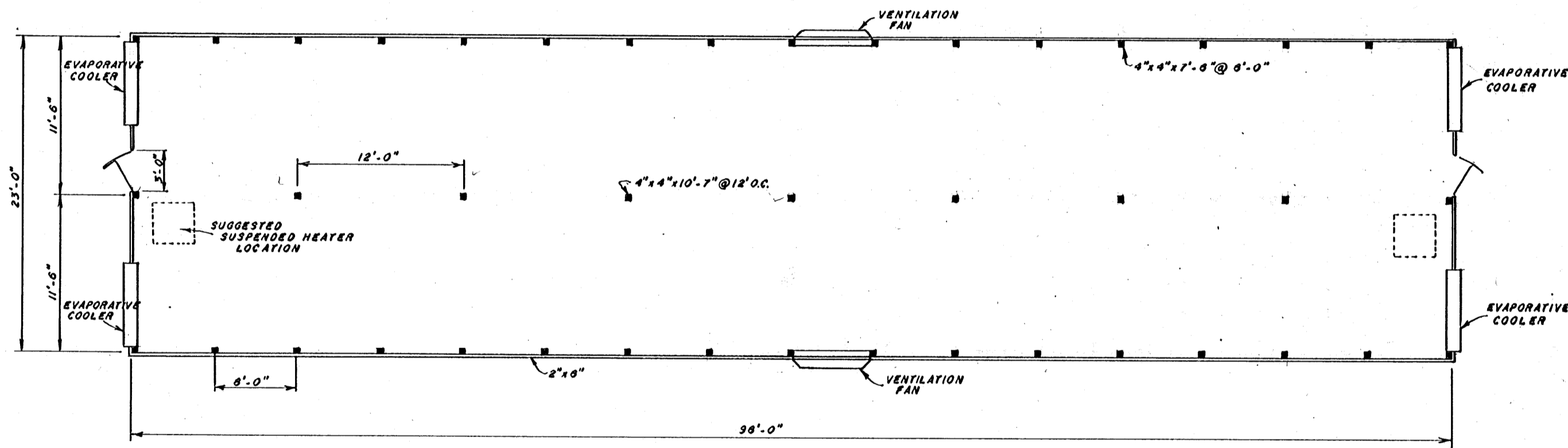
@ 4,000 CFM = 4 HOURS @ 2,000 CFM
PER FAN

* BRAND NAMES - OTHER BRANDS WITH THE
SAME SPECIFICATIONS ARE ADEQUATE.



CENTER BRACE PLAN

Scale: 1/8" = 1'-0"



FLOOR PLAN

Scale: 1/8" = 1'-0"

HEATING & VENT. REQUIREMENTS PL. NO. 6029-A

PLASTIC COVERED GREENHOUSE



DESIGN BY LEE MILLER

DRAWN BY JERRY BINGHAM

DATE JULY, 1983

SHEET

2

OF 2