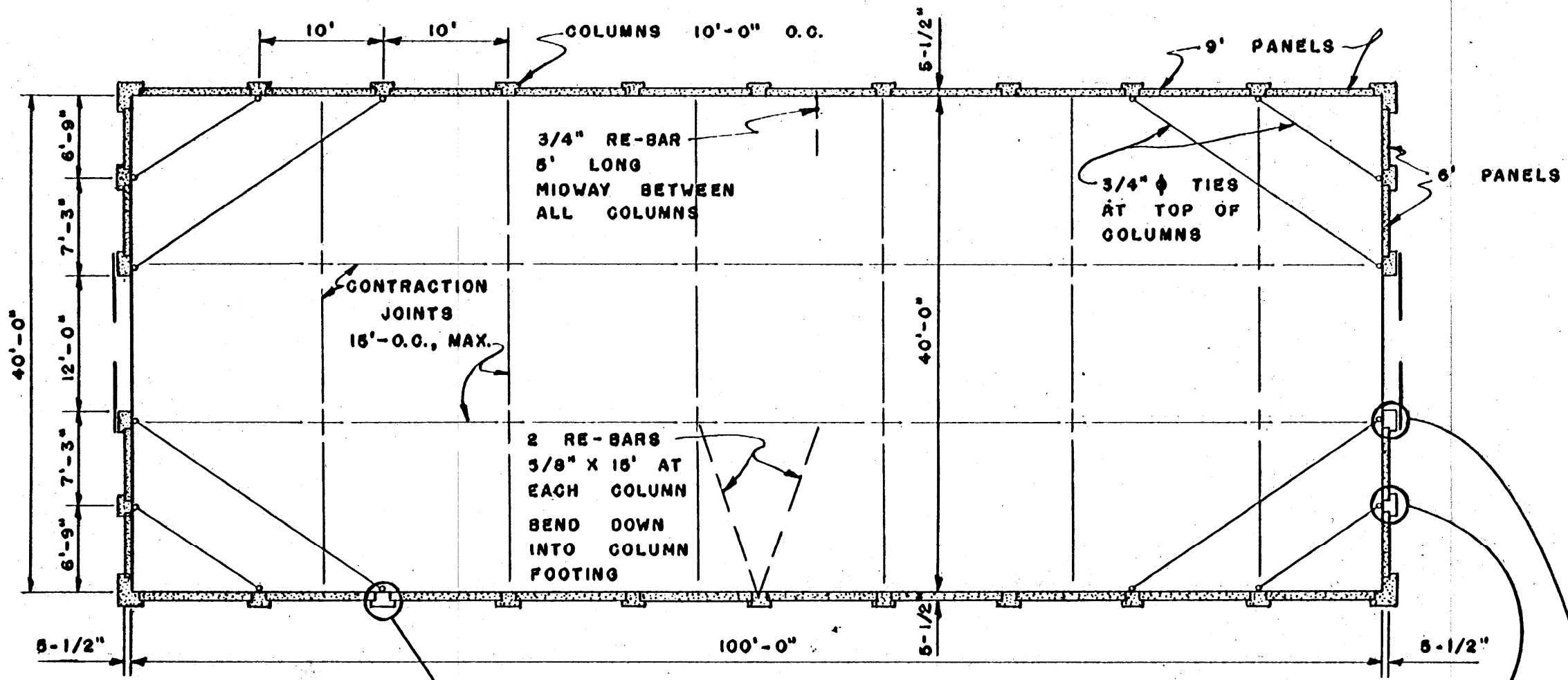


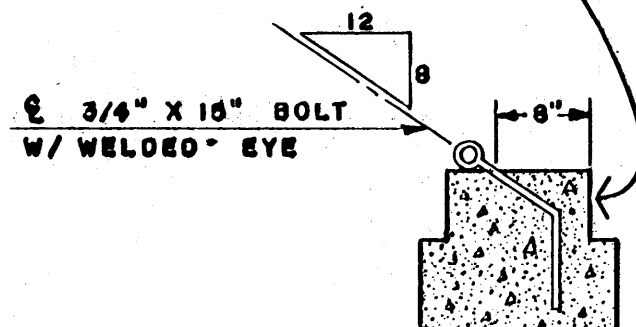
PERSPECTIVE

NOTE: OVER-ALL DIMENSIONS SHOWN ARE INSIDE TO INSIDE OF WALLS



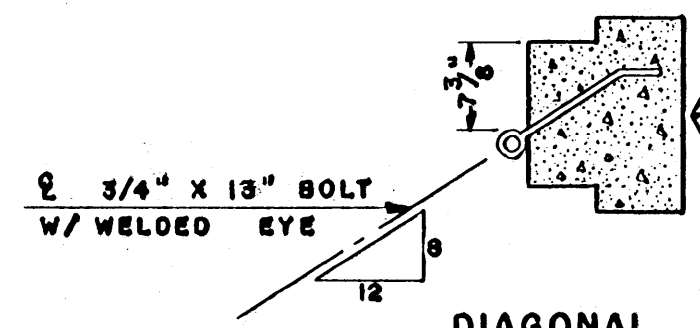
FLOOR PLAN

SCALE: 3/32" = 1'-0"



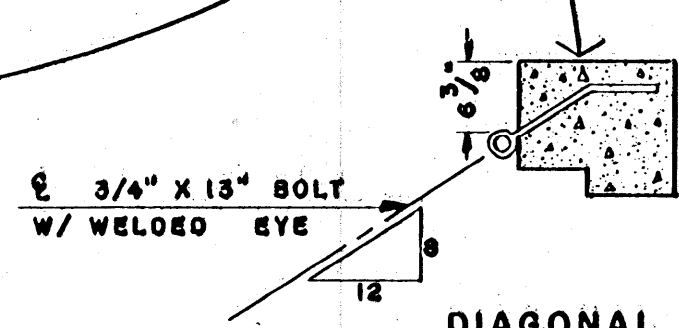
DIAGONAL TIE
SIDE - WALL COLUMN
PLACE JUST BELOW
CROSS TIE SLEEVE

SCALE: 3/4" = 1'-0"



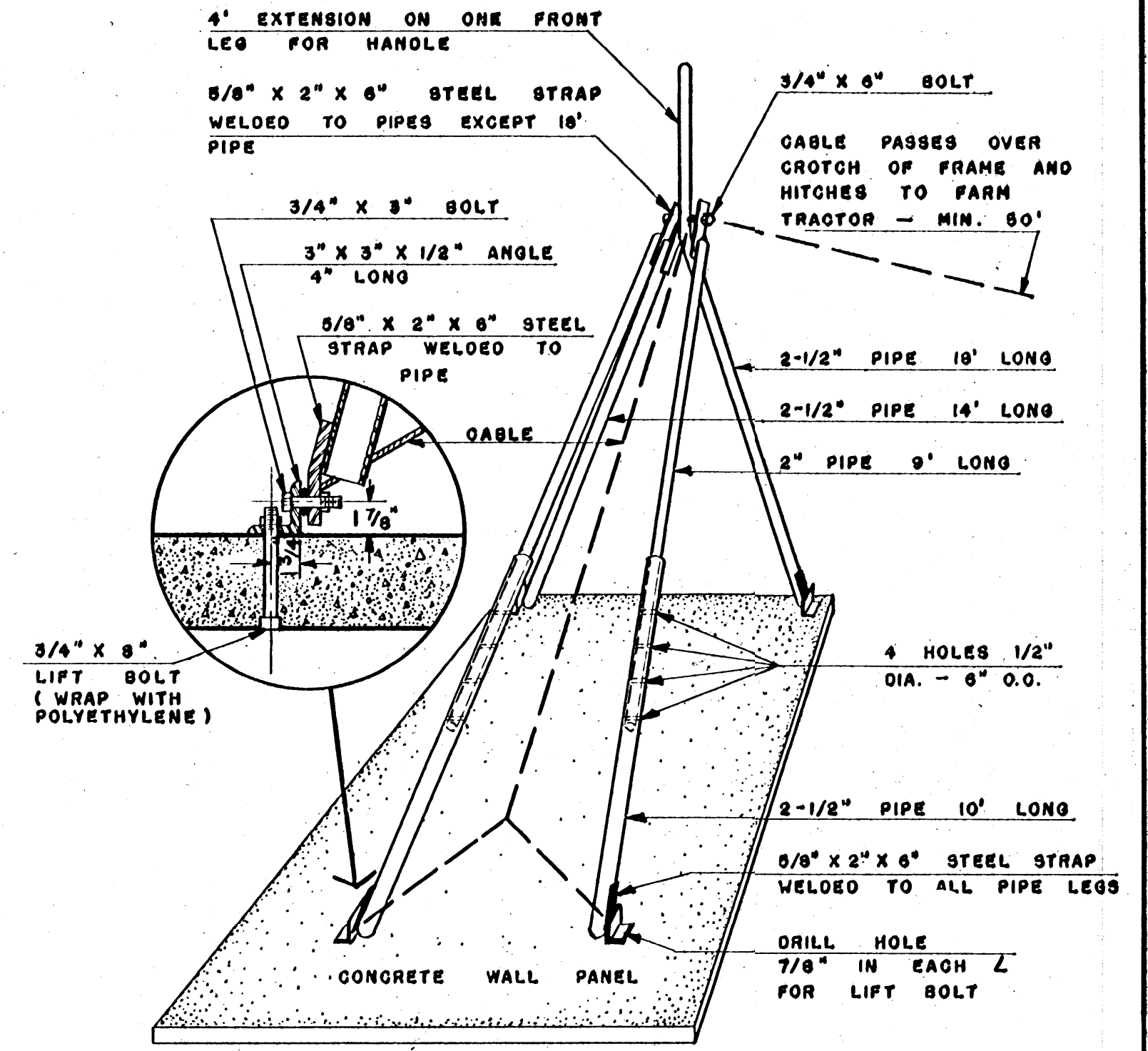
DIAGONAL TIE
END - WALL COLUMN
PLACE 3-1/2" FROM TOP

SCALE: 3/4" = 1'-0"



DIAGONAL TIE
DOOR COLUMN
PLACE 3-1/2" FROM TOP

SCALE: 3/4" = 1'-0"



TILTING FRAME

USED WITH FARM TRACTOR

IMPORTANT

WALL SLABS AND COLUMNS TO BE COMPOSED OF CONCRETE HAVING NOT MORE THAN 6 GAL. TOTAL MIXING WATER PER SACK OF CEMENT.

WALL PANELS MUST HAVE COMPRESSIVE STRENGTH OF 2000 LB./SQ. IN. BEFORE BEING TILTED UP.

THIS REQUIRES CONTINUOUS MOIST CURING FOR A PERIOD OF :

4 DAYS AT 70° or 6 DAYS AT 60°
8 DAYS AT 50° or 10 DAYS AT 40°

..... IN COOPERATION WITH THE PORTLAND CEMENT ASSOC.

COOPERATIVE EXTENSION WORK IN AGRICULTURE AND HOME ECONOMICS

STATE OF MISSISSIPPI

MISSISSIPPI STATE UNIVERSITY

UNITED STATES DEPARTMENT OF AGRICULTURE COOPERATING

DESIGNED BY... G. M. PETERSEN

E. A. OLSON

NEBR. PLAN NO. 10.732-27 M.W.P.S. 73265

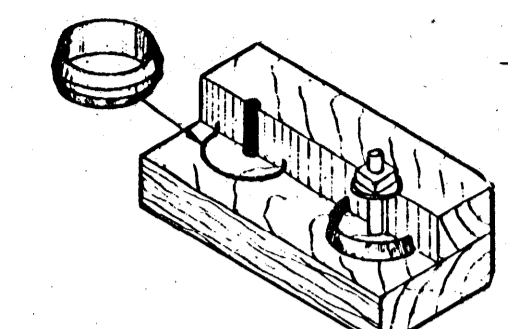
GRAIN STORAGE BUILDING TILT-UP CONCRETE CONSTRUCTION

NEBR. '68 EX. 6059 SHEET 1 OF 6

CENTER BOLT AND S.R. ON INTERSECTION OF CENTER - LINES OF TRUSS MEMBERS

"X" OR SOLID BRIDGING BETWEEN PURLINS
MIDWAY BETWEEN TRUSSES

CORRUGATED METAL OR OTHER ROOFING
APPLIED ACCORDING TO MANUFACTURERS' SPECIFICATIONS



SPLIT RING CONNECTOR
DESIGNATED S.R. ON DRAWINGS

PURLIN SUPPORT AND FASTENING
2" X 4" SCABS - 12" LONG
NAILED EACH SIDE UPPER CHORD

SHEET METAL RIDGE ROLL - 20" WIDTH
W/ RUBBER FILLER STRIPS

1/2" X 2" X 12" STEEL STRAP
BOTH SIDES OF TRUSS
2 - 1/2" X 7" BOLTS; 4 - 2 1/2" S.R.

2" X 6" PURLINS
2'-0" O.C.

1" X 12" EAVE CLOSURE BETWEEN TRUSSES
USE SCRAP TO CLOSE SPACE BETWEEN
1" X 12" S

2" X 6" TOP PLATE
CAST WITH WALL PANEL

LOWER PURLIN
LOCATED FOR
NAILING EAVE
CLOSURE

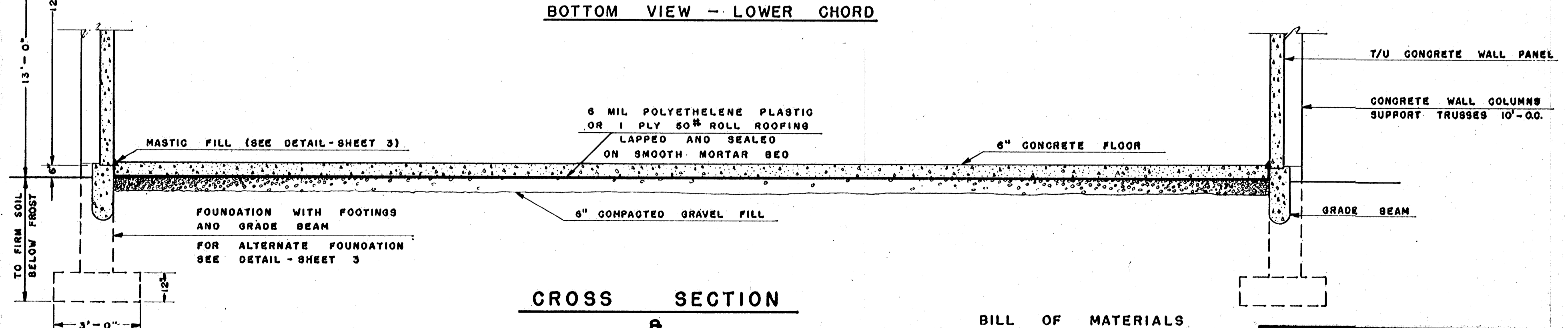
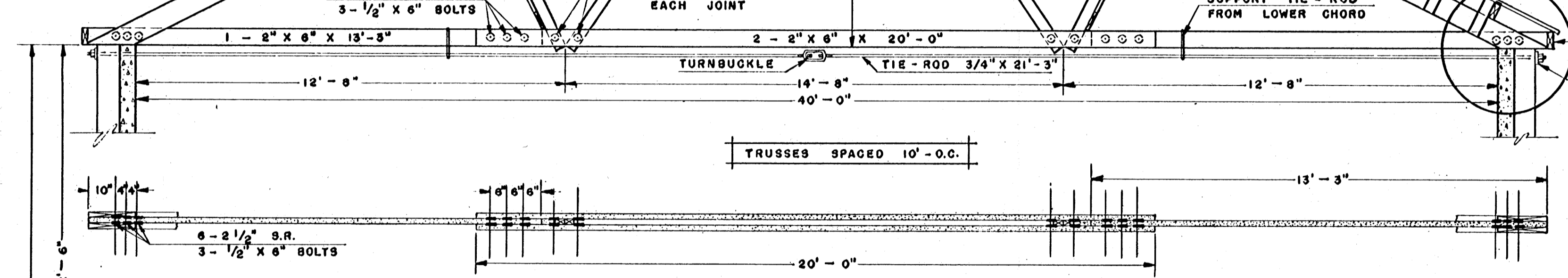
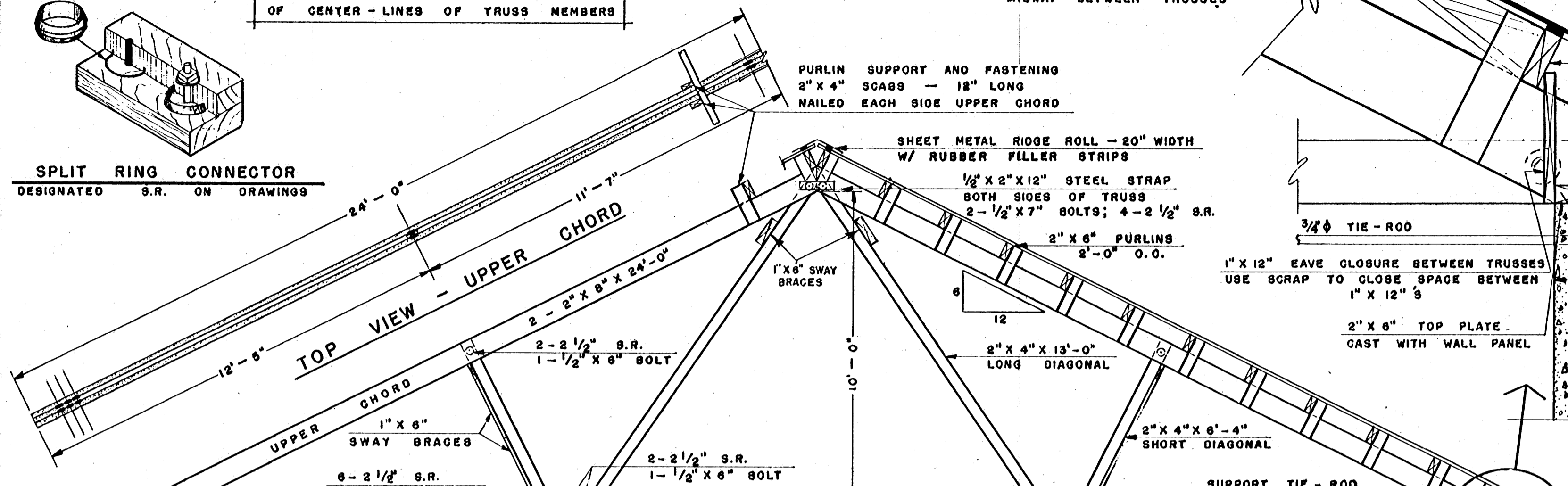
1/2" X 1" X 8"
STEEL STRAP

2 - 1/2" X 22"
ANCHOR BOLTS
SET IN COLUMN
TOP AS PER
DETAIL, SHEET 3

TRUSS ANCHOR &
EAVE CLOSURE
Scale: 1-1/2" = 1'-0"

2" X 6" FASCIA

1/2" X 4" X 4" STEEL PLATE
WASHER ON TIE - ROD



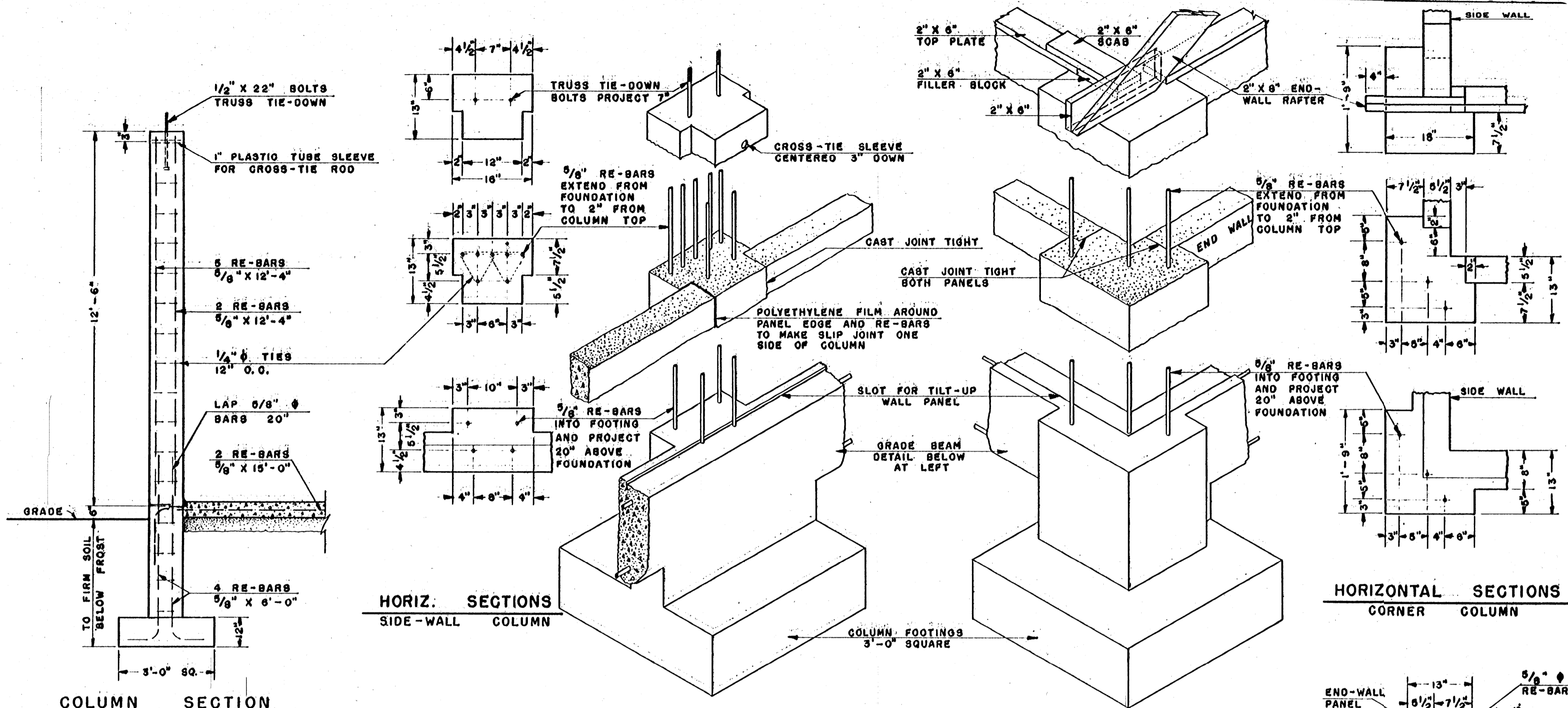
CROSS SECTION &
TRUSS DETAIL
Scale: 3/8" = 1'-0"

BILL OF MATERIALS			
ITEM	NO.	DESCRIPTION	fbm
UPPER CHORD	4	2" X 8" X 24'-0"	128
LOWER CHORD	2	2" X 6" X 20'-0"	40
	2	2" X 6" X 14'-0"	28
LONG DIAGONAL	2	2" X 4" X 14'-0"	16 2/3
SHORT DIAGONAL	1	2" X 4" X 14'-0"	9 1/3
SPLIT RINGS	40	2 1/2"	
BOLTS & WASHERS	18	1/2" X 6"	
	2	1/2" X 7"	

COOPERATIVE EXTENSION WORK IN
AGRICULTURE AND HOME ECONOMICS
STATE OF MISSISSIPPI
MISSISSIPPI STATE UNIVERSITY
AND
UNITED STATES DEPARTMENT OF AGRICULTURE COOPERATING

**GRAIN STORAGE BUILDING
TILT-UP CONCRETE CONSTRUCTION**

NEBR. '68 EX. 6059 SHEET 2 OF 6



COLUMN SECTION

scale: 3/8" = 1'-0"

HORIZ. SECTIONS
SIDE-WALL COLUMN

TYPICAL COLUMN DETAILS

scale: 3/4" = 1'-0"

HORIZONTAL SECTIONS
CORNER COLUMN

DOOR COLUMN SECTION

SECTION AT
GRADE BEAM

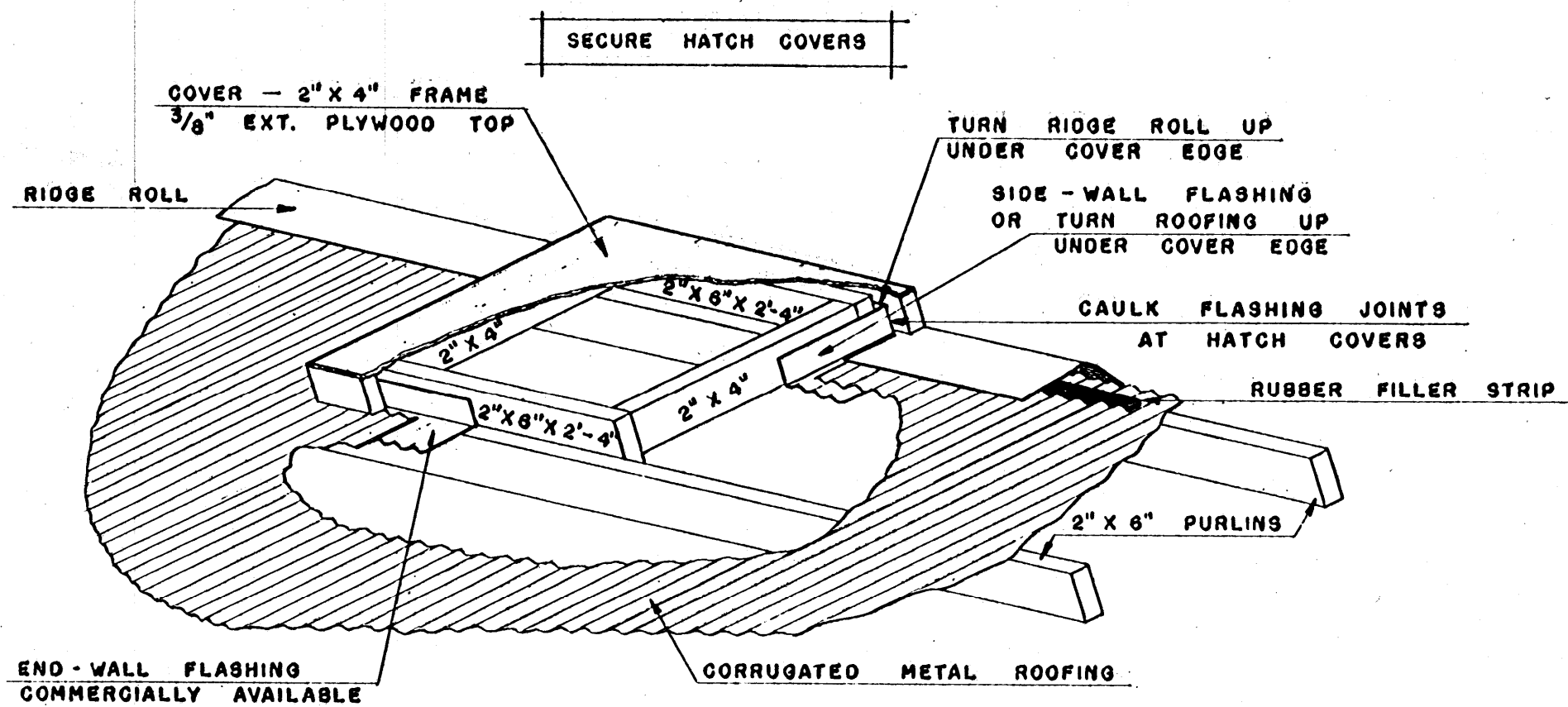
scale: 1-1/2" = 1'-0"

ALTERNATE FOUNDATION (CONTINUOUS)

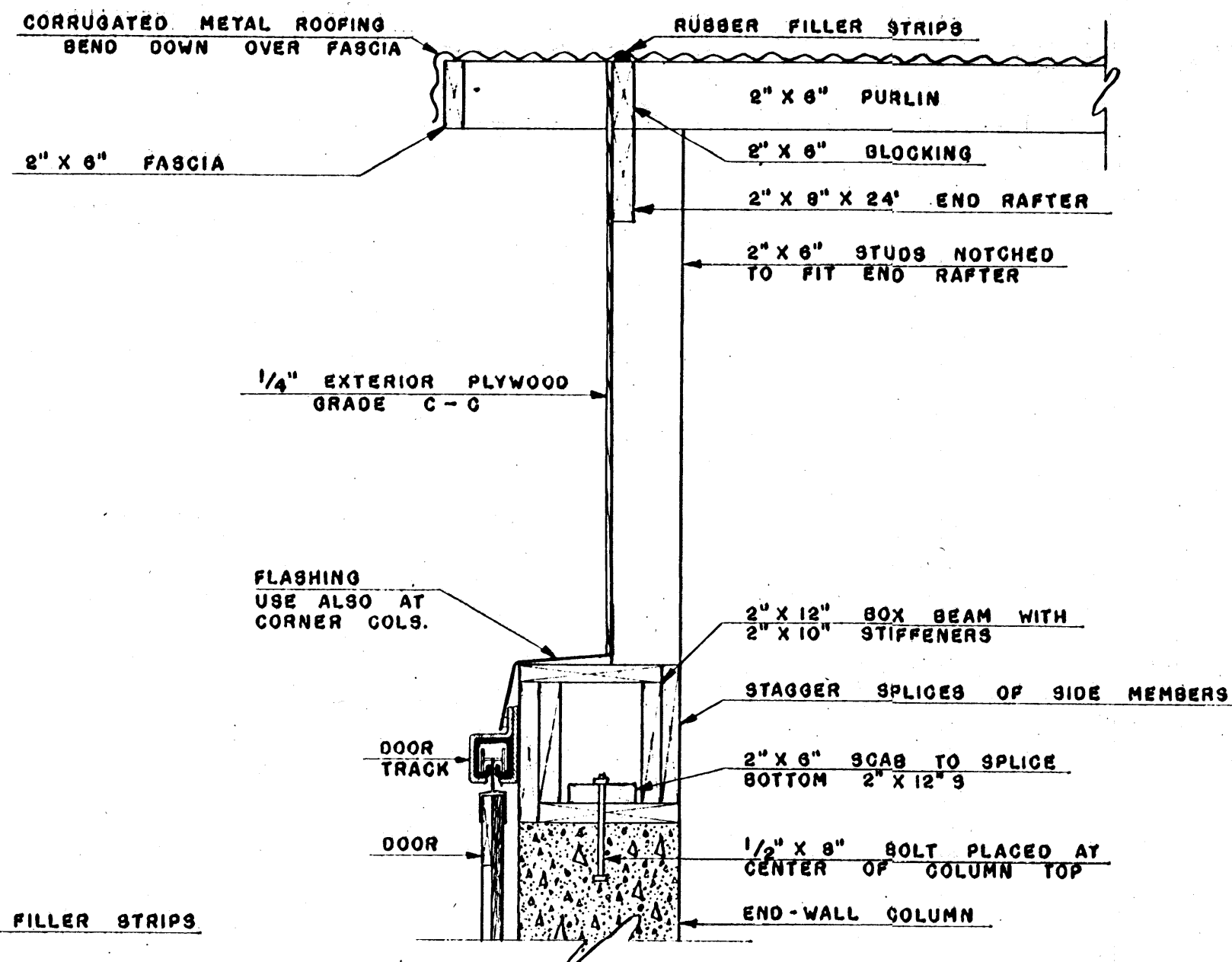
COOPERATIVE EXTENSION WORK IN
AGRICULTURE AND HOME ECONOMICS
STATE OF MISSISSIPPI
MISSISSIPPI STATE UNIVERSITY
AND
UNITED STATES DEPARTMENT OF AGRICULTURE COOPERATING

GRAIN STORAGE BUILDING
TILT-UP CONCRETE CONSTRUCTION

NEBR. '68 EX. 6059 SHEET 3 OF 6

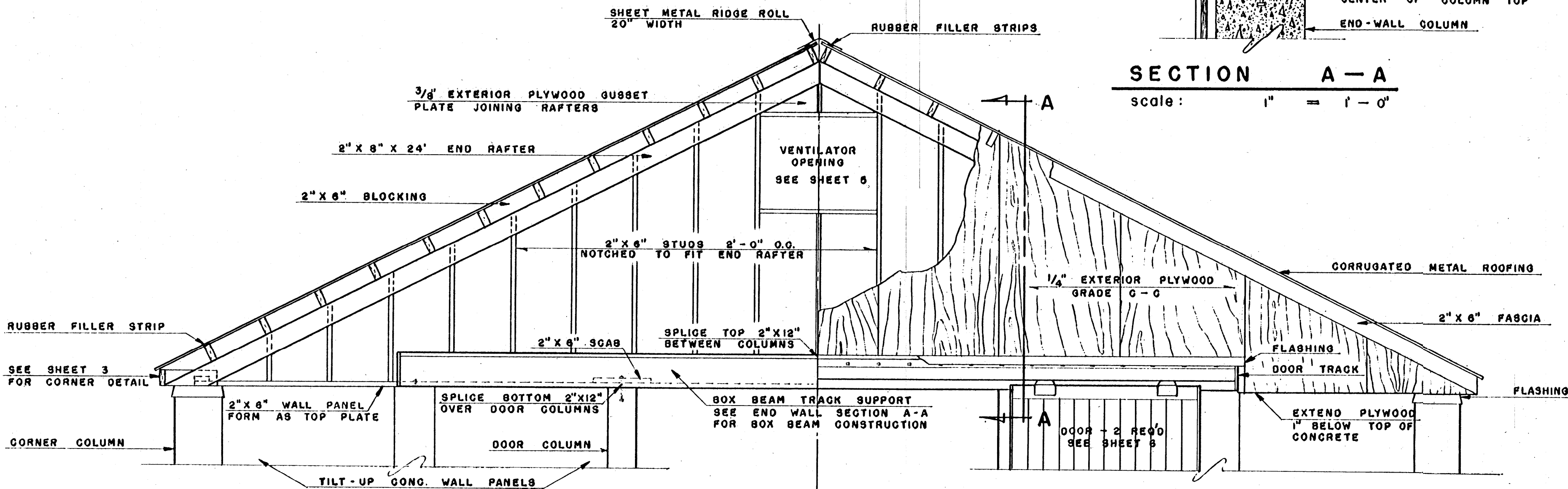


ROOF HATCH DETAIL



SECTION A - A

scale: 1" = 1'-0"



END WALL DETAIL

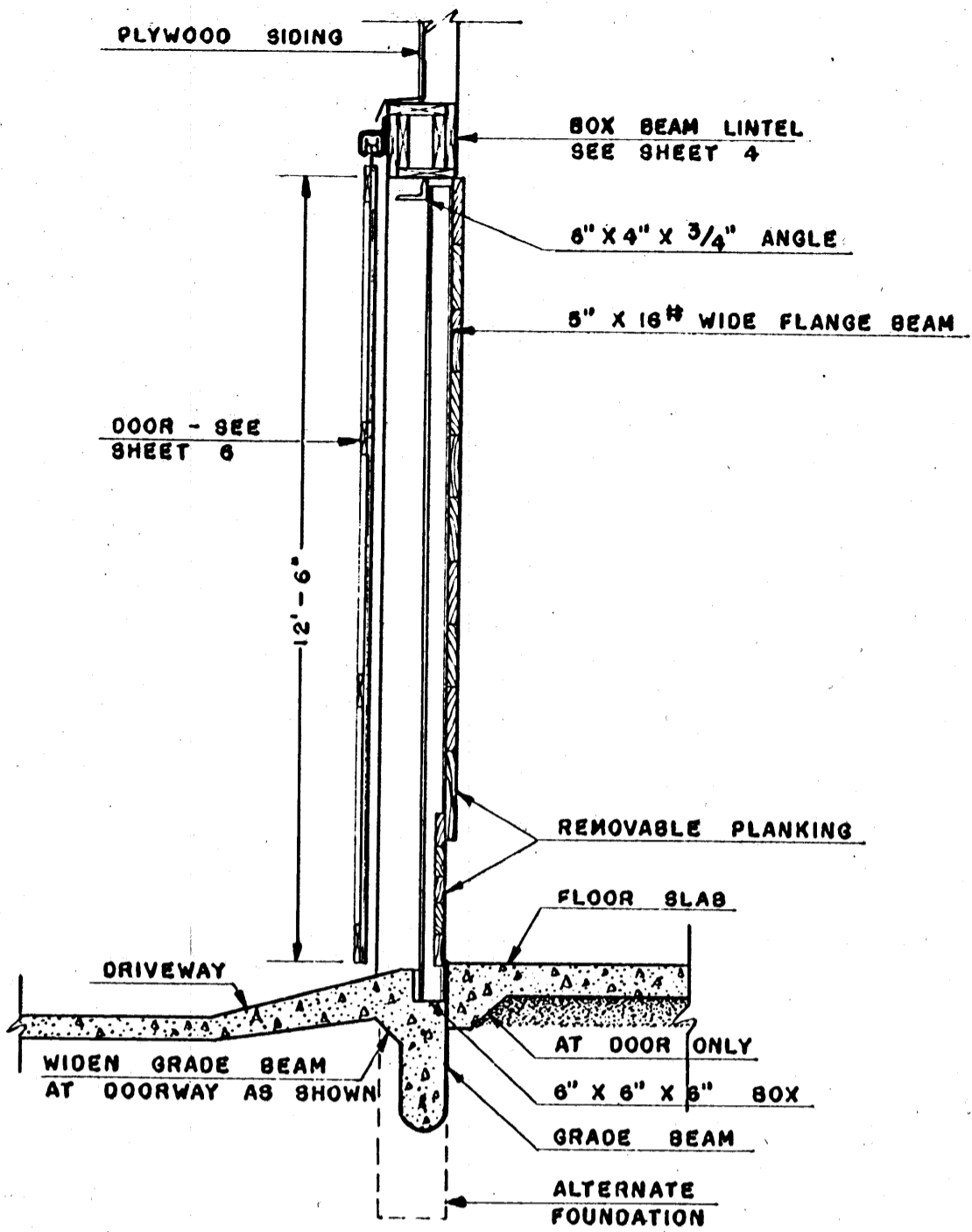
scale: 3/8" = 1'-0"

NOTE:
 ALL DIMENSIONS OF END WALL
 DETAIL SAME AS TRUSS DIMENSIONS
 UNLESS OTHERWISE NOTED.
 SCAB TO FASTEN PURLIN TO
 RAFTER NOT REQUIRED AT END WALL

COOPERATIVE EXTENSION WORK IN
 AGRICULTURE AND HOME ECONOMICS
 STATE OF MISSISSIPPI
 MISSISSIPPI STATE UNIVERSITY
 AND
 UNITED STATES DEPARTMENT OF AGRICULTURE COOPERATING

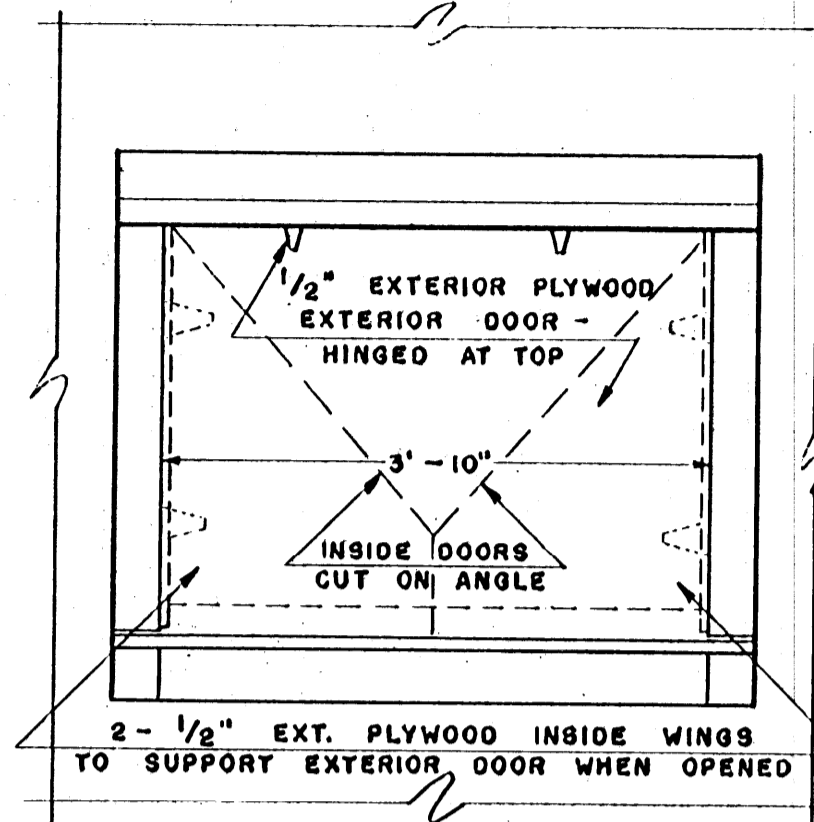
**GRAIN STORAGE BUILDING
 TILT-UP CONCRETE CONSTRUCTION**

NEBR. '68	EX. 6059	SHEET 4 OF 6
-----------	----------	--------------

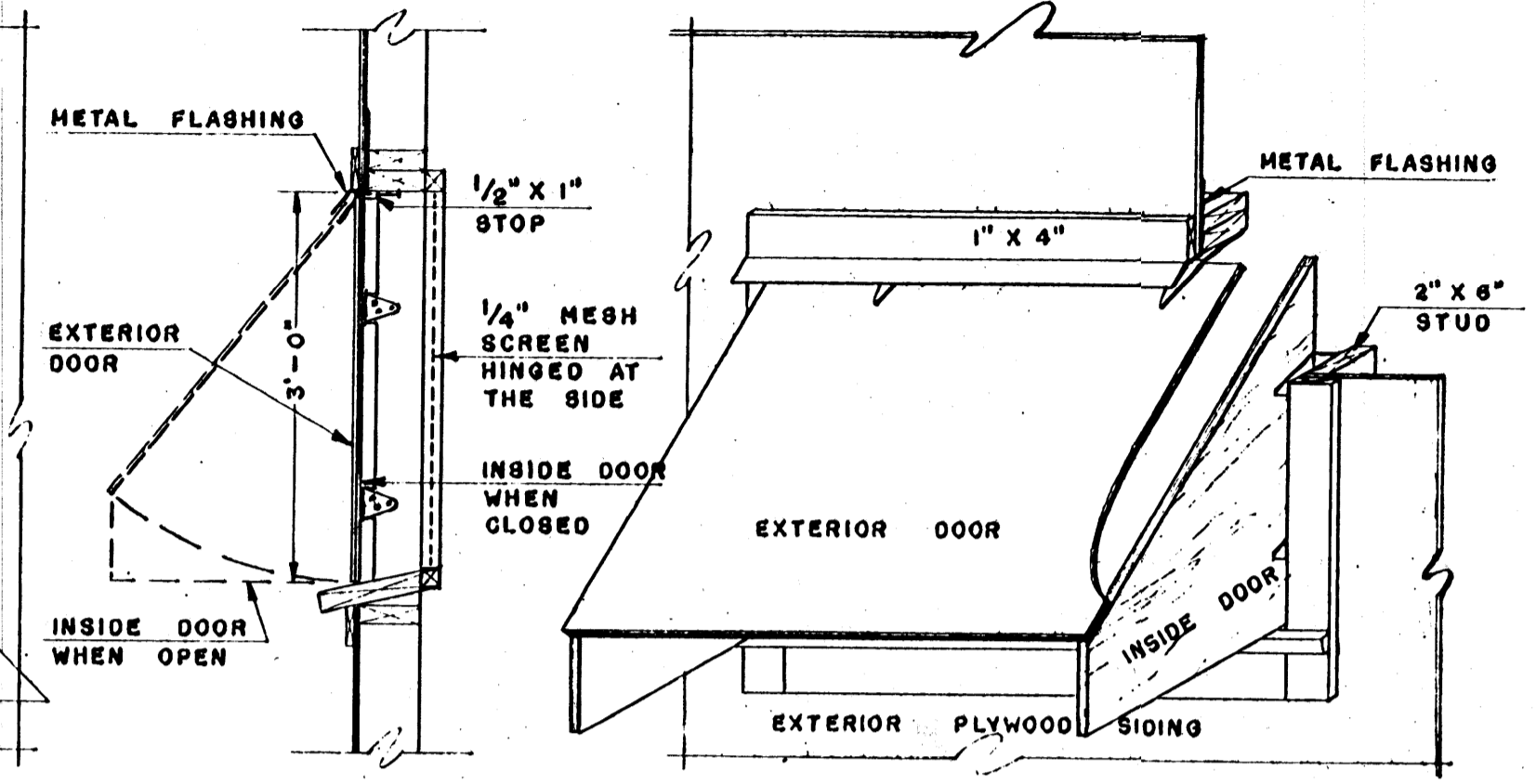


SECTION AT DOORWAY

scale: $\frac{3}{8}'' = 1'-0''$

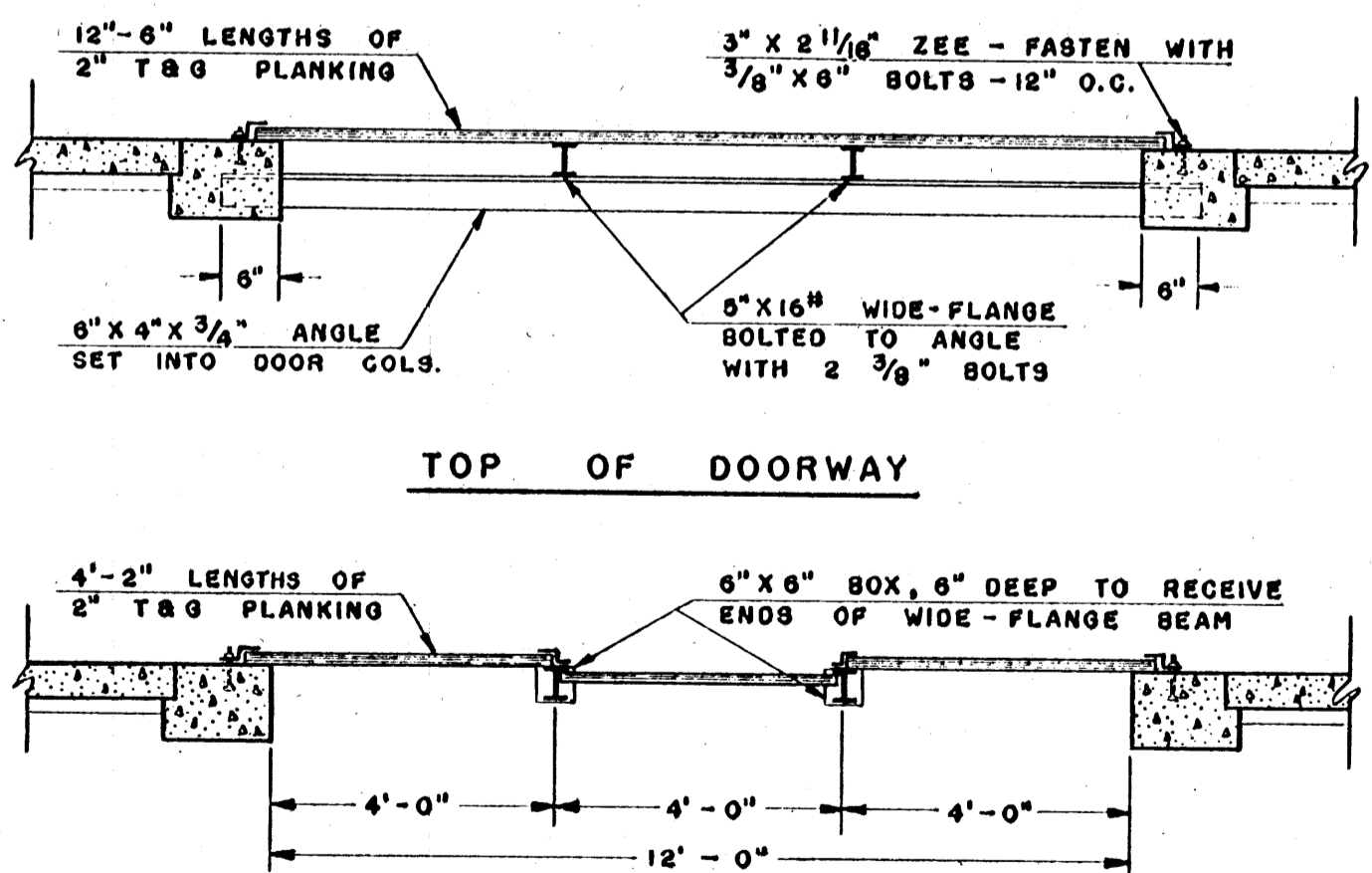


HOOKS ON EXTERIOR DOOR TO ENGAGE EYES ON INSIDE WING DOORS



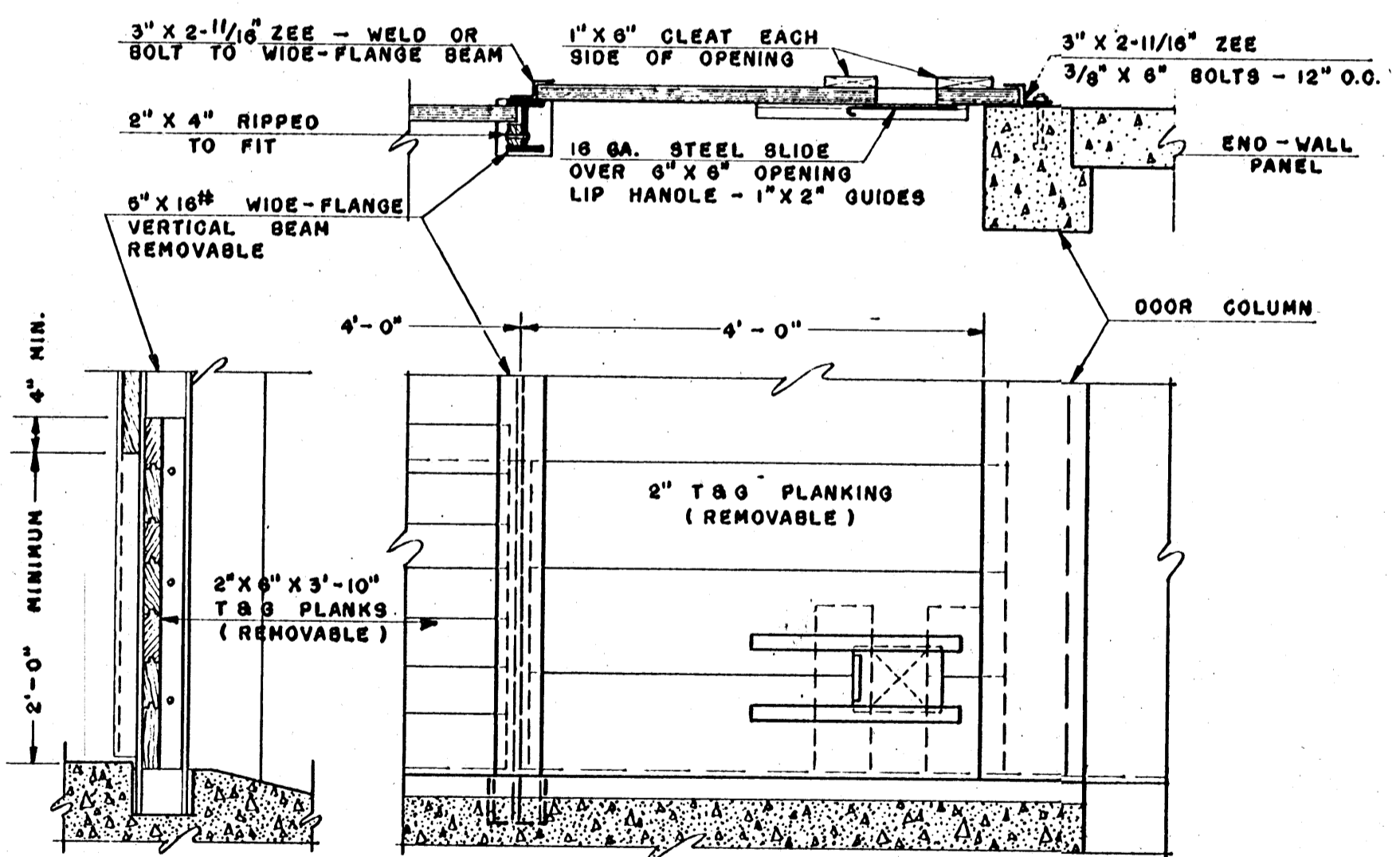
VENTILATOR DETAILS

scale: $\frac{3}{4}'' = 1'-0''$



HORIZONTAL DOORWAY SECTIONS

scale: $\frac{3}{8}'' = 1'-0''$



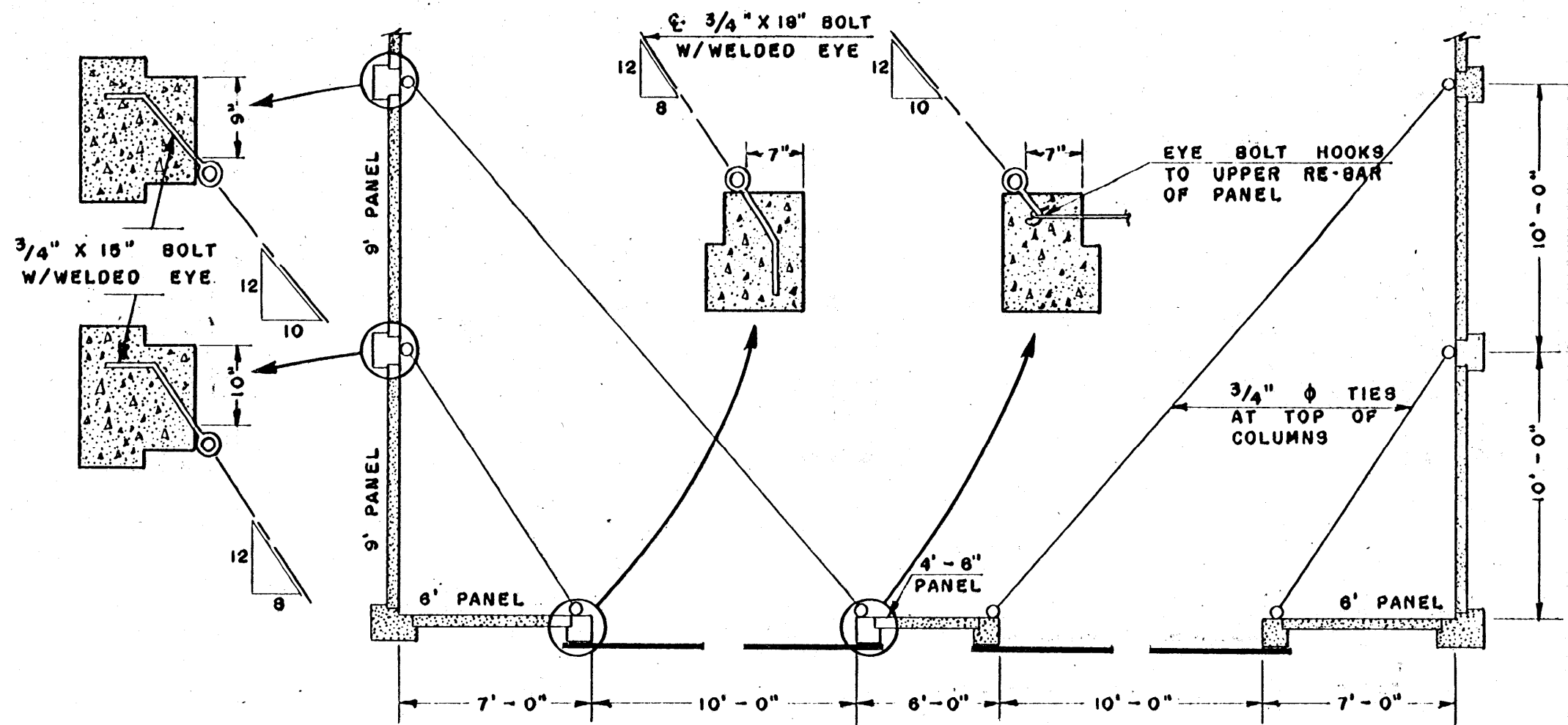
GRAIN OPENING DETAILS

scale: $\frac{3}{4}'' = 1'-0''$

COOPERATIVE EXTENSION WORK IN AGRICULTURE AND HOME ECONOMICS
 STATE OF MISSISSIPPI
 MISSISSIPPI STATE UNIVERSITY
 AND
 UNITED STATES DEPARTMENT OF AGRICULTURE COOPERATING

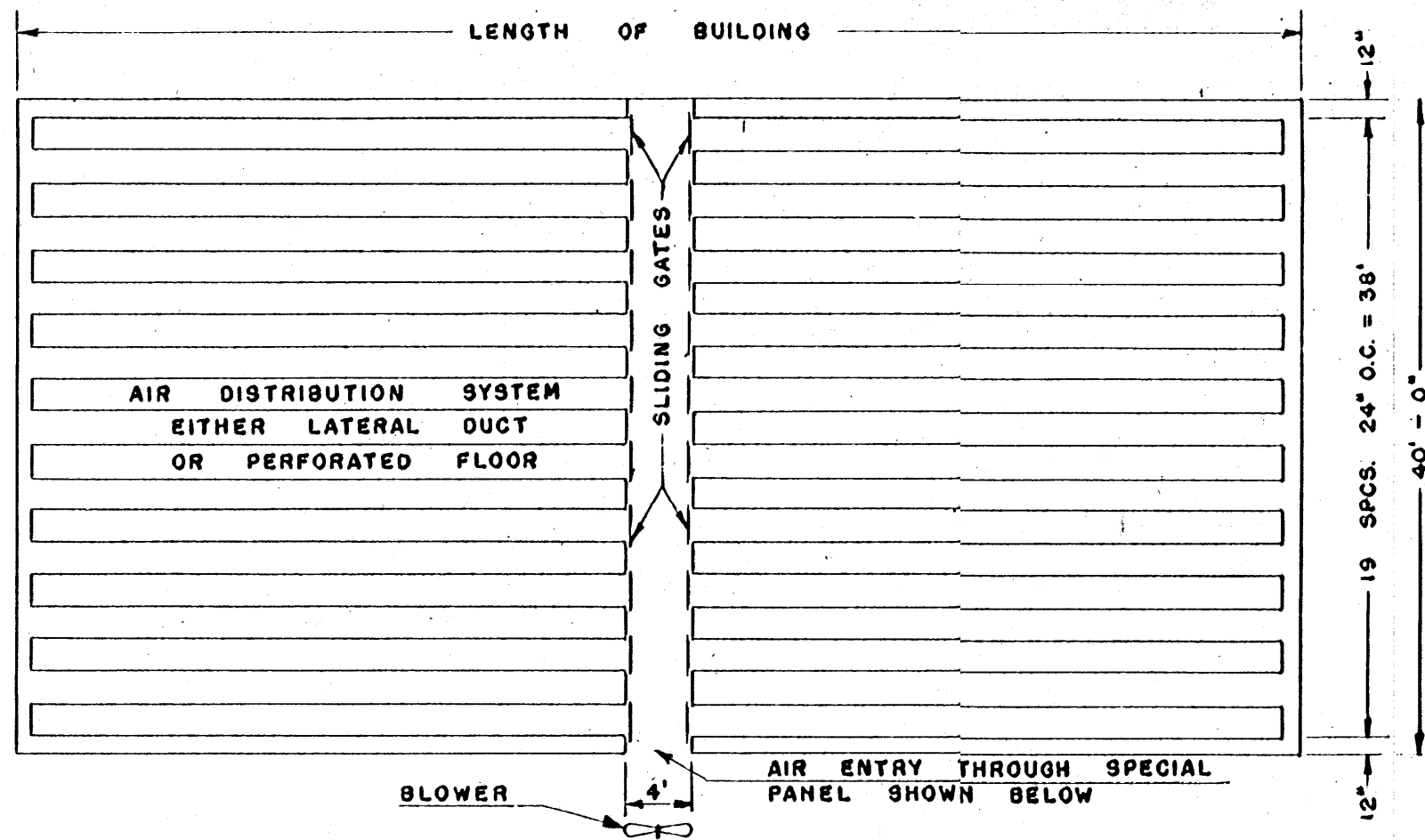
**GRAIN STORAGE BUILDING
 TILT-UP CONCRETE CONSTRUCTION**

NEBR. '68	EX. 6059	SHEET 5 OF 6
-----------	----------	--------------



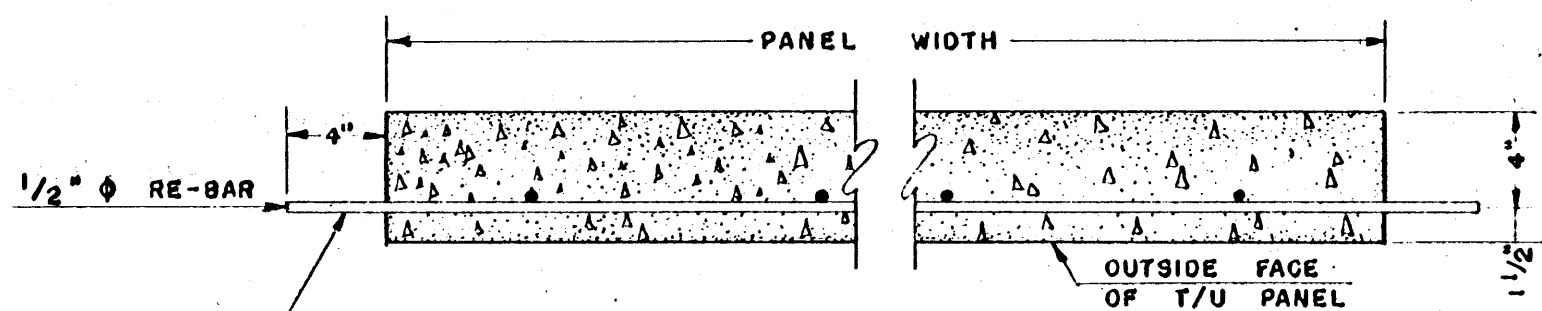
ALTERNATE END-WALL PLAN

scale: $\frac{3}{16}'' = 1'-0''$



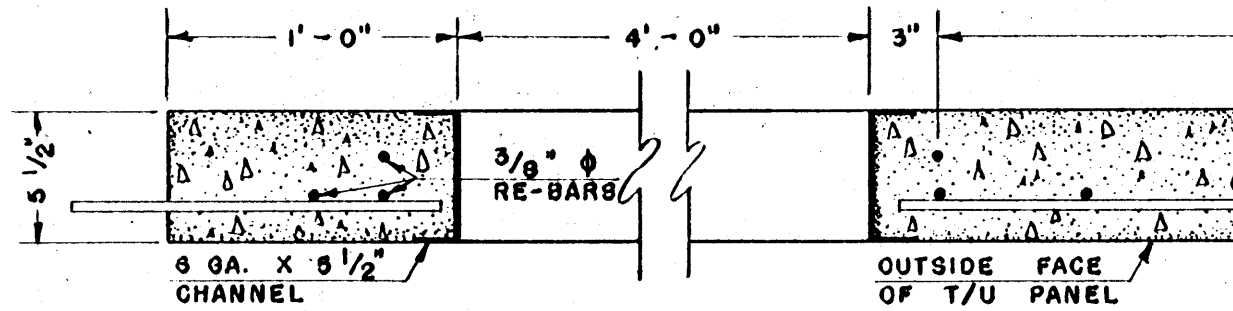
SUGGESTED DRYING SYSTEM

scale: $\frac{3}{32}'' = 1'-0''$



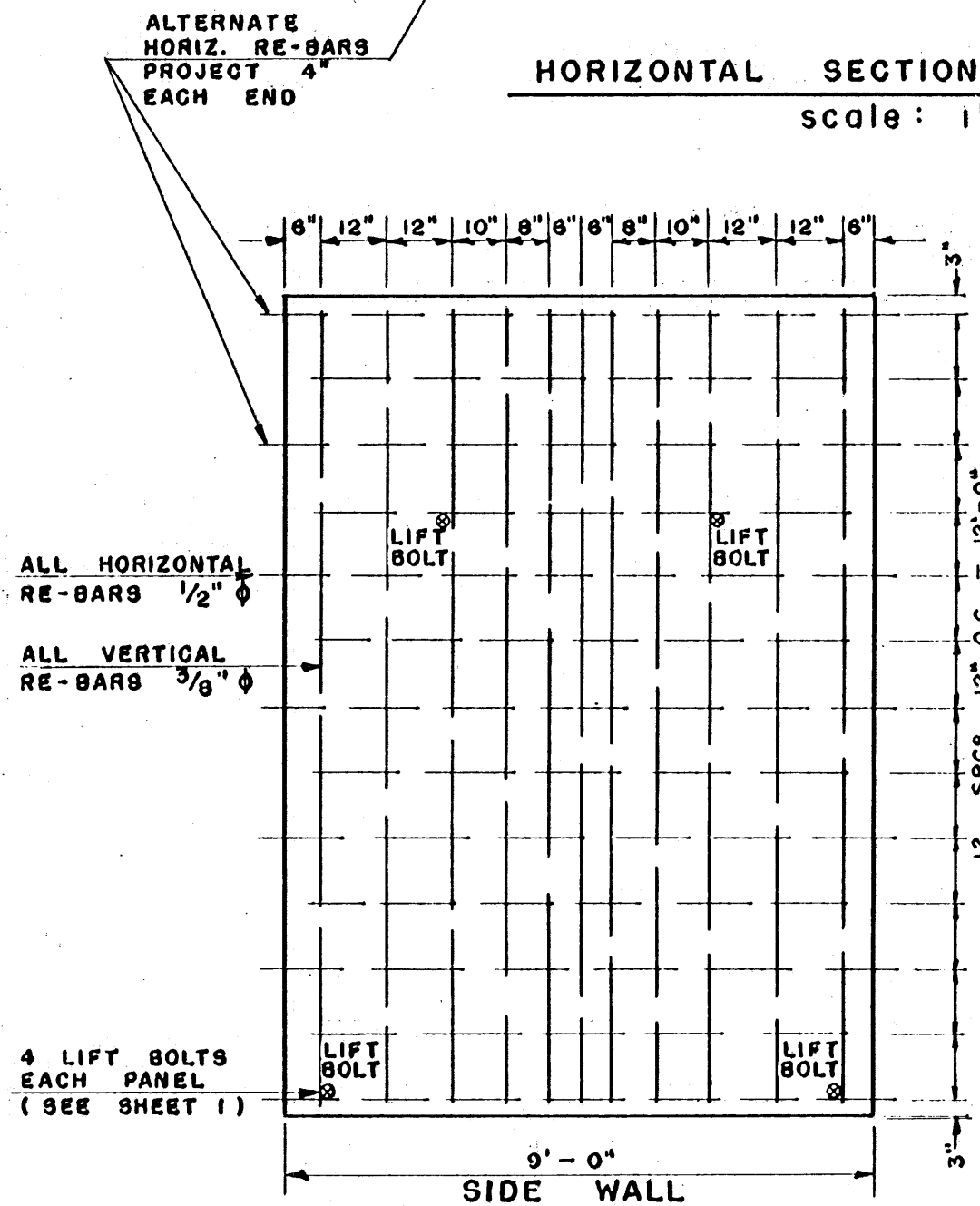
HORIZONTAL SECTION OF WALL PANELS

scale: $1\frac{1}{2}'' = 1'-0''$



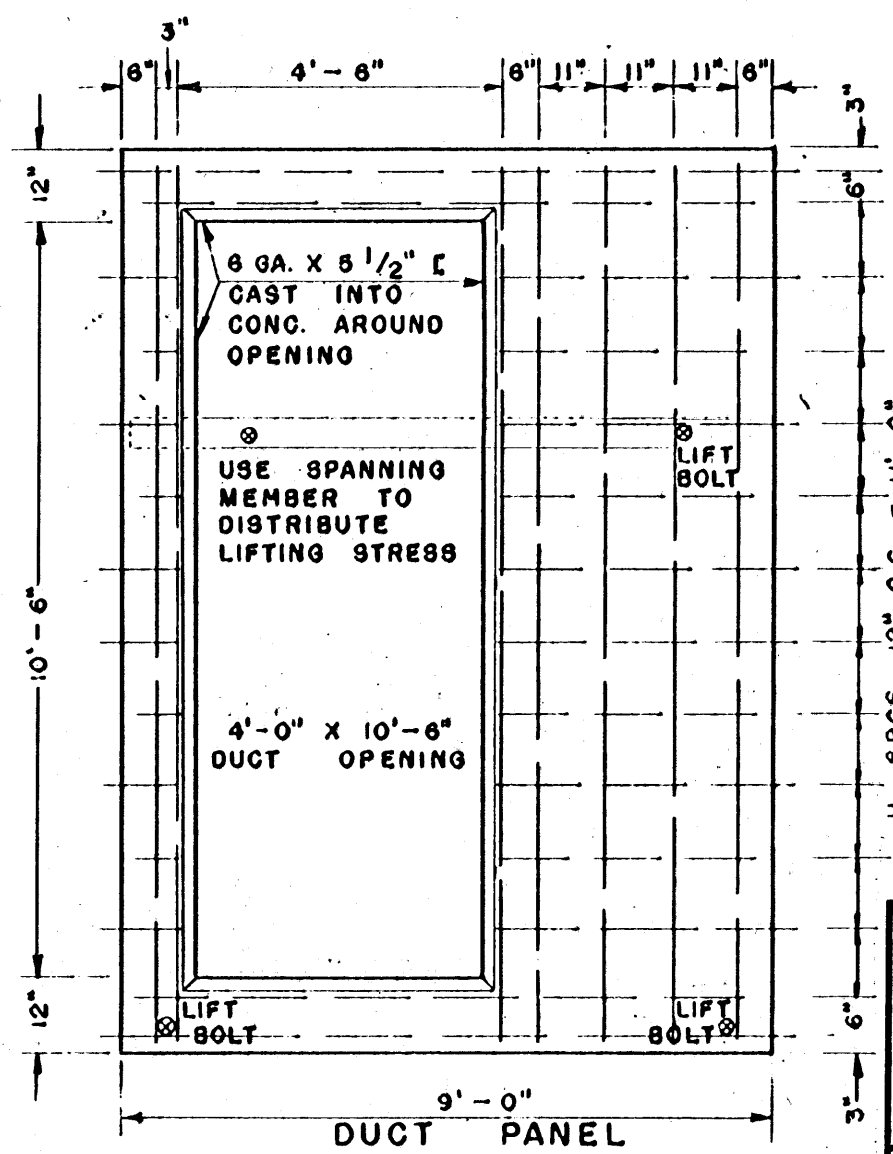
HORIZONTAL SECTION OF DUCT PANEL

scale: $1\frac{1}{2}'' = 1'-0''$

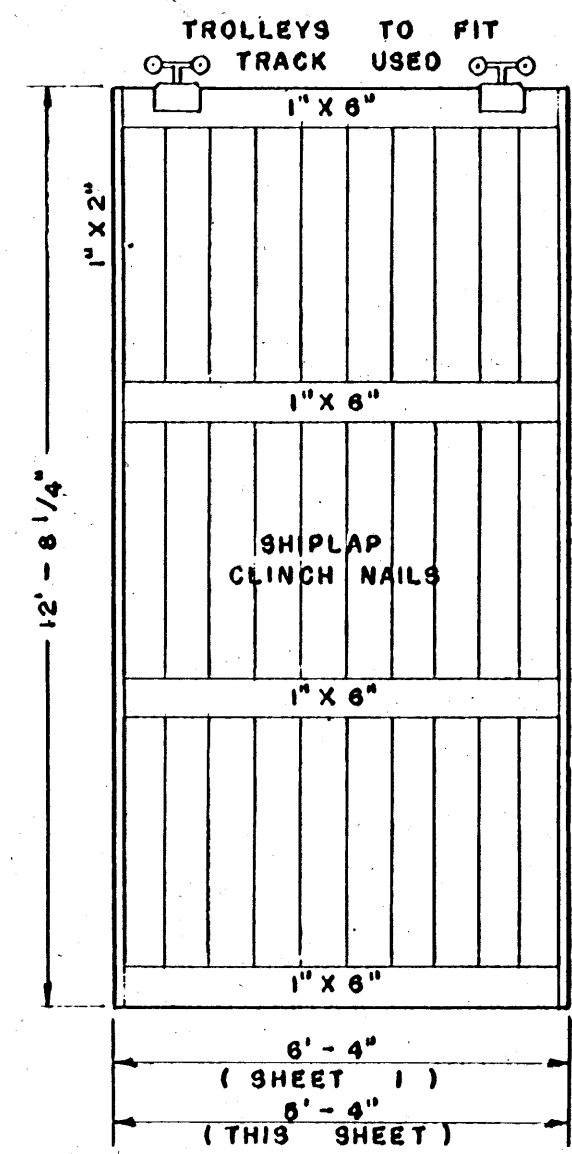


WALL PANEL DETAILS

scale: $\frac{3}{8}'' = 1'-0''$



DUCT PANEL



DOOR DETAILS

scale: $\frac{3}{8}'' = 1'-0''$

COOPERATIVE EXTENSION WORK IN
 AGRICULTURE AND HOME ECONOMICS
 STATE OF MISSISSIPPI
 MISSISSIPPI STATE UNIVERSITY
 UNITED STATES DEPARTMENT OF AGRICULTURE COOPERATING

**GRAIN STORAGE BUILDING
 TILT-UP CONCRETE CONSTRUCTION**

NEBR. '68	EX. 6059	SHEET 6 OF 6
-----------	----------	--------------