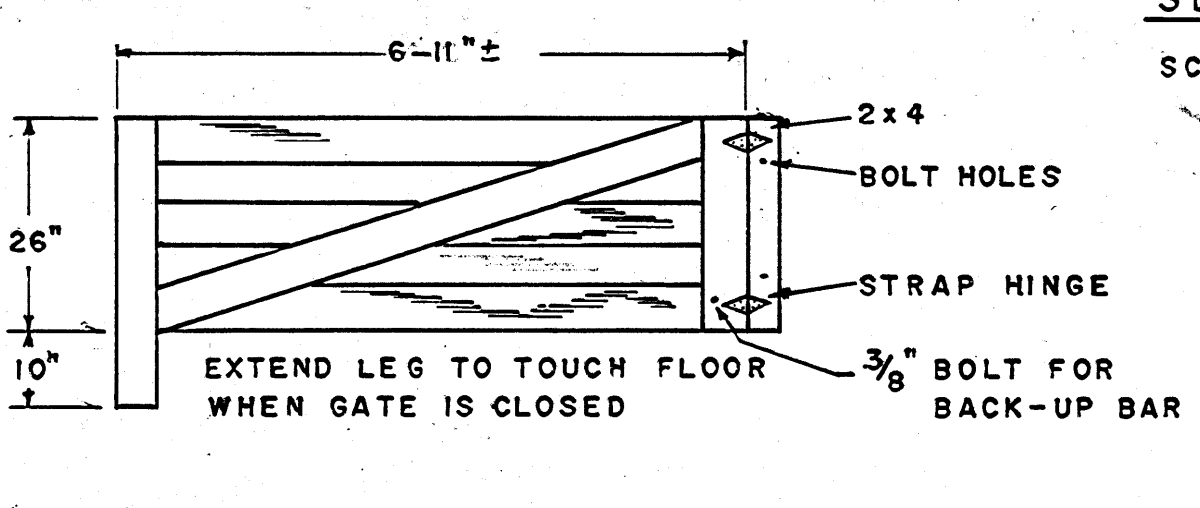
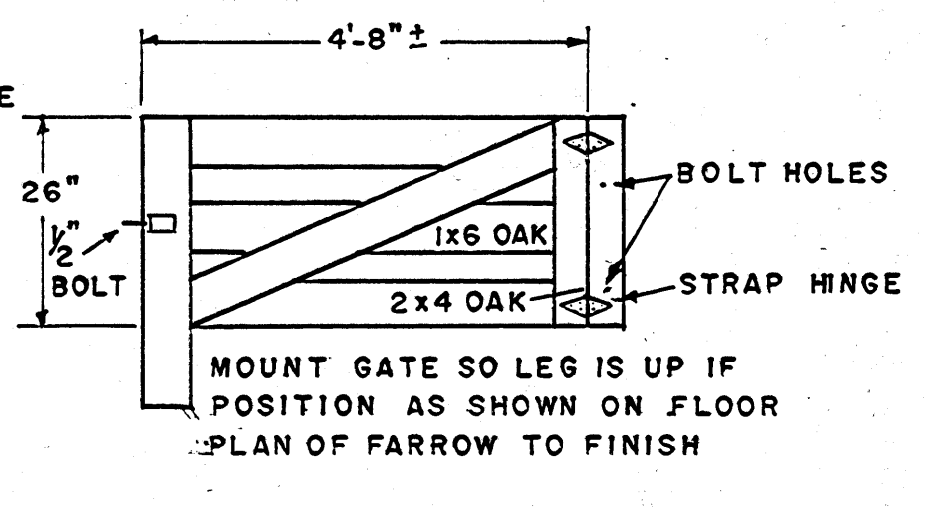
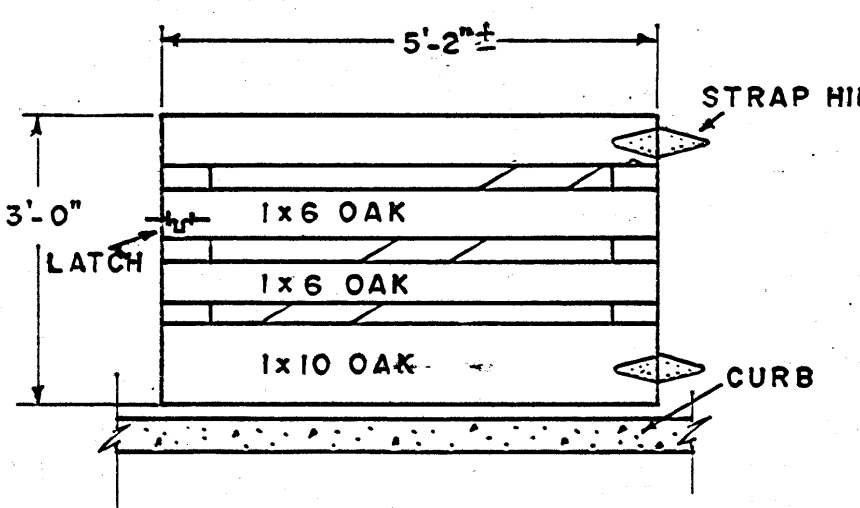
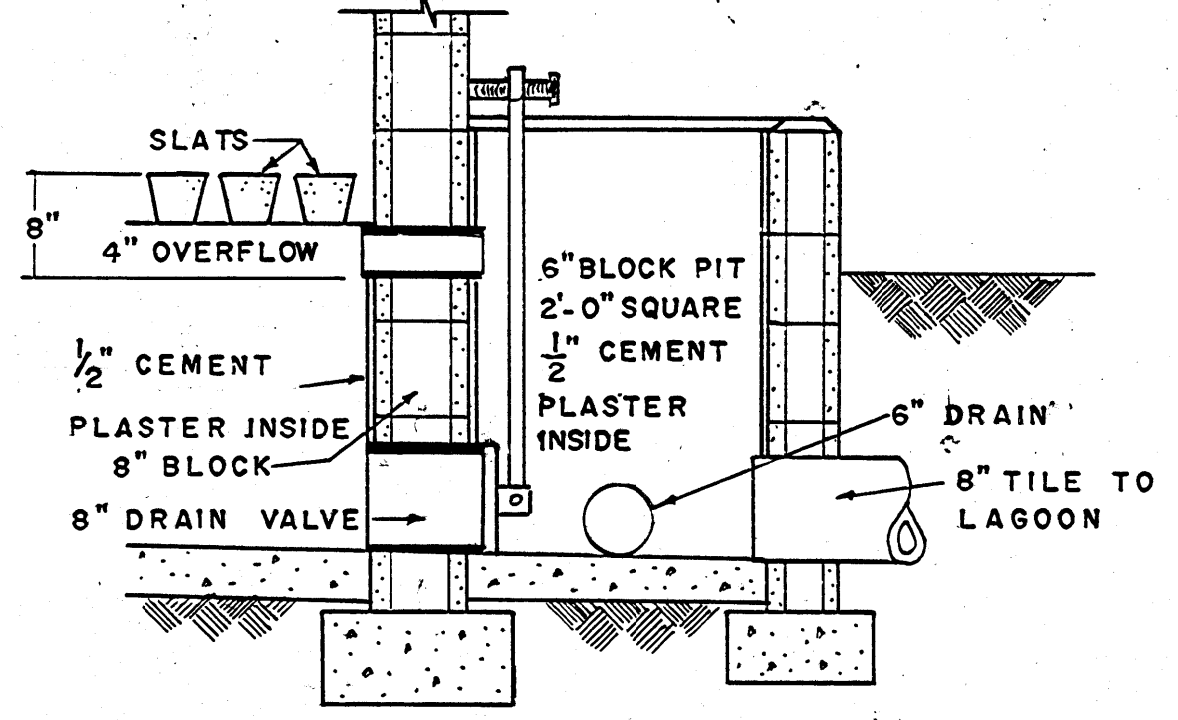
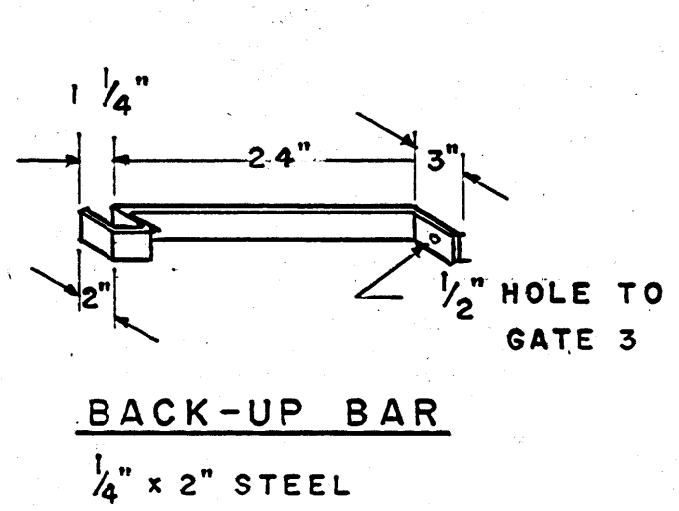
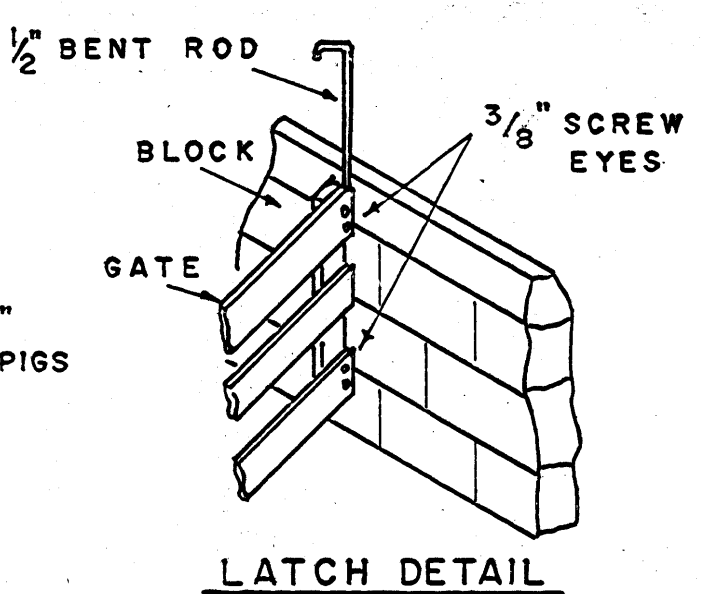
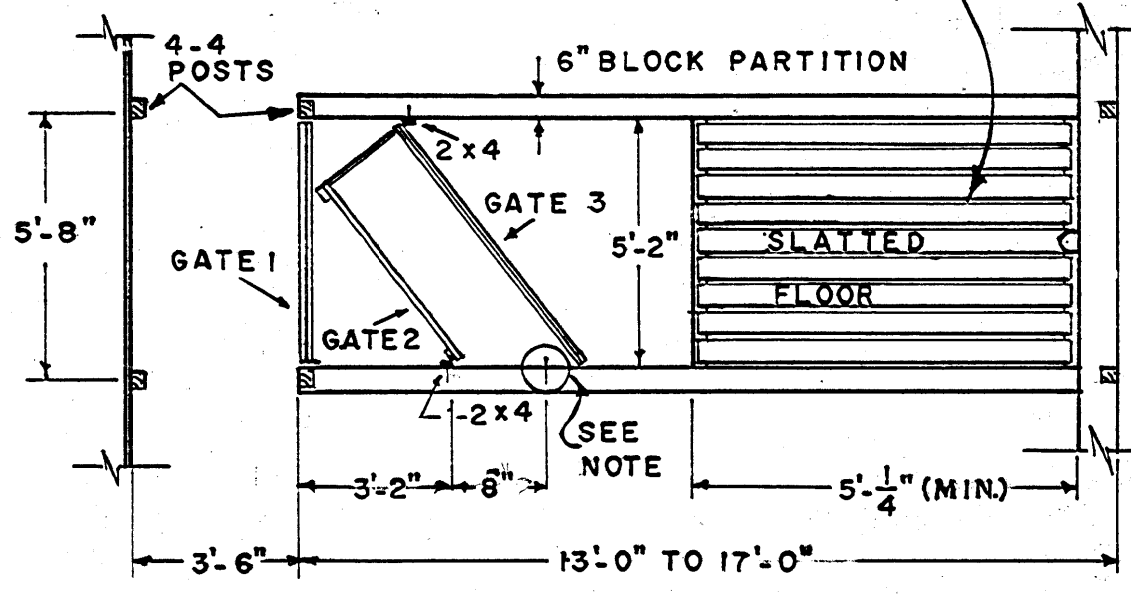


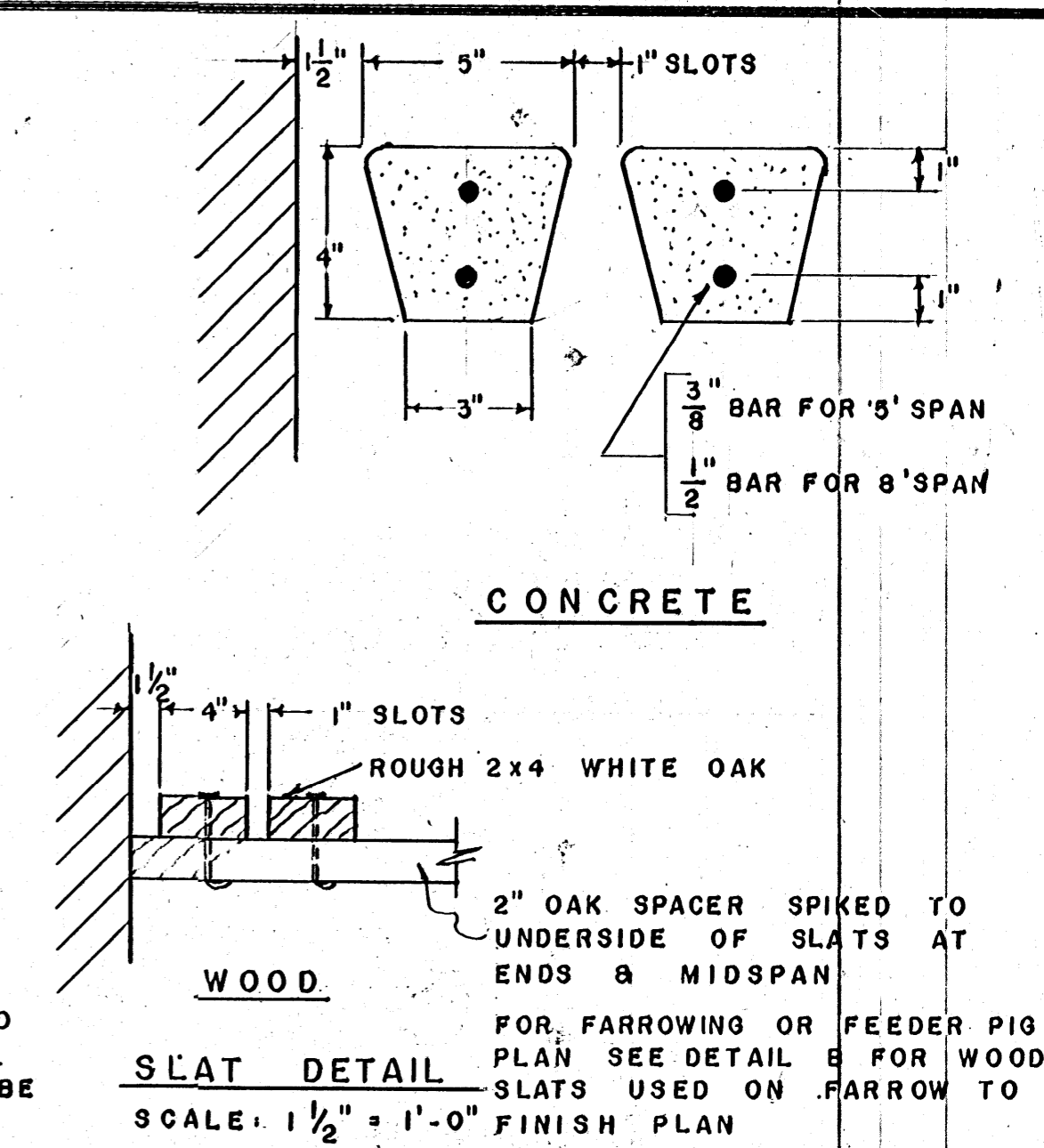
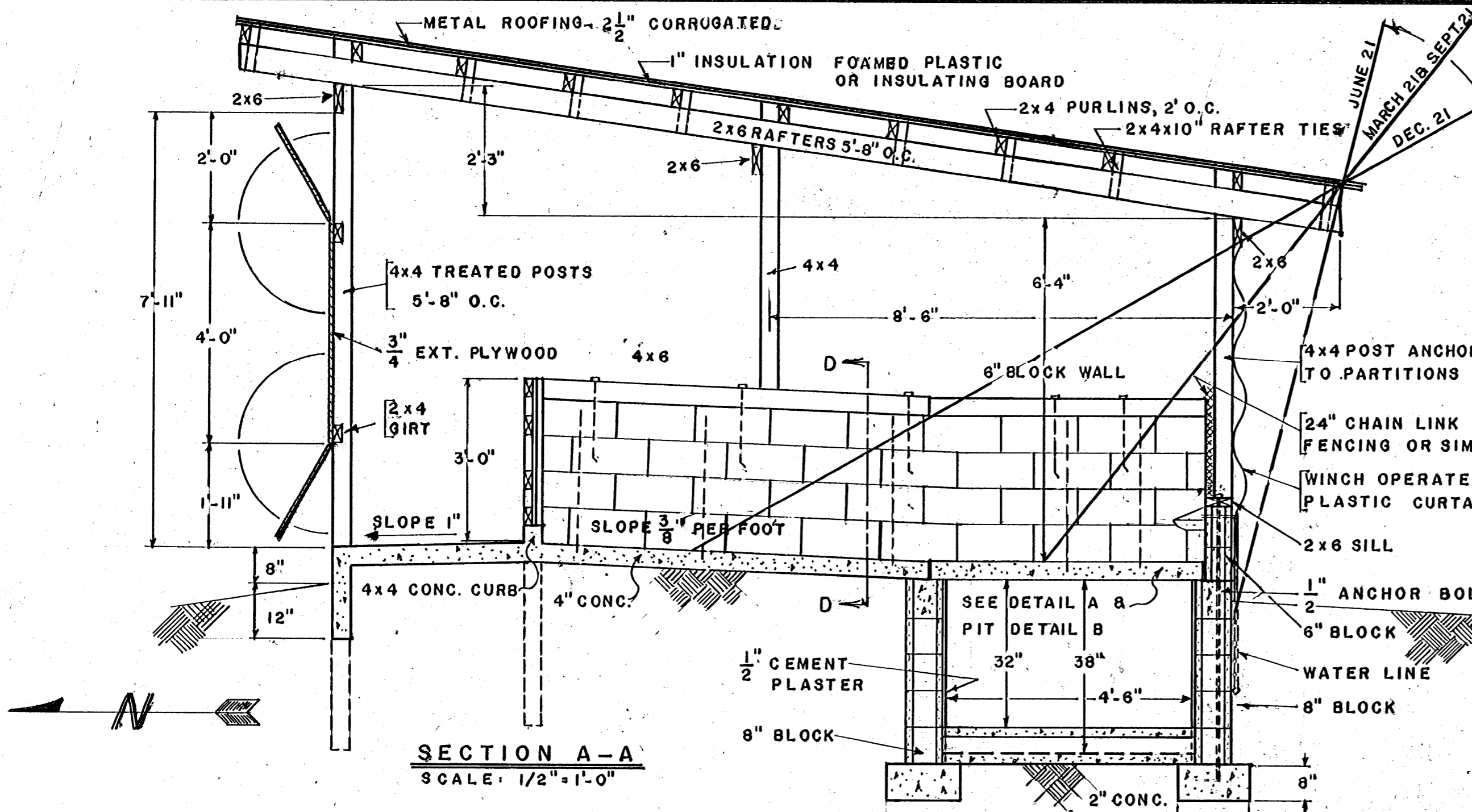
FLOOR PLAN - TYPICAL PEN

COVER SLATS OR PEN PIGS AWAY FROM SLATS FOR APPROXIMATELY ONE WEEK AFTER FARROWING

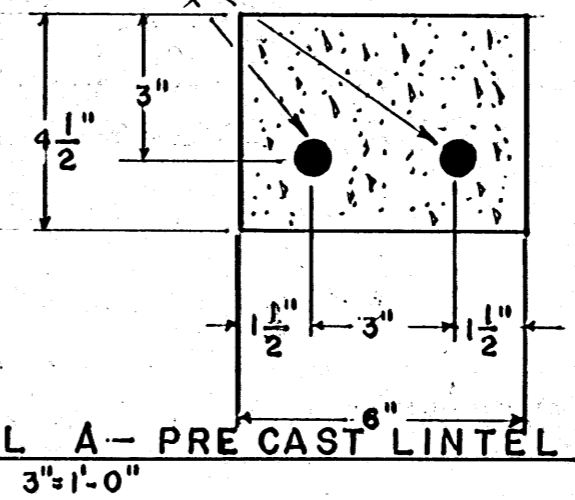
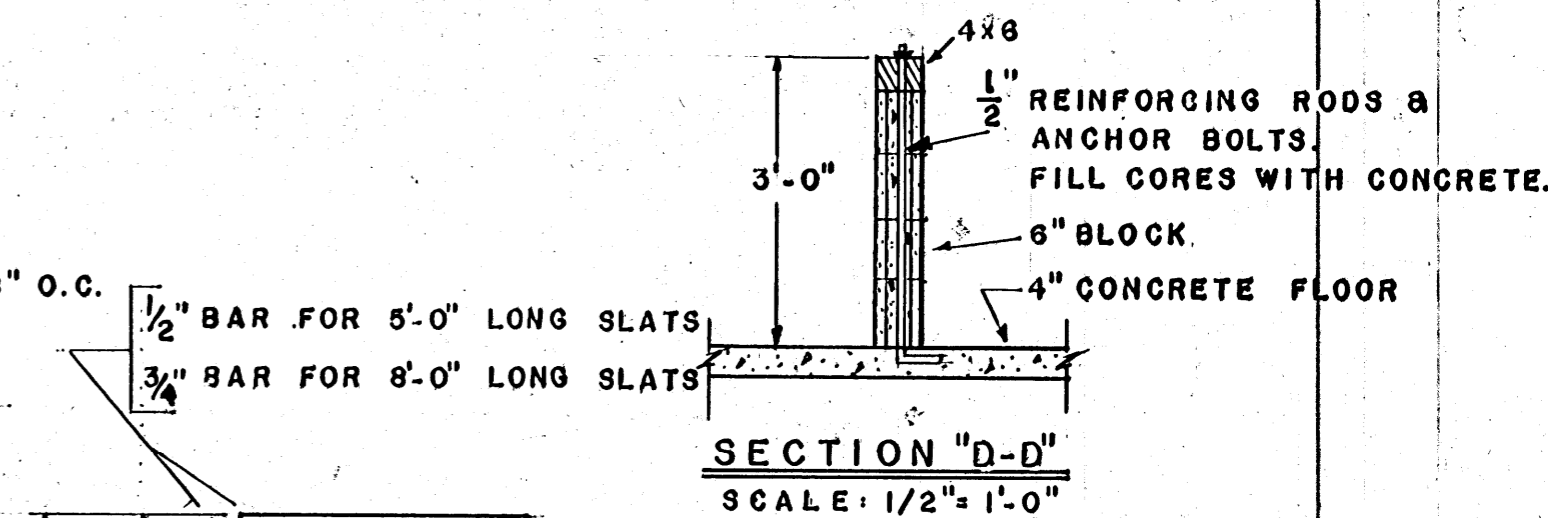
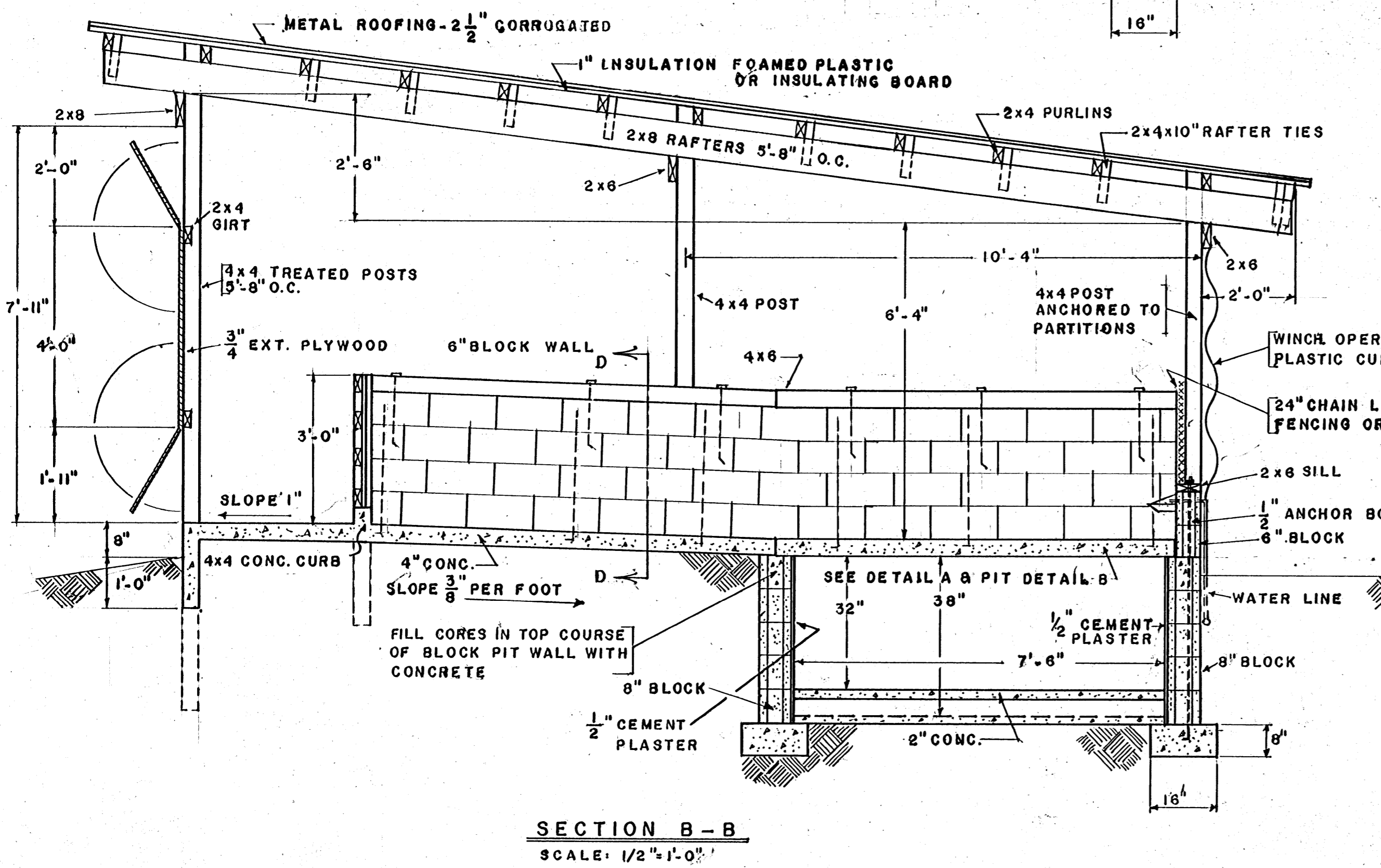
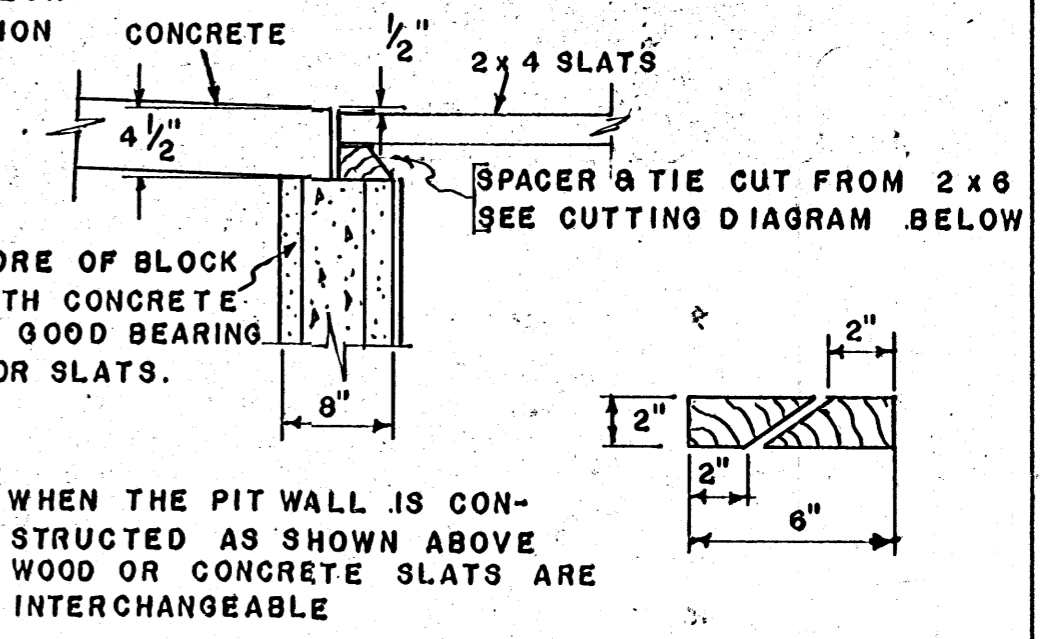


HOG HOUSES - FARROWING AND FARROW TO FINISH
COOPERATIVE EXTENSION SERVICE
STATE OF MISSISSIPPI
MISSISSIPPI STATE UNIVERSITY
AND
UNITED STATES DEPARTMENT OF AGRICULTURE COOPERATING

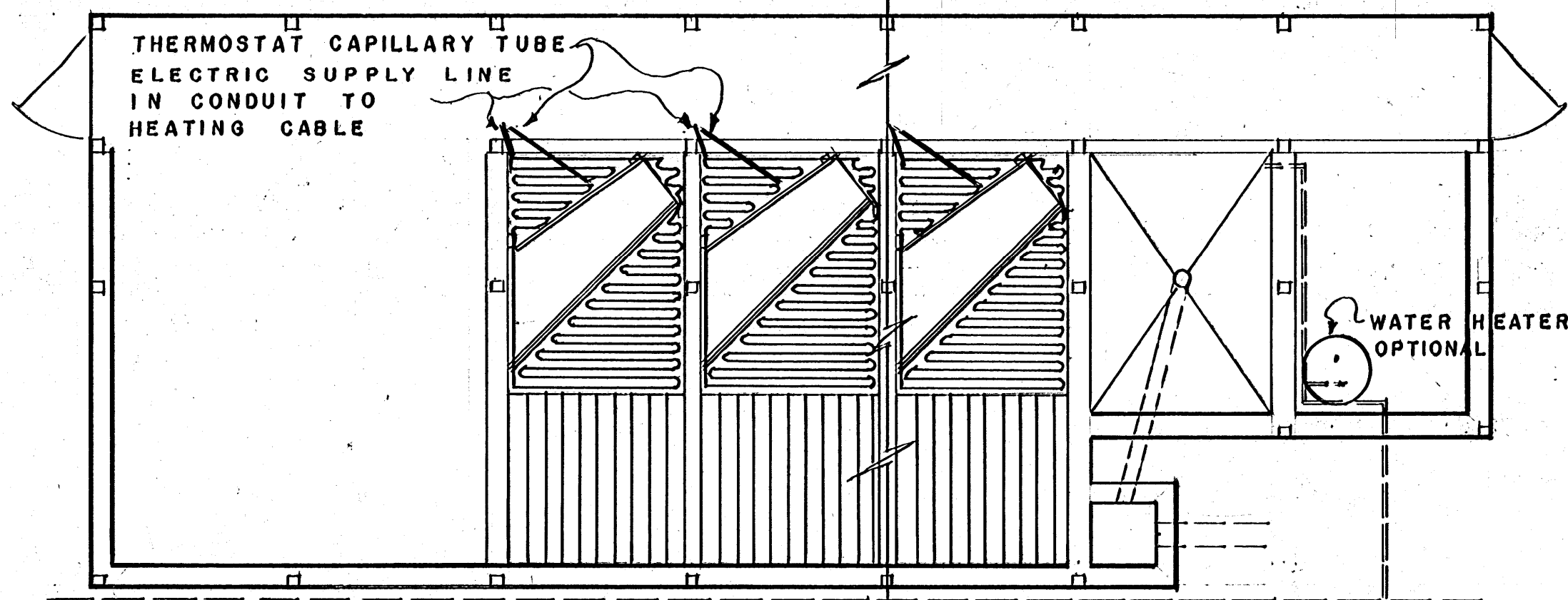
DRAWN BY: R.F.W. CHECKED BY: L.M.
DATE: NOV. '70 DWG. NO. 6073-A SHT. 1 OF 3



NOTE ON TRENCHES
 A TRENCHER CAN BE USED TO EXCAVATE A TRENCH. THE TRENCH CAN THEN BE FILLED WITH CONCRETE. USE 6" x 6" - NO. 10 MESH REINF. FOR FOUNDATION PIT WALL.

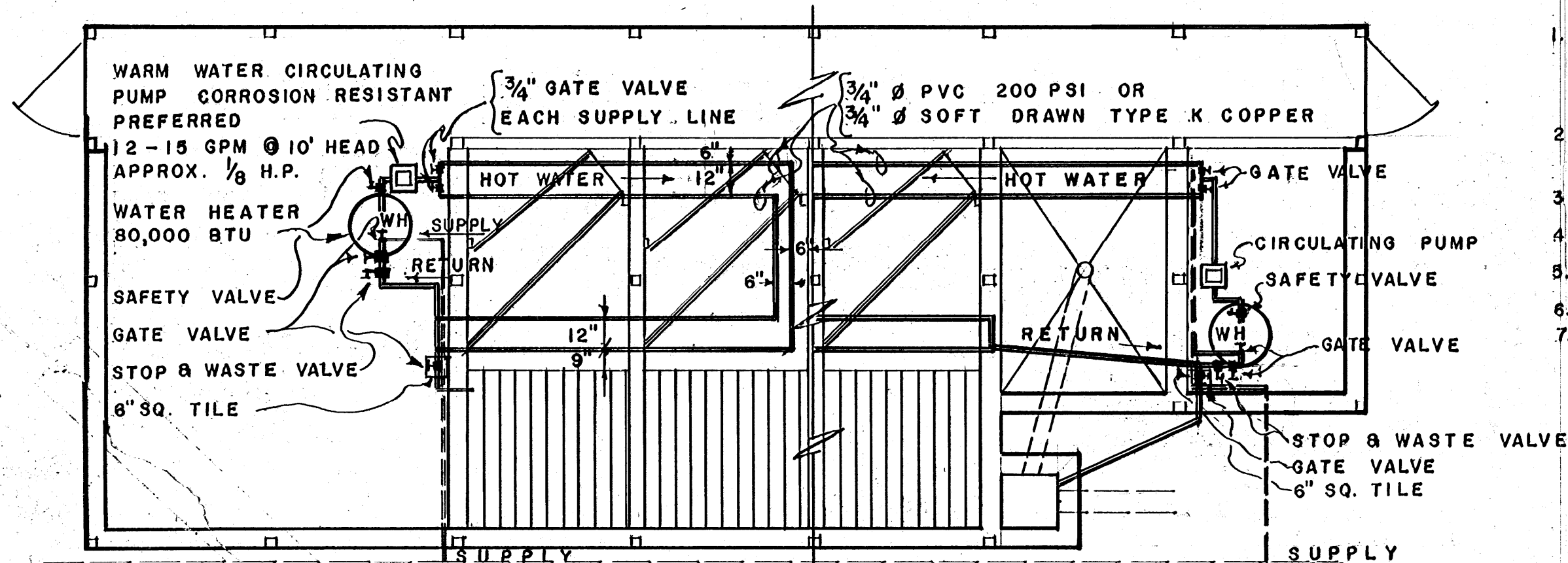


HOG HOUSES - FARROWING AND FARROW TO FINISH
 COOPERATIVE EXTENSION SERVICE
 STATE OF MISSISSIPPI
 MISSISSIPPI STATE UNIVERSITY
 AND
 UNITED STATES DEPARTMENT OF AGRICULTURE COOPERATING



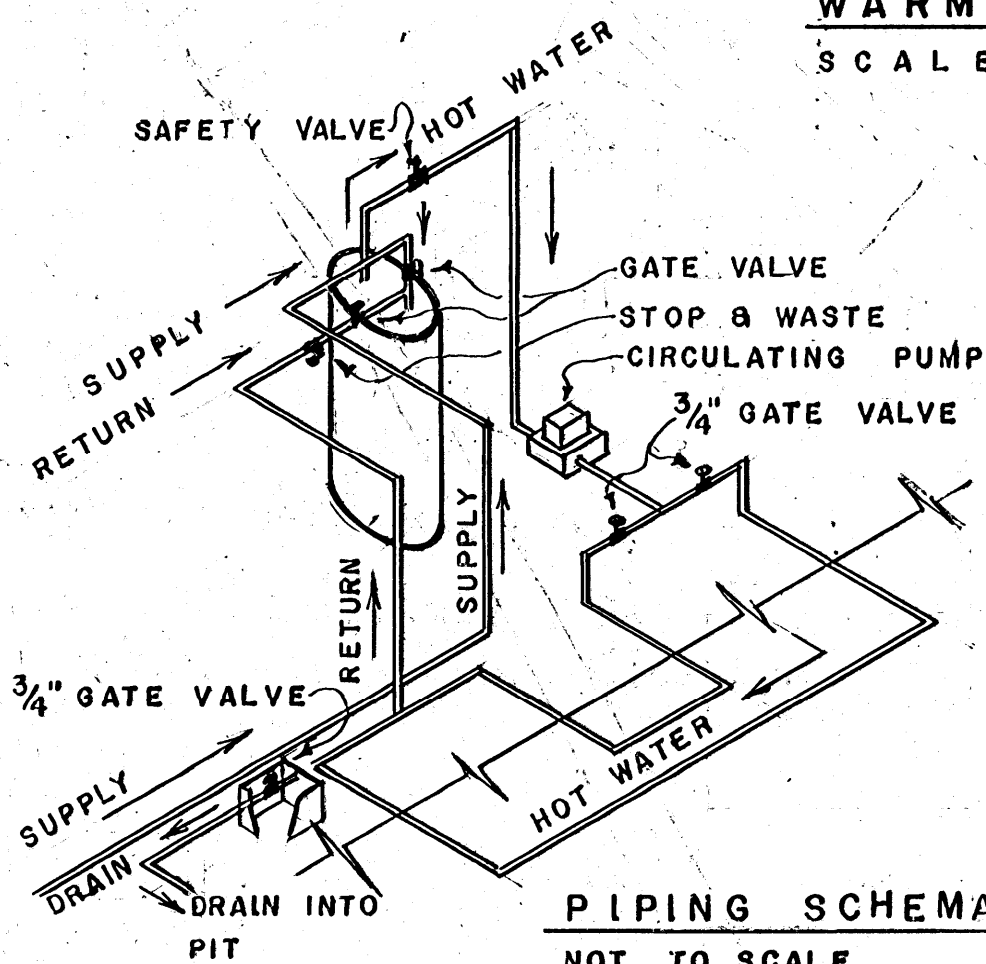
ELECTRIC HEATING CABLE SYSTEM

SCALE: $\frac{1}{4}'' = 1'-0''$



WARM WATER CIRCULATING SYSTEM

SCALE: $\frac{1}{4}'' = 1'-0''$



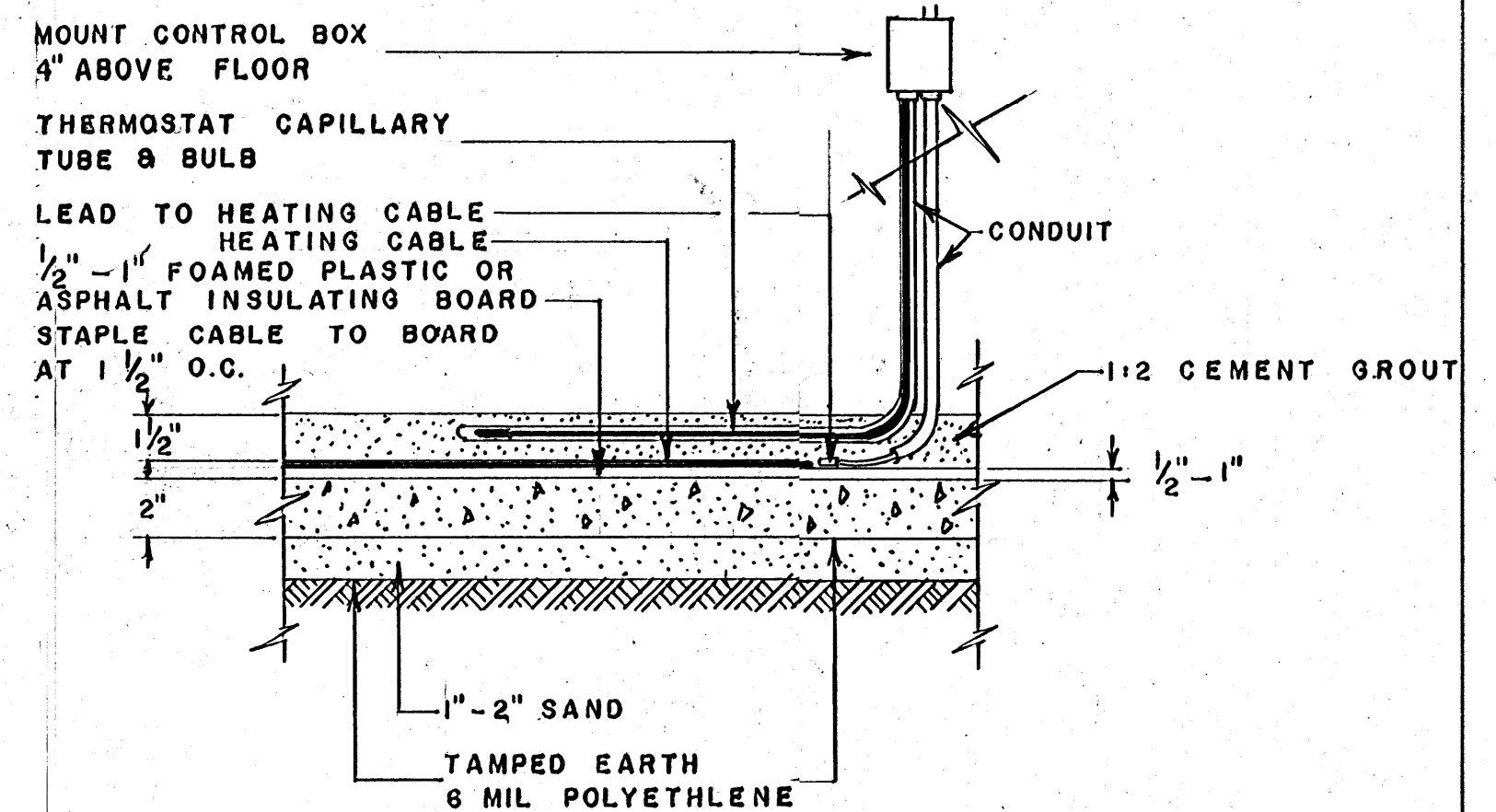
PIPING SCHEMATIC

NOT TO SCALE

- NOTES**
1. OUTLETS FOR HEAT LAMPS SHOULD BE INSTALLED REGARDLESS IF THIS SYSTEM OR THE ELECTRIC HEATING CABLE SYSTEM IS USED.
 2. CHECK SYSTEM WITH 150 P.S.I. AIR 24 HRS. BEFORE PLACING GROUT.
 3. REGULATE TEMPERATURE WITH WATER HEATER THERMOSTAT.

PIPING SYMBOLS

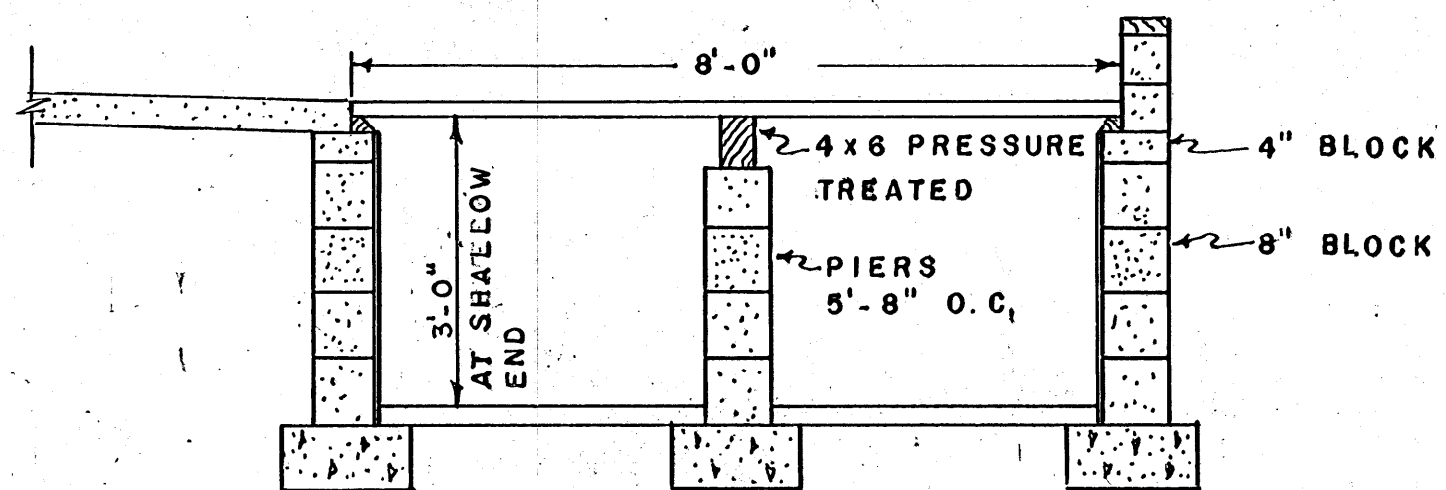
- SAFETY VALVE
- GATE VALVE
- STOP & WASTE VALVE
- COLD WATER SUPPLY
- HOT WATER
- WARM WATER CIRCULATING PUMP



ELECTRIC HEATING CABLE SYSTEM *

NOT TO SCALE

- NOTES**
1. SEVERAL GRATE UNITS CAN BE CONTROLLED BY THE SAME THERMOSTAT; NOT TO EXCEED THE RATED HEATING LOAD; SWITCH CONTROL EACH DEN
 2. HEAT LAMPS WILL BE NEEDED IN EXTREME COLD WEATHER IN ADDITION TO THE HEATING CABLE
 3. CHECK CONTINUITY OF CABLE BEFORE PLACING GROUT
 4. AVOID STRIKING HEATING CABLE WITH EVERYTHING
 5. SET THERMOSTAT AT DESIRED TEMPERATURE
 6. THIS SYSTEM CAN BE USED IN A FINISHING BLDG.
 7. A CUT OFF SWITCH SHOULD BE LOCATED AT EACH PEN



DETAIL B

SCALE: $\frac{1}{2}'' = 1'-0''$

PIT DETAIL USING WOOD SLATS

HOG HOUSES - FARROWING AND FARROW TO FINISH

COOPERATIVE EXTENSION SERVICE
STATE OF MISSISSIPPI
MISSISSIPPI STATE UNIVERSITY
AND

UNITED STATES DEPARTMENT OF AGRICULTURE COOPERATING

DRAWN BY: R.F.W. CHECKED BY: L.M.

* ADAPTED FROM TVA LEAFLET

DATE: NOV. '70 DWG. NO. 6073-A SHEET 3 OF 3