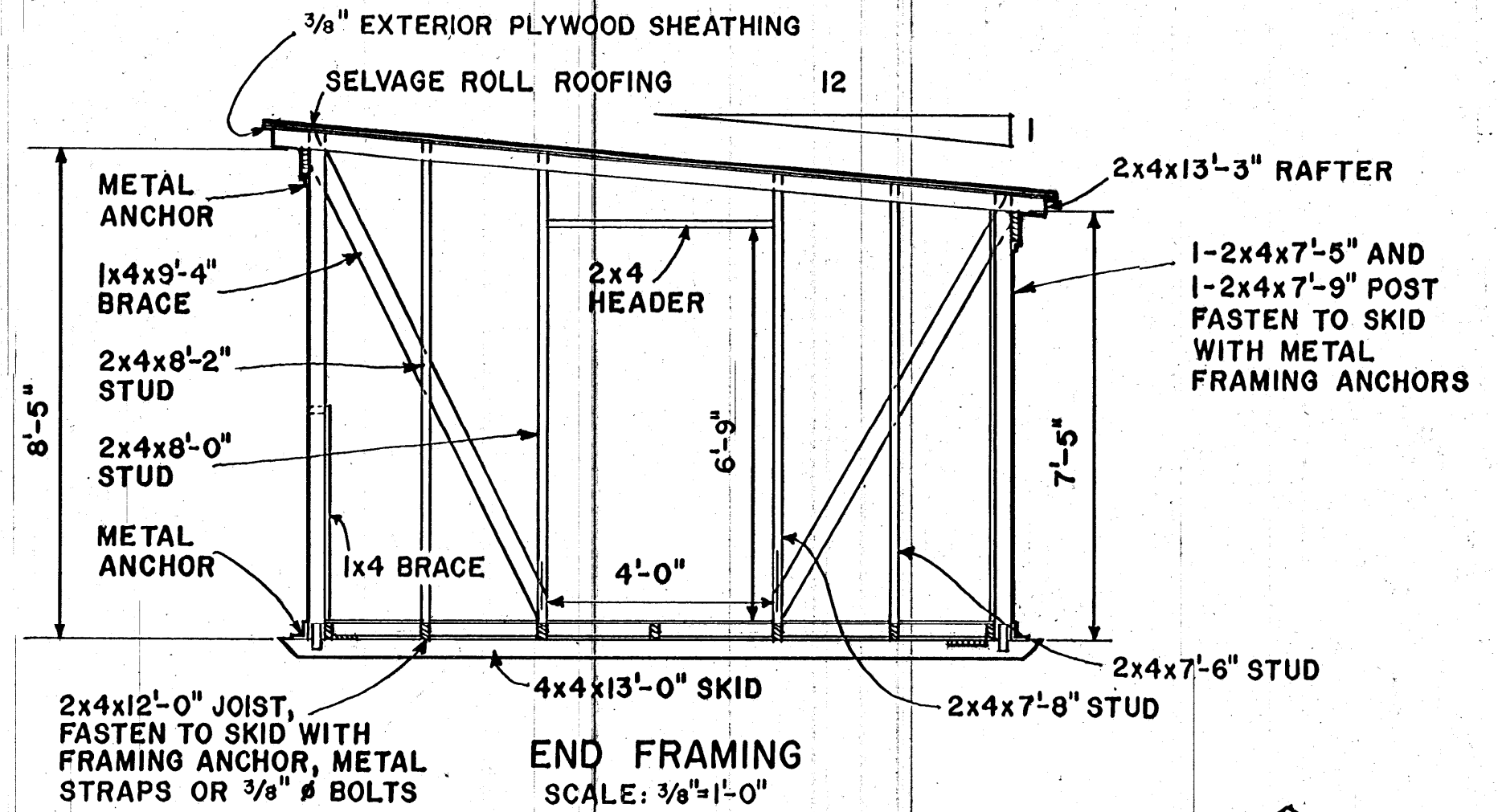
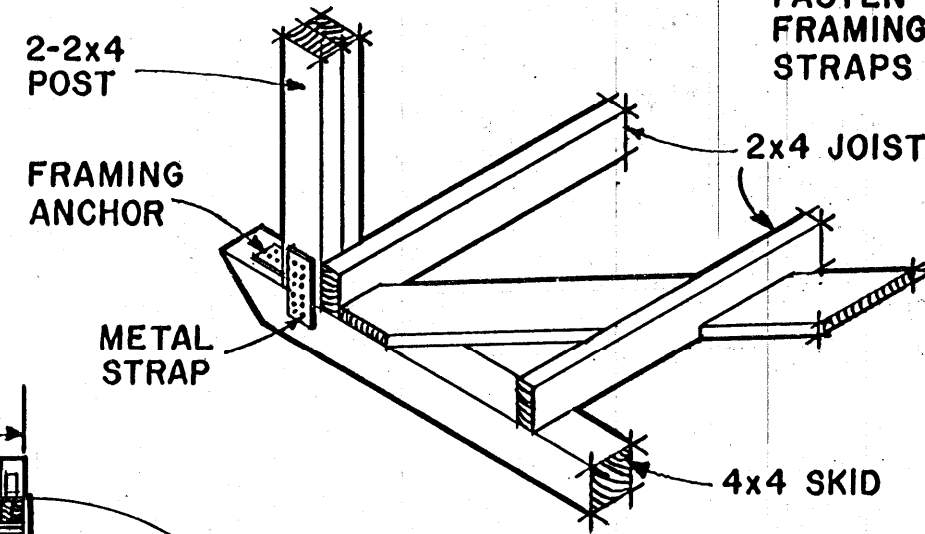


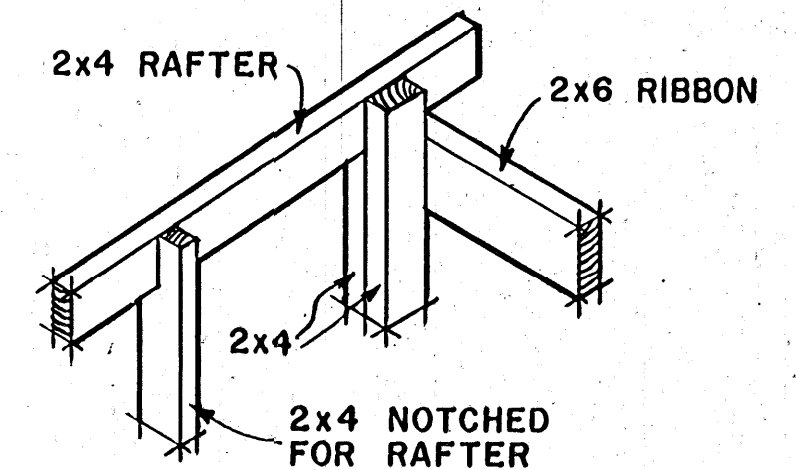
**FRONT FRAMING**  
SCALE: 3/8"=1'-0"



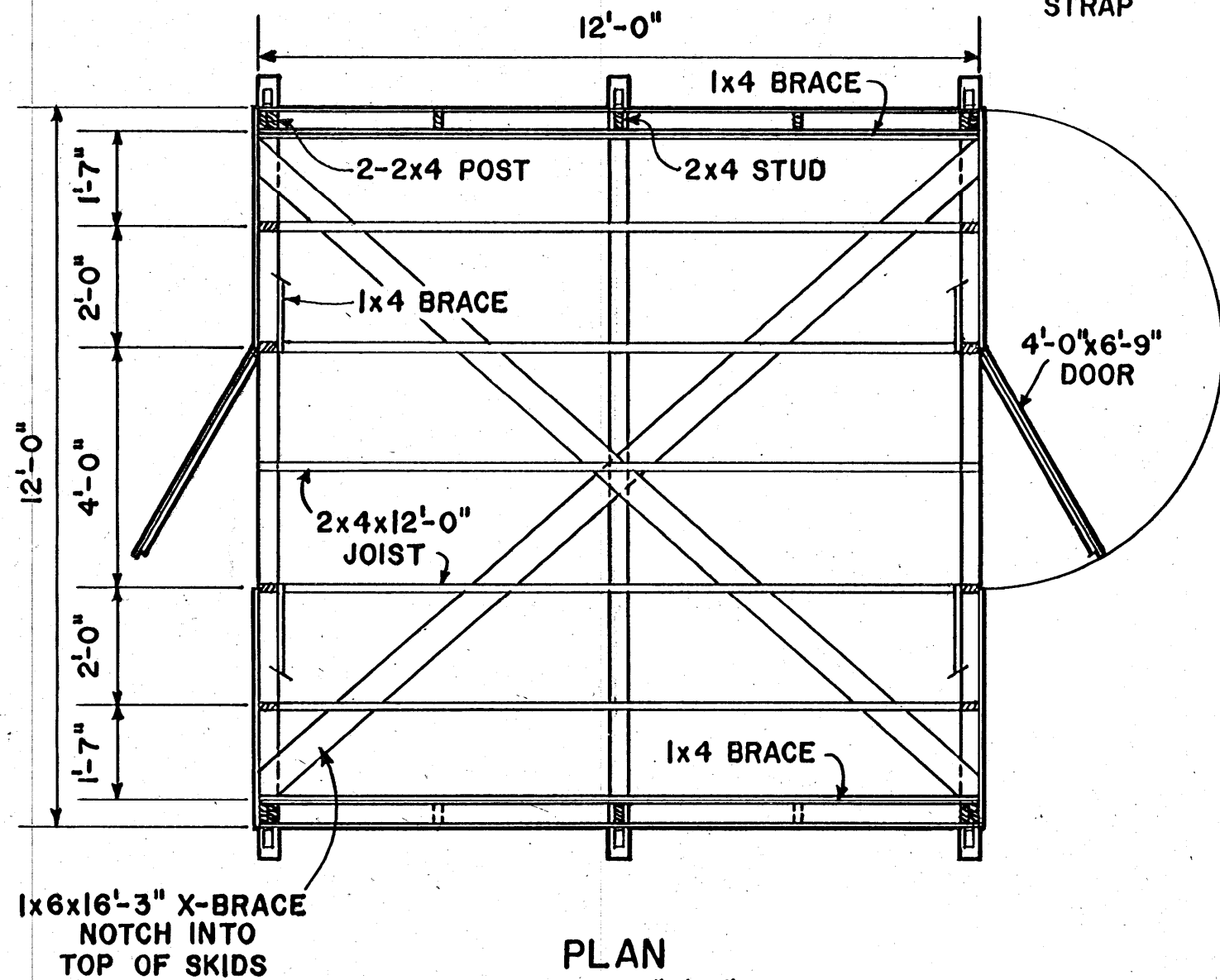
**END FRAMING**  
SCALE: 3/8"=1'-0"



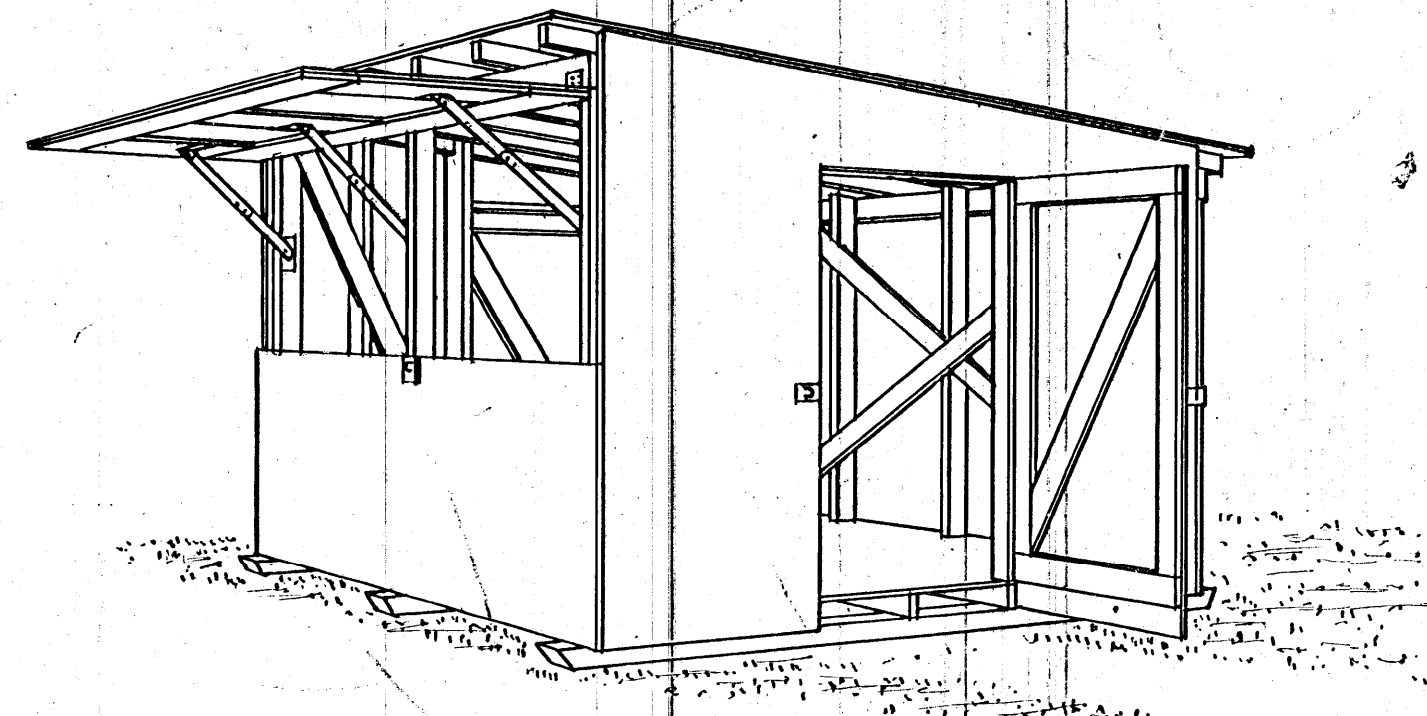
**CORNER POST DETAIL**  
SCALE: 3/4"=1'-0"



**CORNER POST DETAIL**  
SCALE: 3/4"=1'-0"



**PLAN**  
SCALE: 3/8"=1'-0"



**NOTES:**

3/8" EXTERIOR PLYWOOD, ALUMINUM, OR GALVANIZED SHEET METAL MAY BE USED FOR SIDING.

SKIDS, JOISTS, X-BRACING, BOTTOM PART OF POSTS AND STUDS TO BE TREATED WITH PRESERVATIVE SUCH AS CREOSOTE OR PENTACHLOROPHENOL.

COOPERATIVE EXTENSION WORK IN  
AGRICULTURE AND HOME ECONOMICS  
STATE OF MISSISSIPPI  
MISSISSIPPI STATE UNIVERSITY  
AND  
UNITED STATES DEPARTMENT OF AGRICULTURE COOPERATING

**MOVABLE SHED**

W. VA. '70 6099 SHEET 1 OF 1