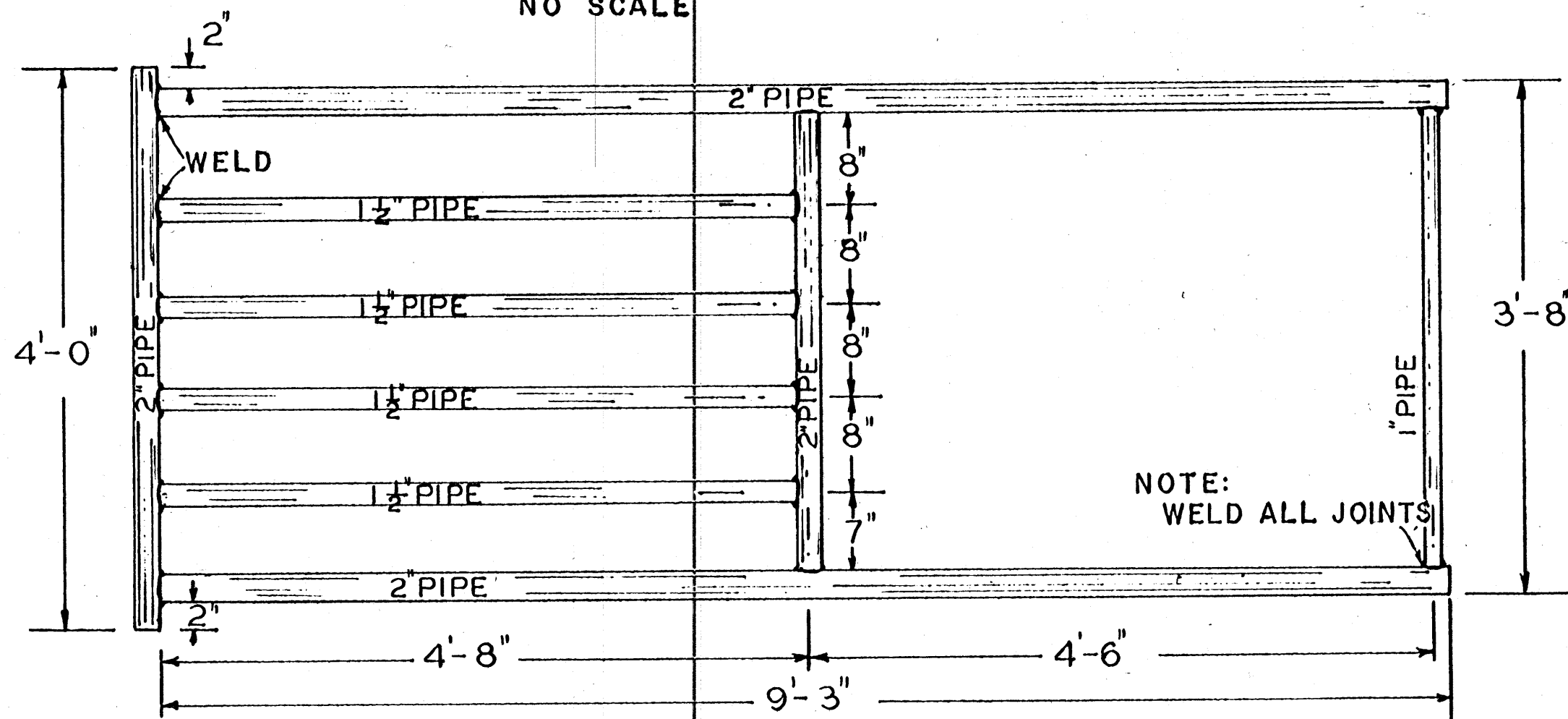
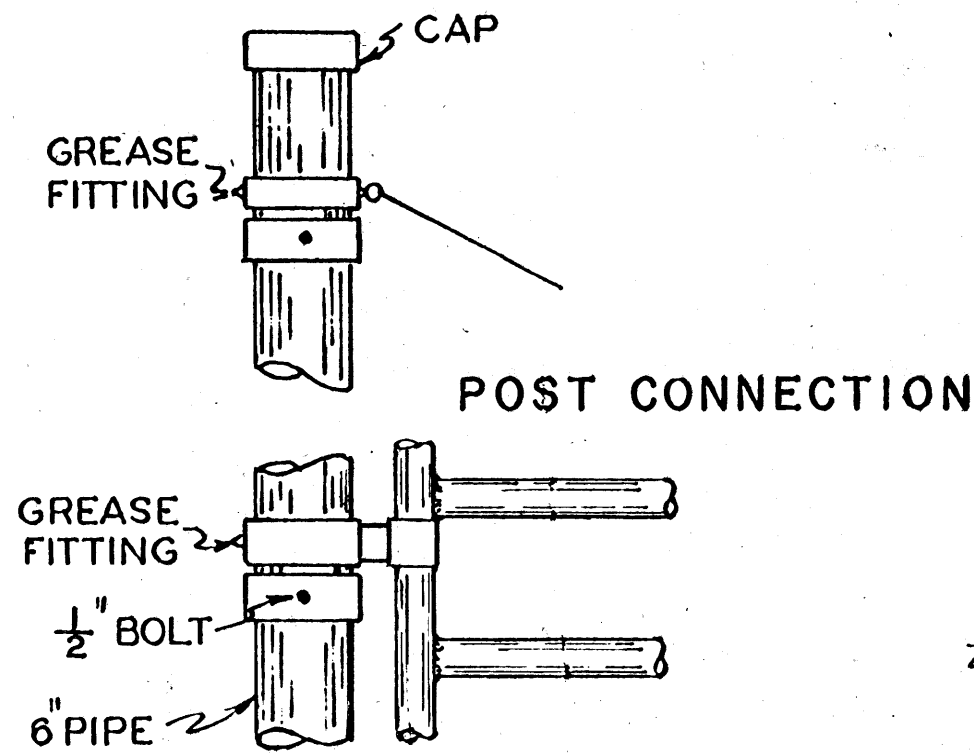
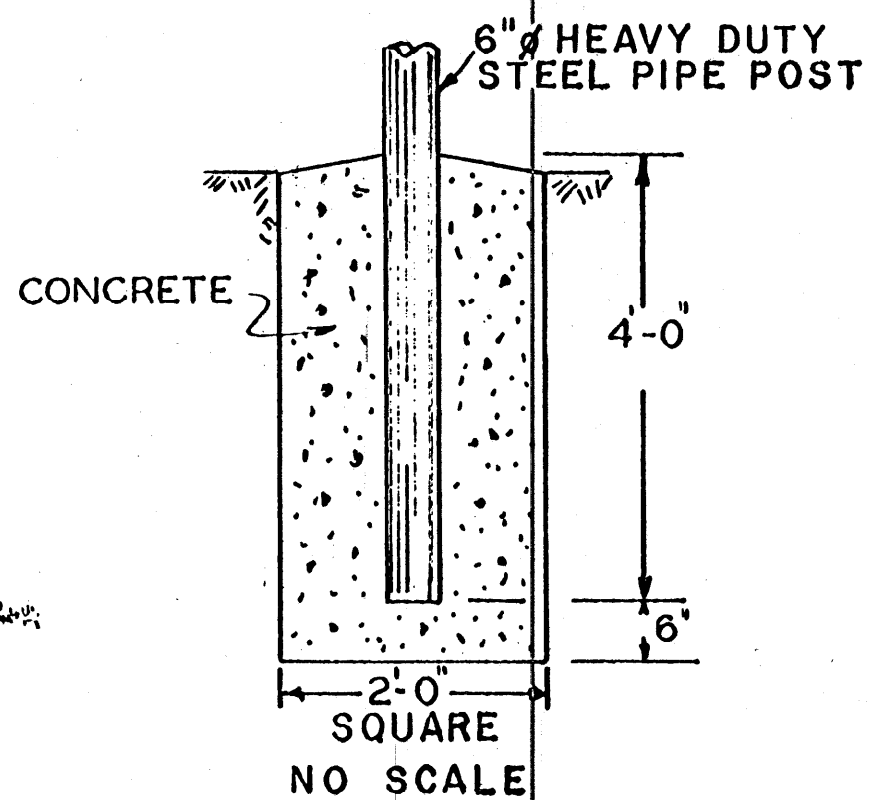
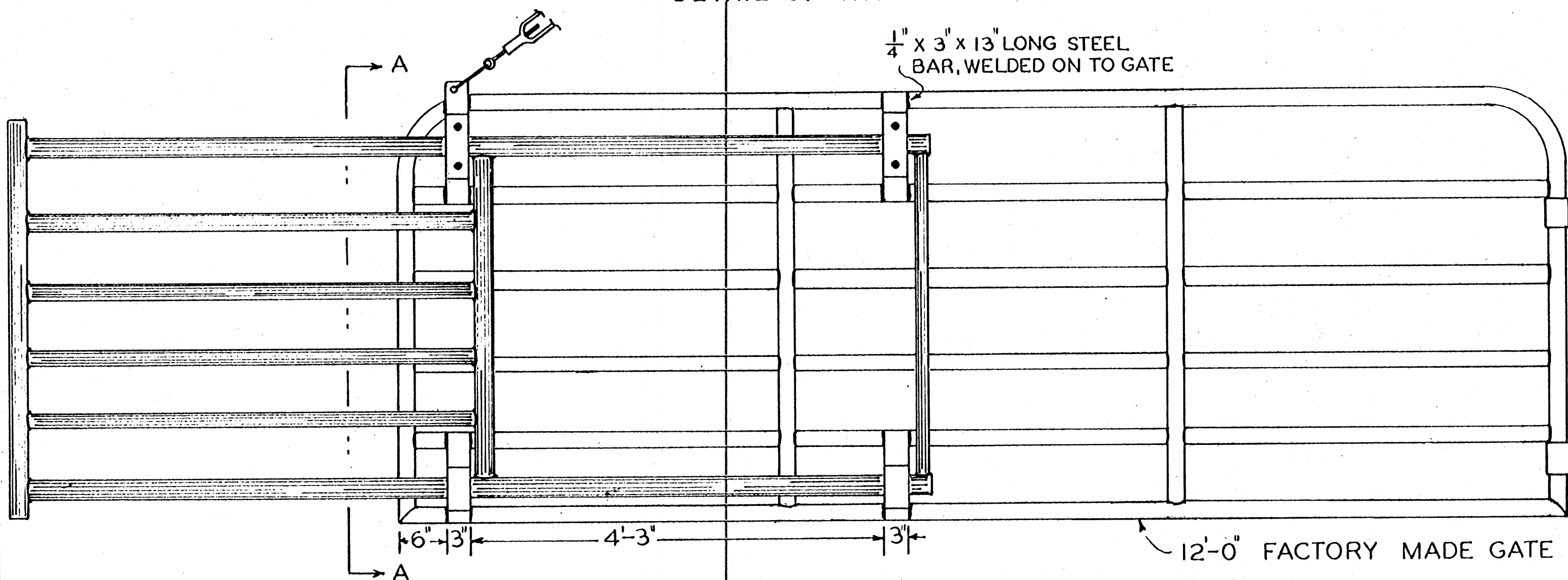
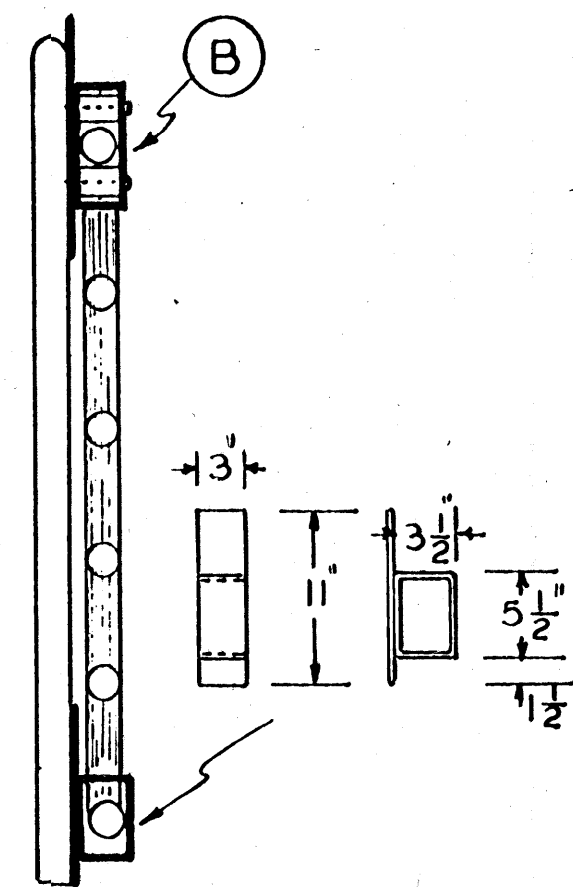
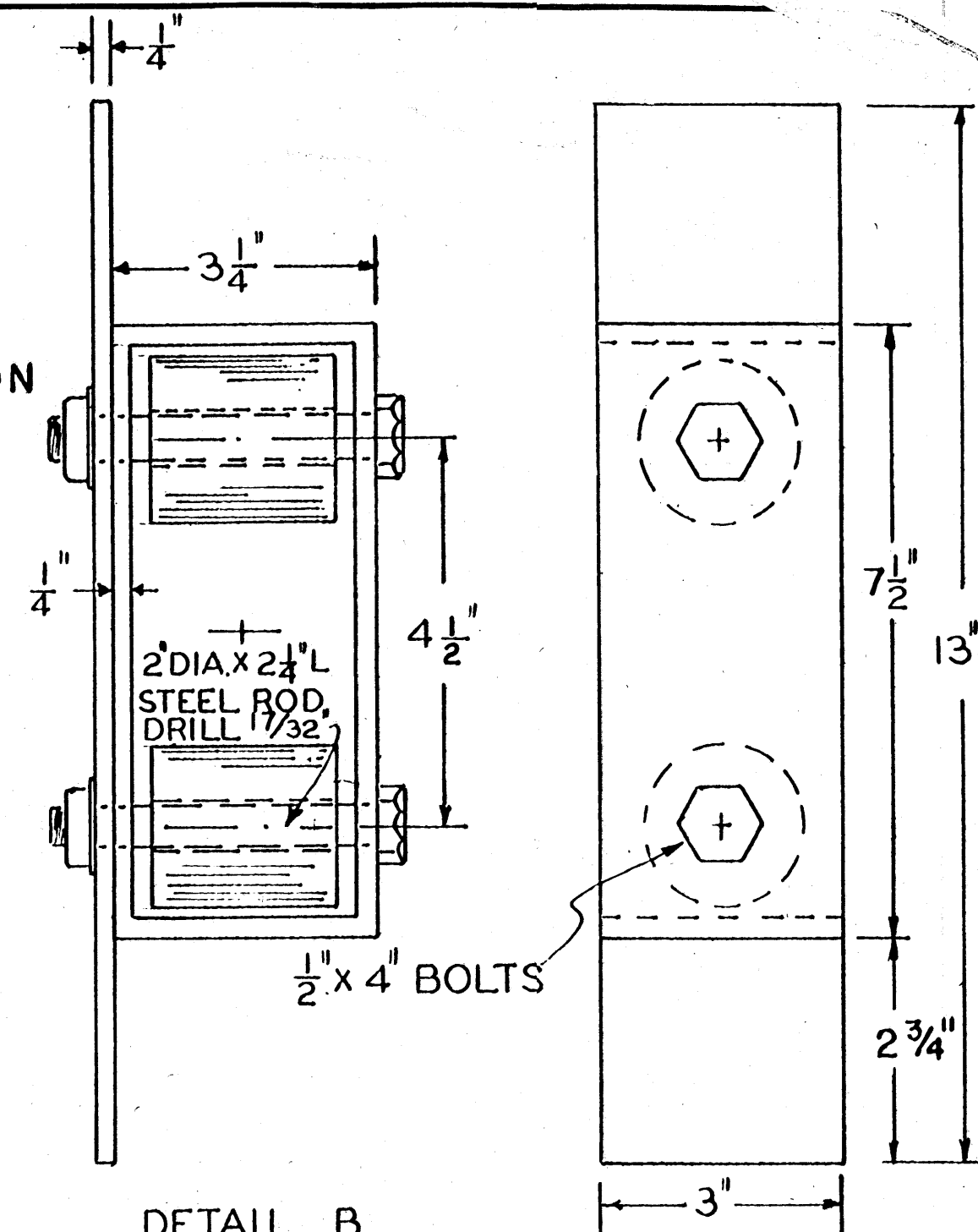


PICTORIAL VIEW



DETAIL OF GATE



GATE ASSEMBLY

SCALE: 1" = 1'-0" UNLESS OTHERWISE NOTED.

BASED ON: OREGON STATE UNIV.
PLAN NO. BP 109

COOPERATIVE EXTENSION WORK IN
AGRICULTURE AND HOME ECONOMICS
STATE OF MISSISSIPPI
MISSISSIPPI STATE UNIVERSITY
AND
UNITED STATES DEPARTMENT OF AGRICULTURE COOPERATING

GATE TELESCOPING TYPE		
ORE. '72	6151	SHEET 1 OF 1