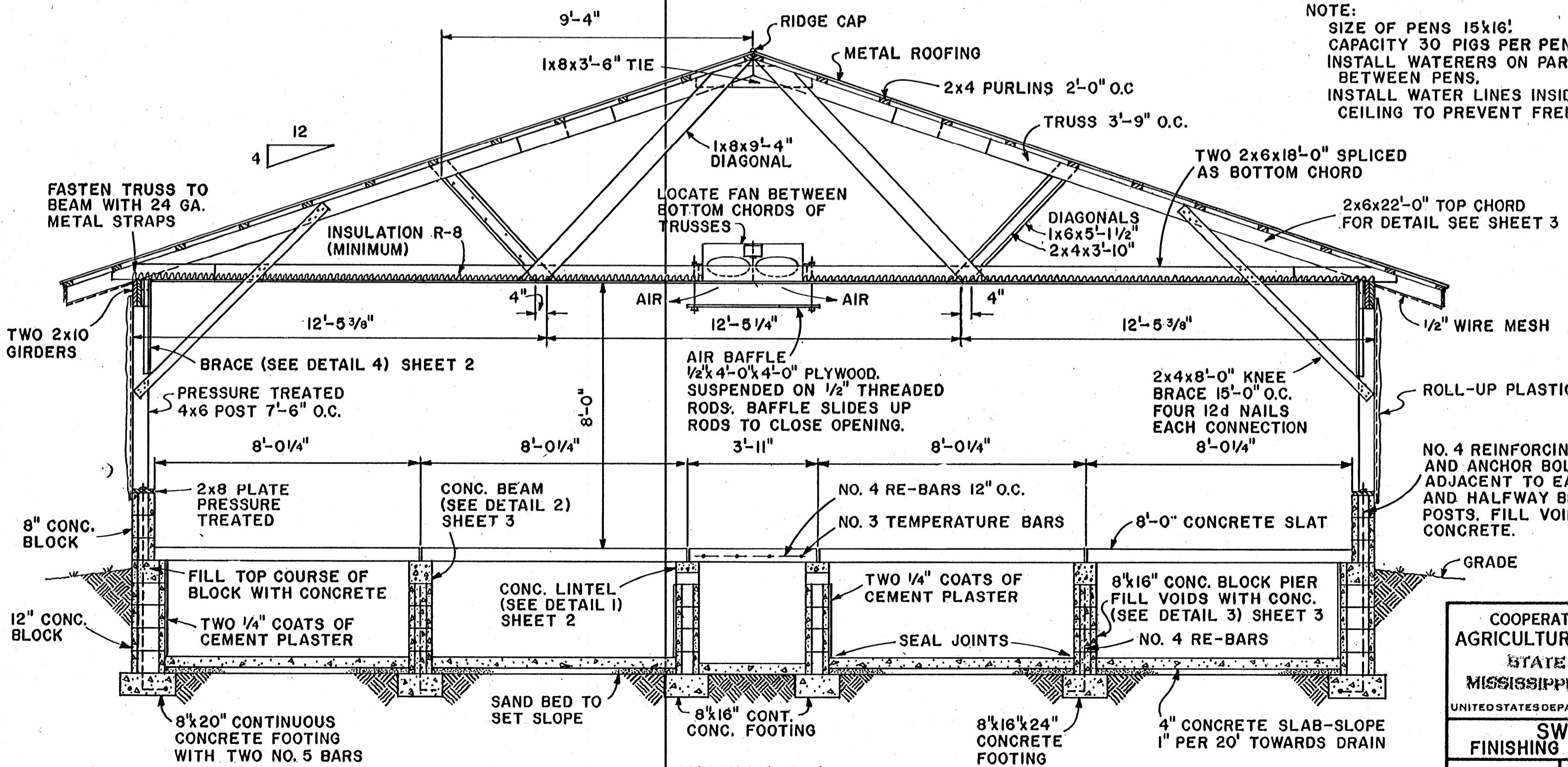


FOUNDATION AND FLOOR PLAN
SCALE: 1/8"=1'-0"



SECTION A-A
SCALE: 3/8"=1'-0"

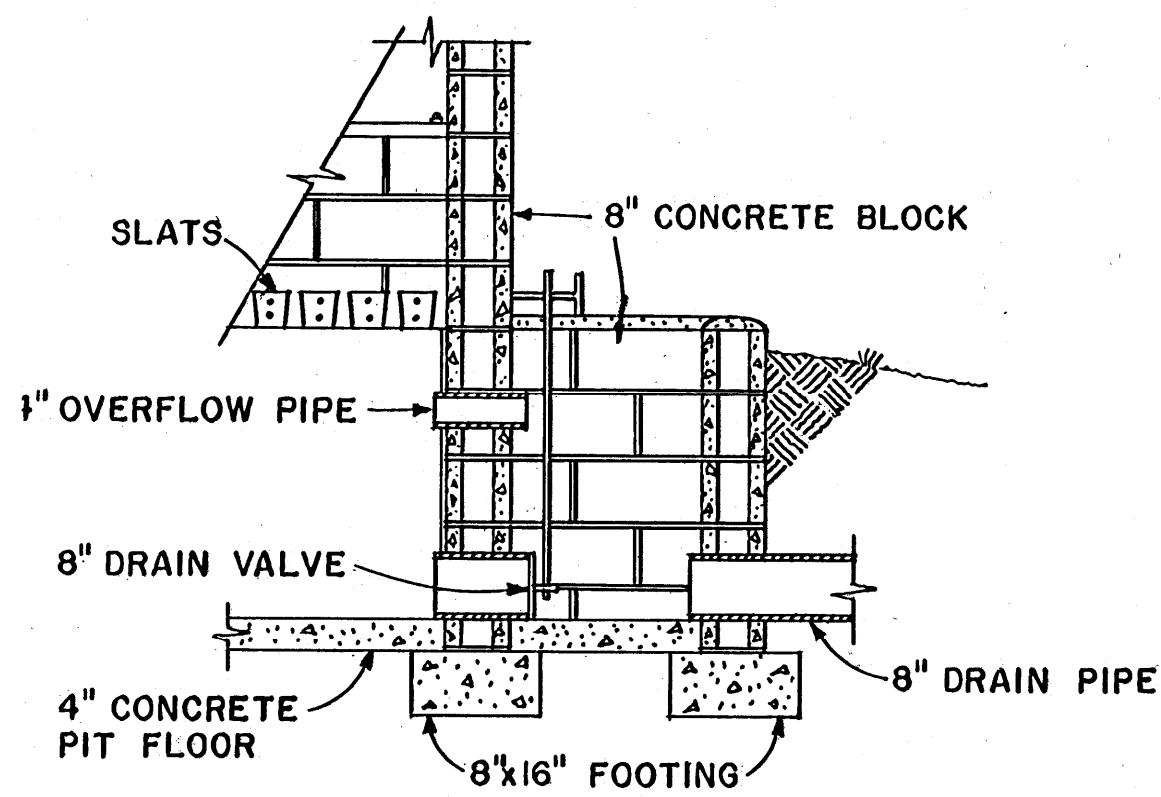
NOTE:
SIZE OF PENS 15x16'
CAPACITY 30 PIGS PER PEN.
INSTALL WATERERS ON PARTITIONS
BETWEEN PENS.
INSTALL WATER LINES INSIDE NEAR
CEILING TO PREVENT FREEZING.

COOPERATIVE EXTENSION WORK IN
AGRICULTURE AND HOME ECONOMICS
STATE OF MISSISSIPPI
MISSISSIPPI STATE UNIVERSITY
AND
UNITED STATES DEPARTMENT OF AGRICULTURE COOPERATING

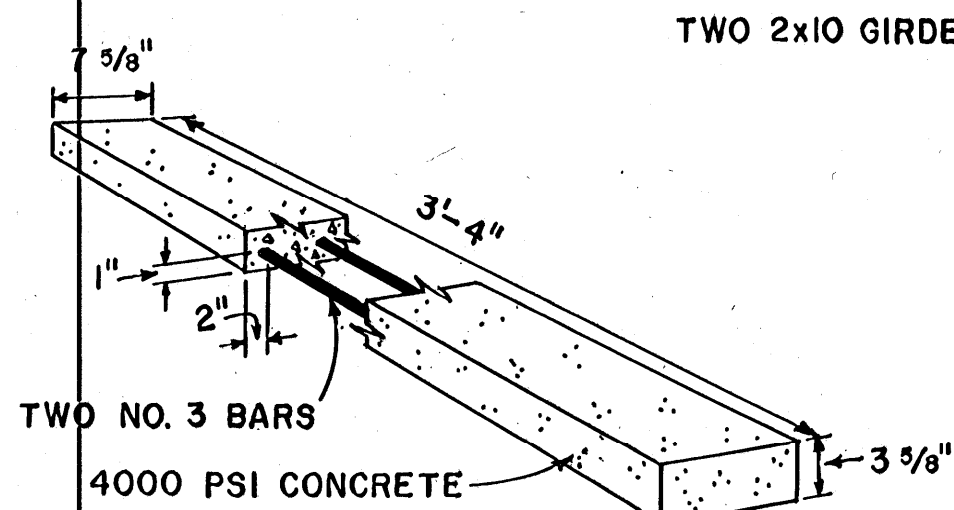
SWINE BUILDING
FINISHING FLOOR-TOTAL SLATS

N.C.	'73	6159	SHEET 1 OF 3
------	-----	------	--------------

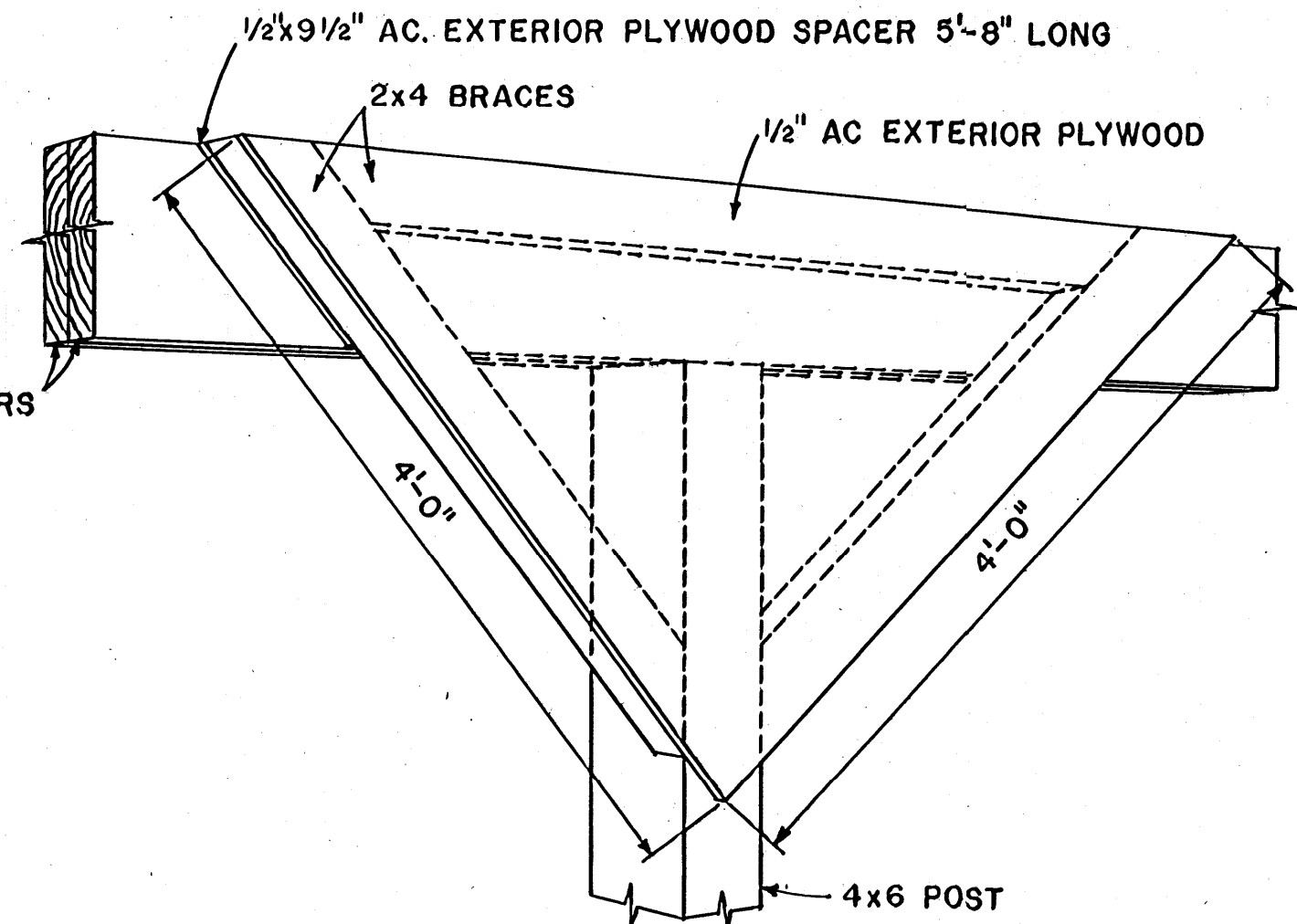
BASED ON: N.C. STATE UNIV. PLAN NO. 528



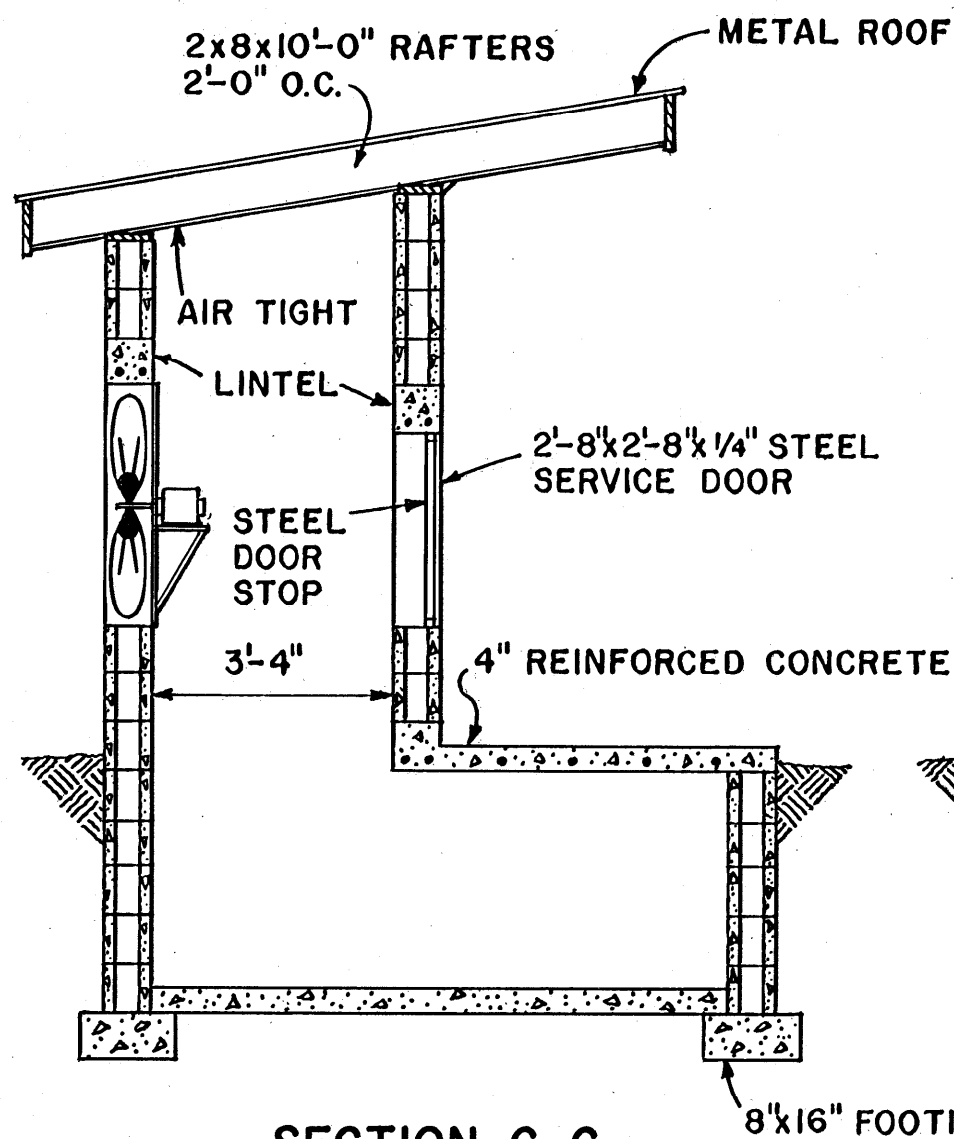
SECTION D-D
PIT DRAIN DETAIL
SCALE: 1/2" = 1'-0"



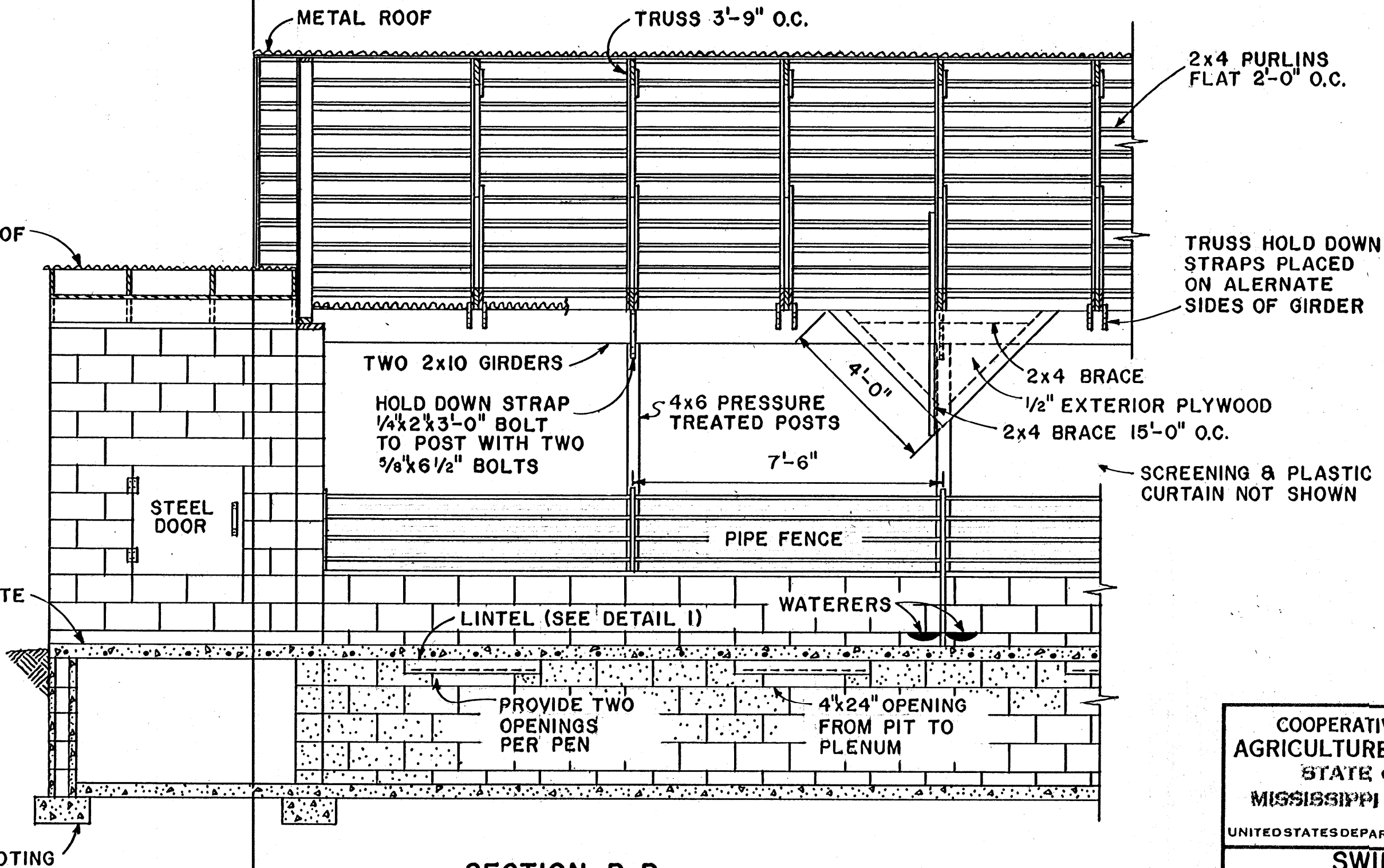
CONCRETE LINTEL DETAIL NO. 1
PERSPECTIVE



POST BRACING DETAIL 4
PERSPECTIVE



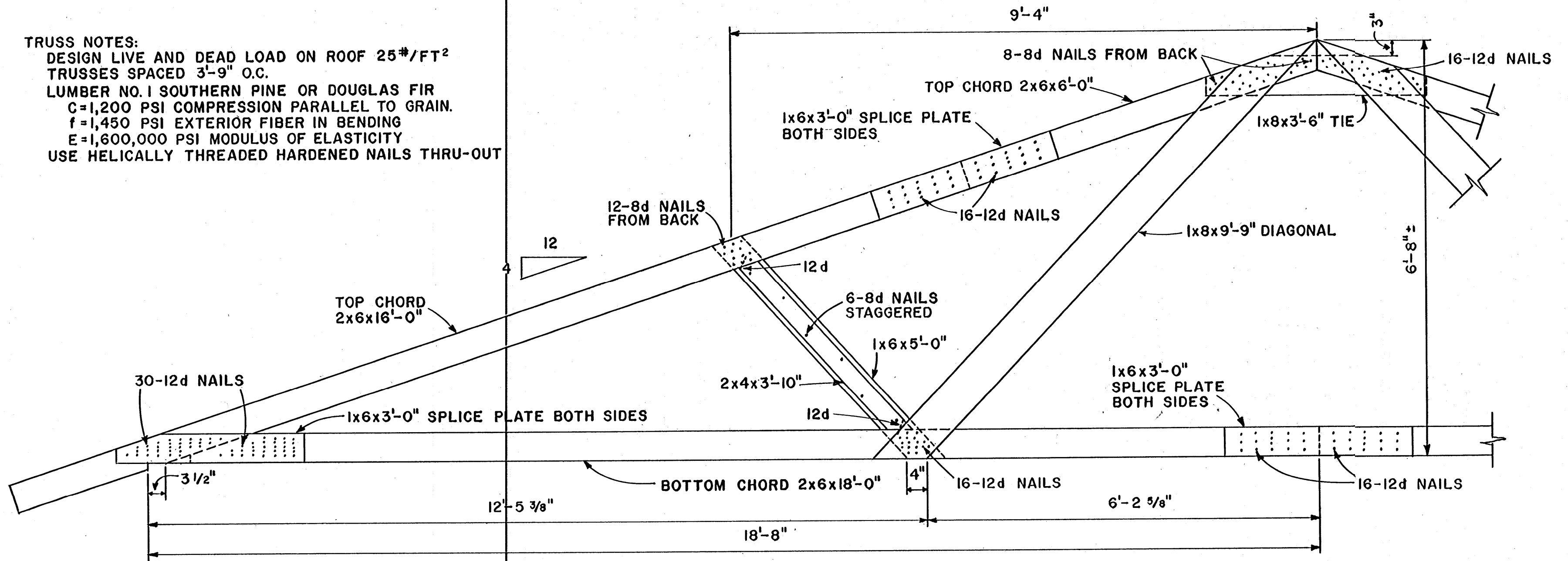
SECTION C-C
SCALE: 3/8" = 1'-0"



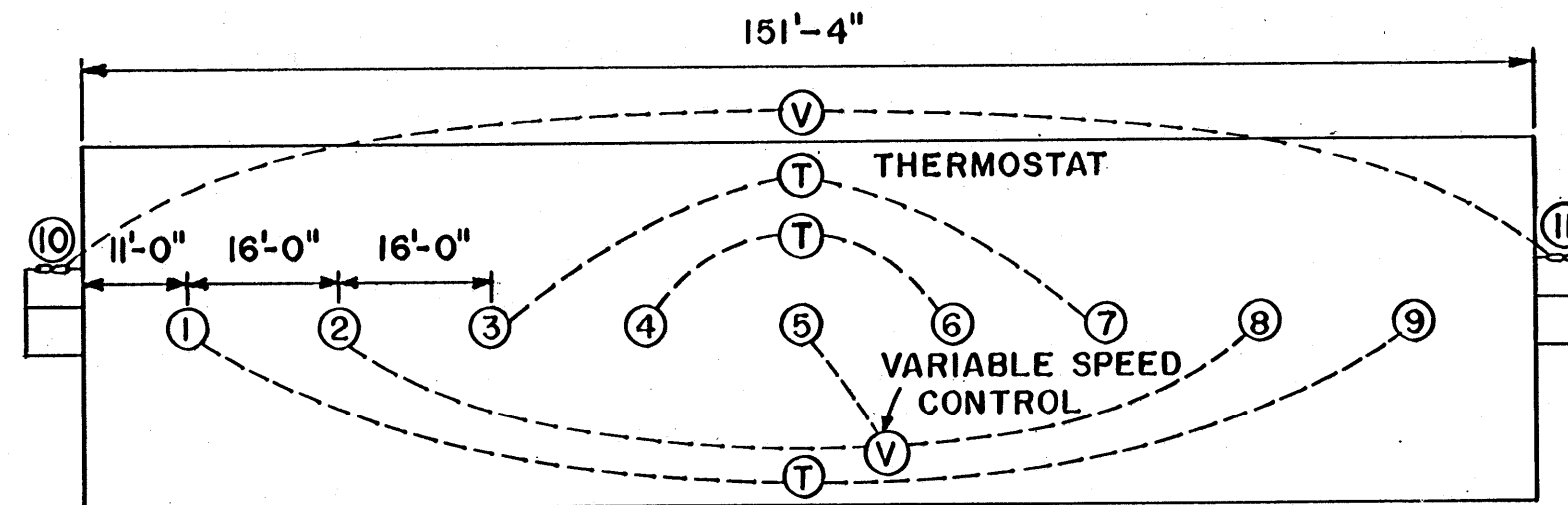
SECTION B-B
SCALE: 3/8" = 1'-0"

COOPERATIVE EXTENSION WORK IN AGRICULTURE AND HOME ECONOMICS STATE OF MISSISSIPPI MISSISSIPPI STATE UNIVERSITY AND UNITED STATES DEPARTMENT OF AGRICULTURE COOPERATING		
SWINE BUILDING FINISHING FLOOR—TOTAL SLATS		
N.C.	'73	6159
		SHEET 2 OF 3

TRUSS NOTES:
 DESIGN LIVE AND DEAD LOAD ON ROOF 25#/FT²
 TRUSSES SPACED 3'-9" O.C.
 LUMBER NO. 1 SOUTHERN PINE OR DOUGLAS FIR
 C=1,200 PSI COMPRESSION PARALLEL TO GRAIN.
 f=1,450 PSI EXTERIOR FIBER IN BENDING
 E=1,600,000 PSI MODULUS OF ELASTICITY
 USE HELICALLY THREADED HARDENED NAILS THRU-OUT



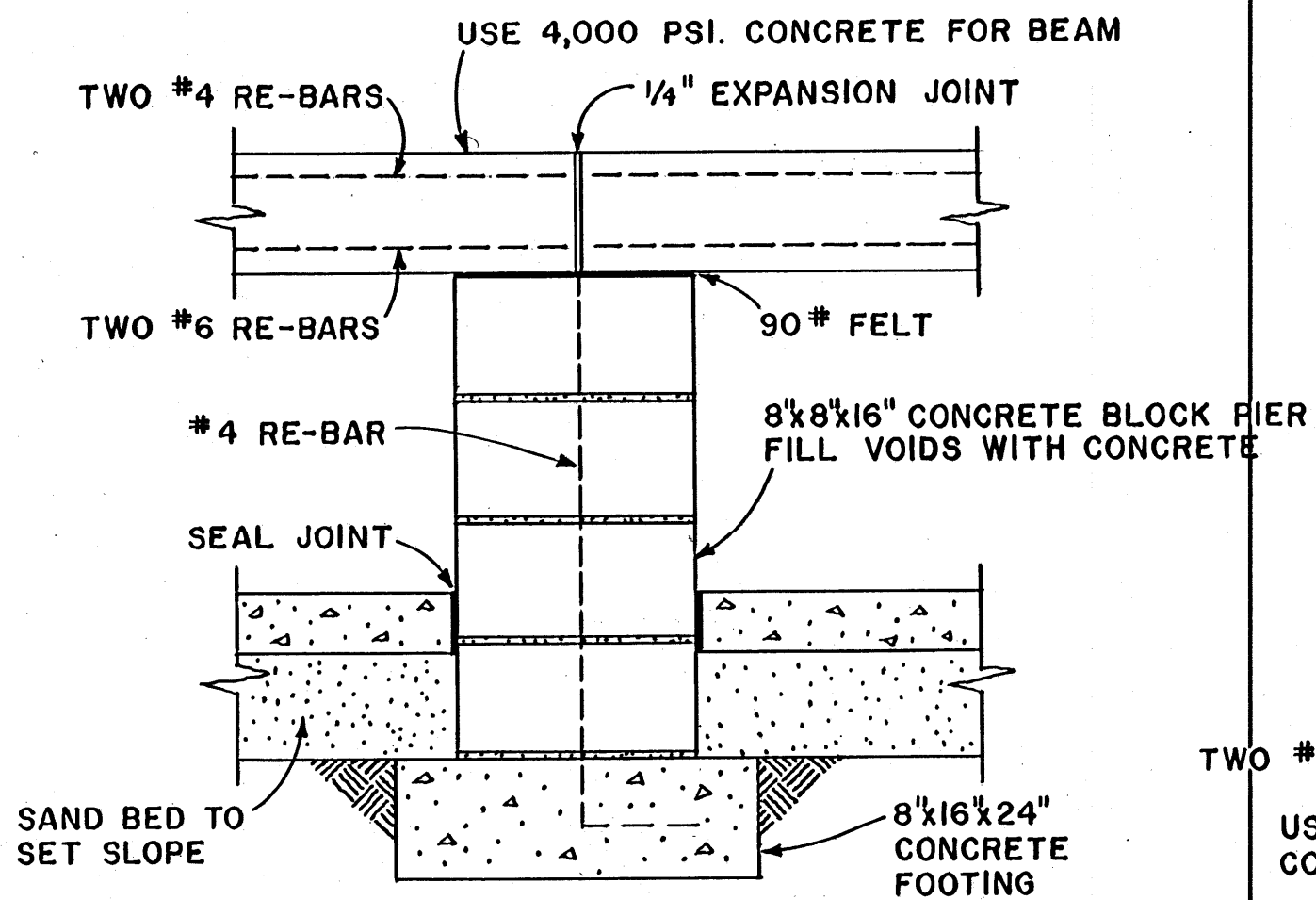
TRUSS DETAIL
 SCALE: 3/4"=1'-0"



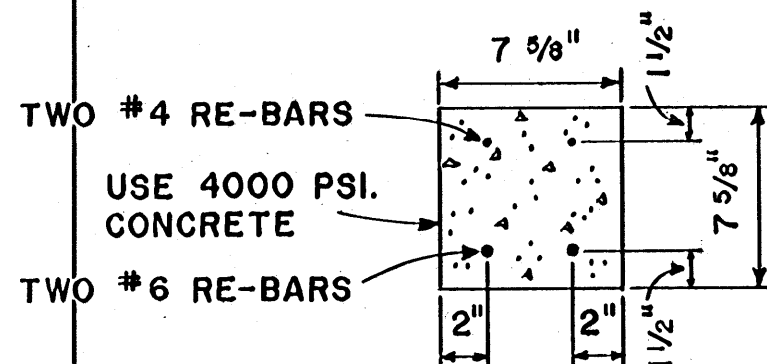
FANS 2,5,8-VARIABLE SPEED-4000 TO 5000 CFM AT 1/8" S.P.
 FANS 1,3,4,6,7,9-5000 CFM AT 1/8" S.P.
 FANS 10,11-VARIABLE SPEED-8500 CFM AT 1/8" S.P.

FAN LAYOUT

NOTE:
 BALANCE THE UNDER SLAT VENTILATION BY RESTRICTING OPENINGS CLOSEST TO THE FANS. SET FOR 500 TO 600 FPM WITH FANS RUNNING AT FULL SPEED



PIER DETAIL-3
 SCALE: 1"=1'-0"



DETAIL-2
 CONCRETE BEAM SECTION
 SCALE: 1 1/2"=1'-0"

COOPERATIVE EXTENSION WORK IN AGRICULTURE AND HOME ECONOMICS			
STATE OF MISSISSIPPI			
MISSISSIPPI STATE UNIVERSITY			
AND UNITED STATES DEPARTMENT OF AGRICULTURE COOPERATING			
SWINE BUILDING			
FINISHING FLOOR-TOTAL SLATS			
N.C.	'73	6159	SHEET 3 OF 3