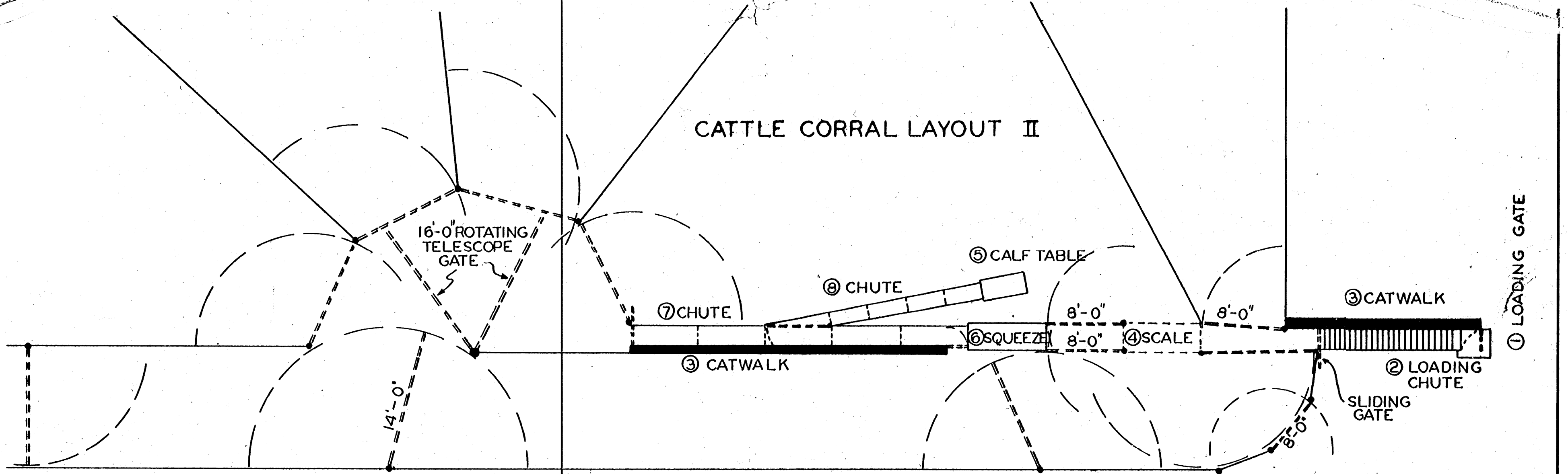
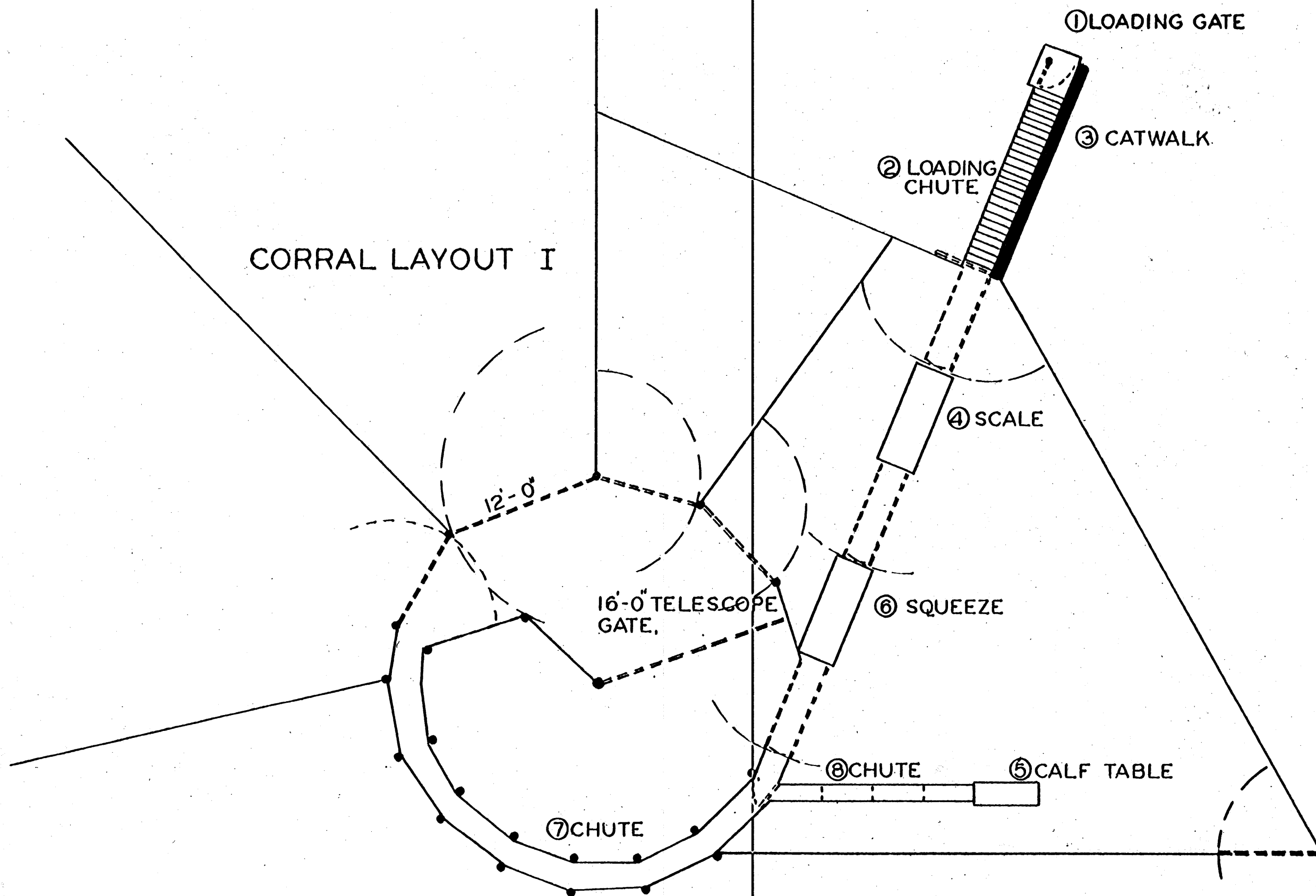


# CATTLE CORRAL LAYOUT II



NOTE: THE PORTABLE SCALE IS OPTIONAL.  
ALL GATES 12'-0" UNLESS OTHERWISE SPECIFIED

# CORRAL LAYOUT I



NOTE: ALL GATES, 8'-0" UNLESS OTHERWISE SPECIFIED

SCALE 1/8" = 1'-0"

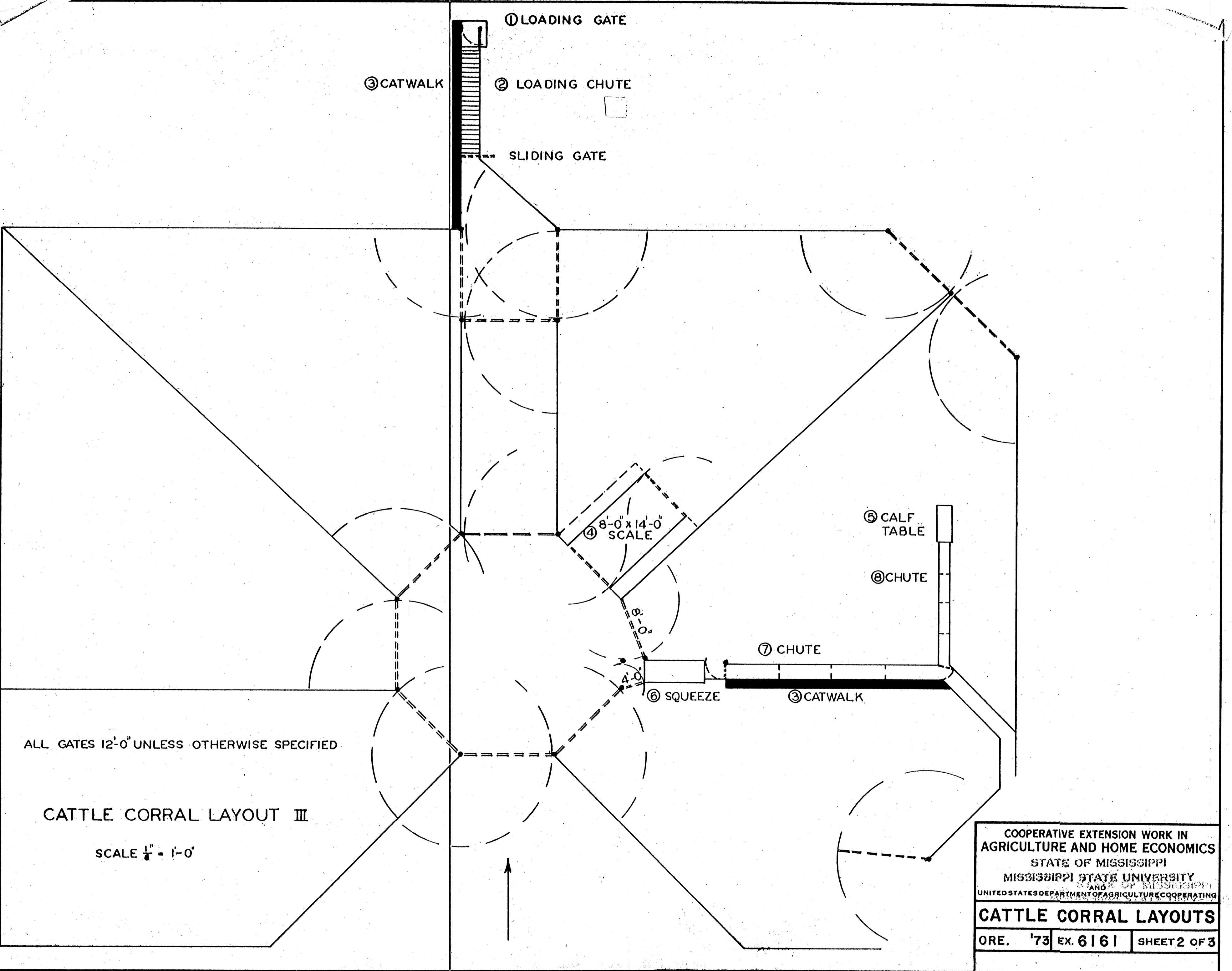
THESE DESIGN SUGGESTIONS WERE PREPARED BY WALT MATSON, BILL FARREL, AND PETE LYGSTRAND IN CONSULTATION WITH MANY INTERESTED EASTERN OREGON RANCHERS, WHO DEVOTED THEIR TIME AND EFFORTS TO MAKE THESE PLANS AVAILABLE.

BASED ON: OREGON STATE UNIV.  
PLAN NO. BP 107

COOPERATIVE EXTENSION WORK IN  
AGRICULTURE AND HOME ECONOMICS  
STATE OF MISSISSIPPI  
MISSISSIPPI STATE UNIVERSITY  
AND  
UNITED STATES DEPARTMENT OF AGRICULTURE COOPERATING

## CATTLE CORRAL LAYOUTS

ORE 173 | EX. 6161 | SHEET 1 OF 3



① LOADING GATE

③ CATWALK

② LOADING CHUTE

SLIDING GATE

④ 8'-0" x 14'-0" SCALE

⑤ CALF TABLE

⑧ CHUTE

⑦ CHUTE

⑥ SQUEEZE

③ CATWALK

ALL GATES 12'-0" UNLESS OTHERWISE SPECIFIED

CATTLE CORRAL LAYOUT III

SCALE 1/8" = 1'-0"

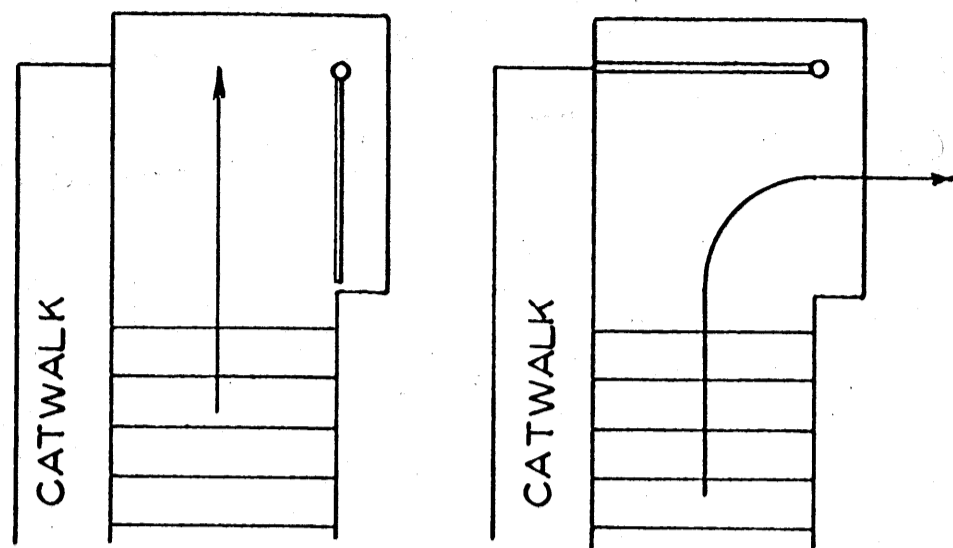
COOPERATIVE EXTENSION WORK IN  
 AGRICULTURE AND HOME ECONOMICS  
 STATE OF MISSISSIPPI  
 MISSISSIPPI STATE UNIVERSITY  
 AND OF MISSISSIPPI  
 UNITED STATES DEPARTMENT OF AGRICULTURE COOPERATING

**CATTLE CORRAL LAYOUTS**

ORE. '73	EX. 6161	SHEET 2 OF 3
----------	----------	--------------

① LOADING GATE

THE LOADING GATE SHOULD BE A TWO WAY GATE, FOR SIDE OR REAR LOADING



③ CATWALK

THE CATWALK SHOULD BE MIN. 24"

④ SCALE

THE SCALE IS OPTIONAL, BUT SHOULD BE CONSIDERED AN IMPORTANT ITEM TO DETERMINE LIVESTOCK GAINS AND LOSSES

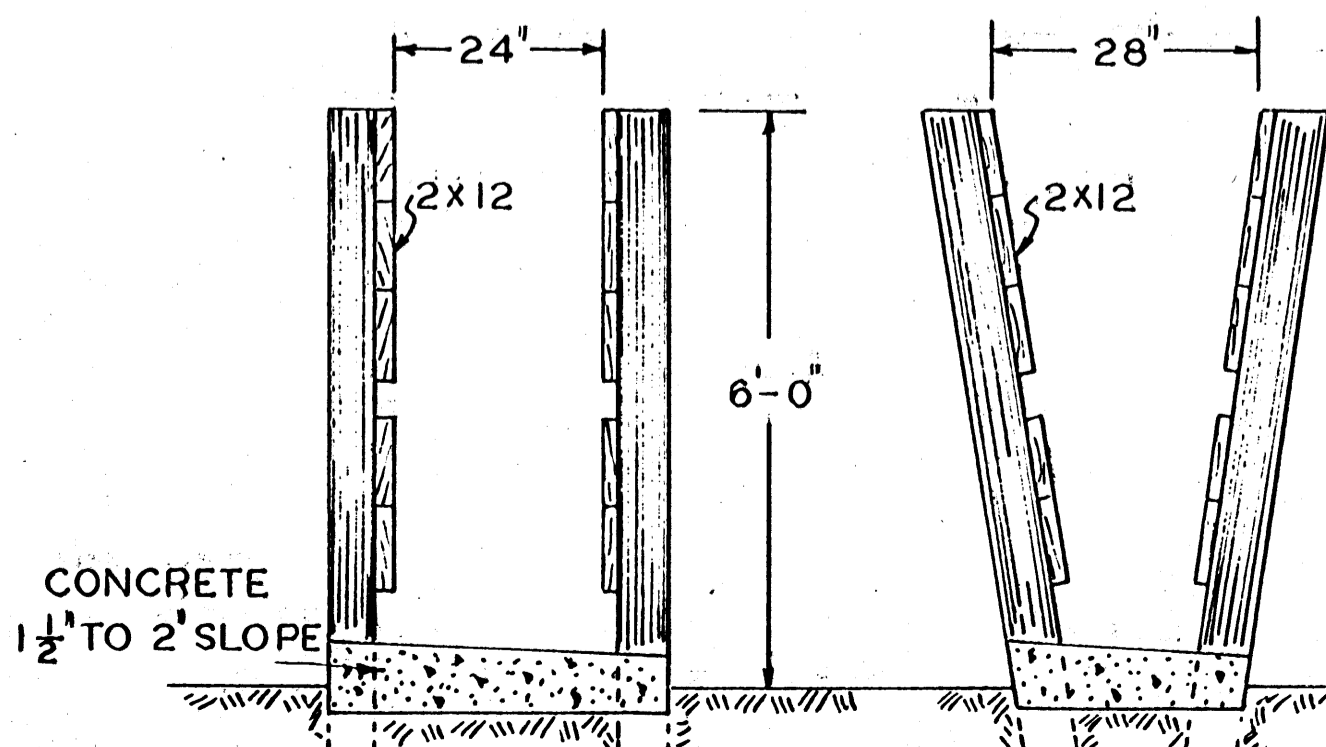
⑤ CALF TABLE

CALF TABLES ARE AVAILABLE FROM COMMERCIAL COMPANIES, PLANS CAN BE OBTAINED FROM LAND GRANT COLLEGES

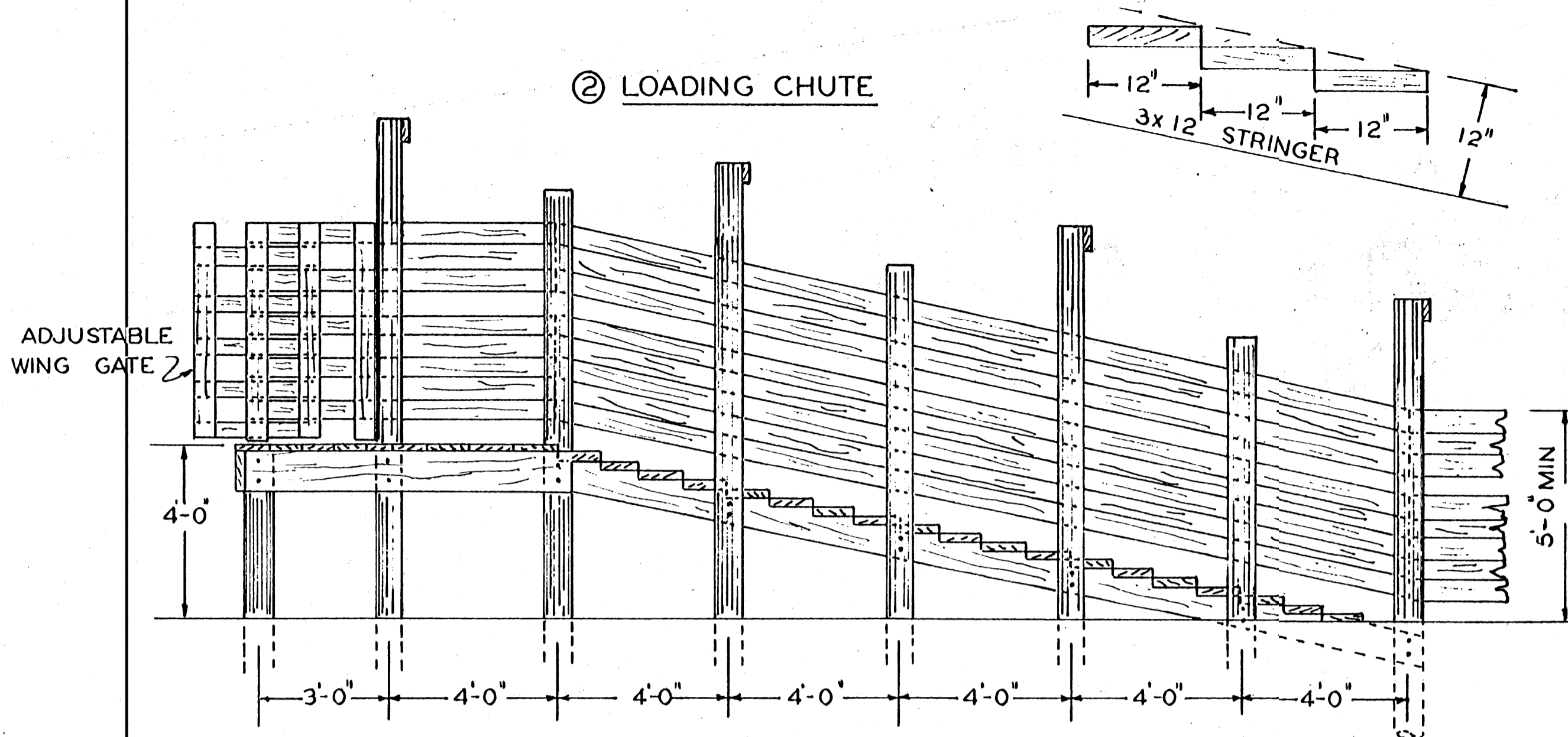
⑥ SQUEEZE

A SQUEEZE SHOULD BE A PART OF EVERY CATTLE CORRAL. SQUEEZES ARE AVAILABLE FROM COMMERCIAL COMPANIES

⑦ CHUTE



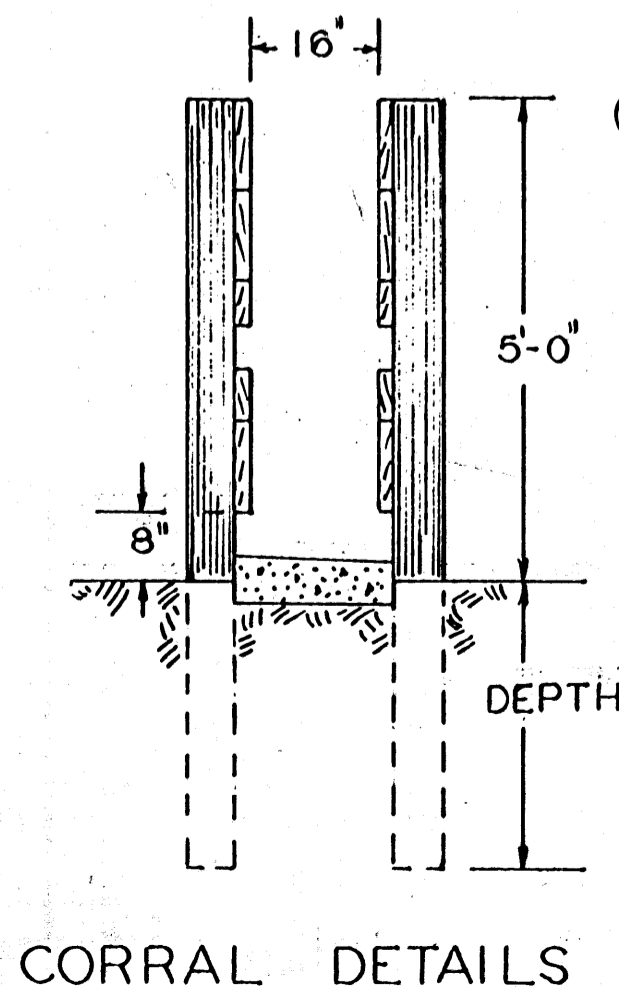
② LOADING CHUTE



PROPER CHUTE DESIGN IS VERY IMPORTANT, A CHUTE MUST BE STURDY AND OF THE PROPER WIDTH AND HEIGHT TO ALLOW HANDLING THE CATTLE WITHOUT PROBLEMS OF CATTLE TURNING AROUND OR JUMPING OUT OF THE CHUTE. MOST CHUTES TODAY ARE TOO WIDE, A GOOD WIDTH FOR CHUTES IS 24 INCHES, EXTRA LARGE CATTLE MAY NEED A SOMEWHAT WIDER CHUTE. SUPPORT POSTS FOR CHUTES SHOULD HAVE A MIN. 6 INCH DIAMETER. THEY SHOULD BE SET IN THE GROUND TO A MIN. DEPTH OF 3 FEET. WHERE ROCK IN SOIL RESTRICTS POST DEPTH, THEY SHOULD BE PLACED IN CONCRETE 6-8 INCHES THICK. OVERHEAD BRACES MAY ALSO BE NEEDED TO KEEP THE CORRAL TIGHT. ECONOMICAL COMMERCIAL CHUTES ARE AVAILABLE WITH ADJUSTABLE WIDTHS TO HANDLE VARIOUS SIZES OF CATTLE CONSULT YOUR LOCAL DEALER.

⑧ CALF CHUTE

THIS CHUTE IS FOR CALVES UP TO 400 LBS. IT SHOULD BE 5'-0" HEIGHT, AND APPROX. 16" WIDE. THE WALLS SHOULD BE SOLID BEGINNING 8" FROM THE GROUND. THE SLOT NEAR THE FLOOR IS DESIGNED TO PROVIDE EASIER CLEANING.



COOPERATIVE EXTENSION WORK IN  
AGRICULTURE AND HOME ECONOMICS  
STATE OF MISSISSIPPI  
MISSISSIPPI STATE UNIVERSITY  
AND  
UNITED STATES DEPARTMENT OF AGRICULTURE COOPERATING

**CATTLE CORRAL LAYOUTS**

ORE. '73 EX. 6161 SHEET 3 OF 3