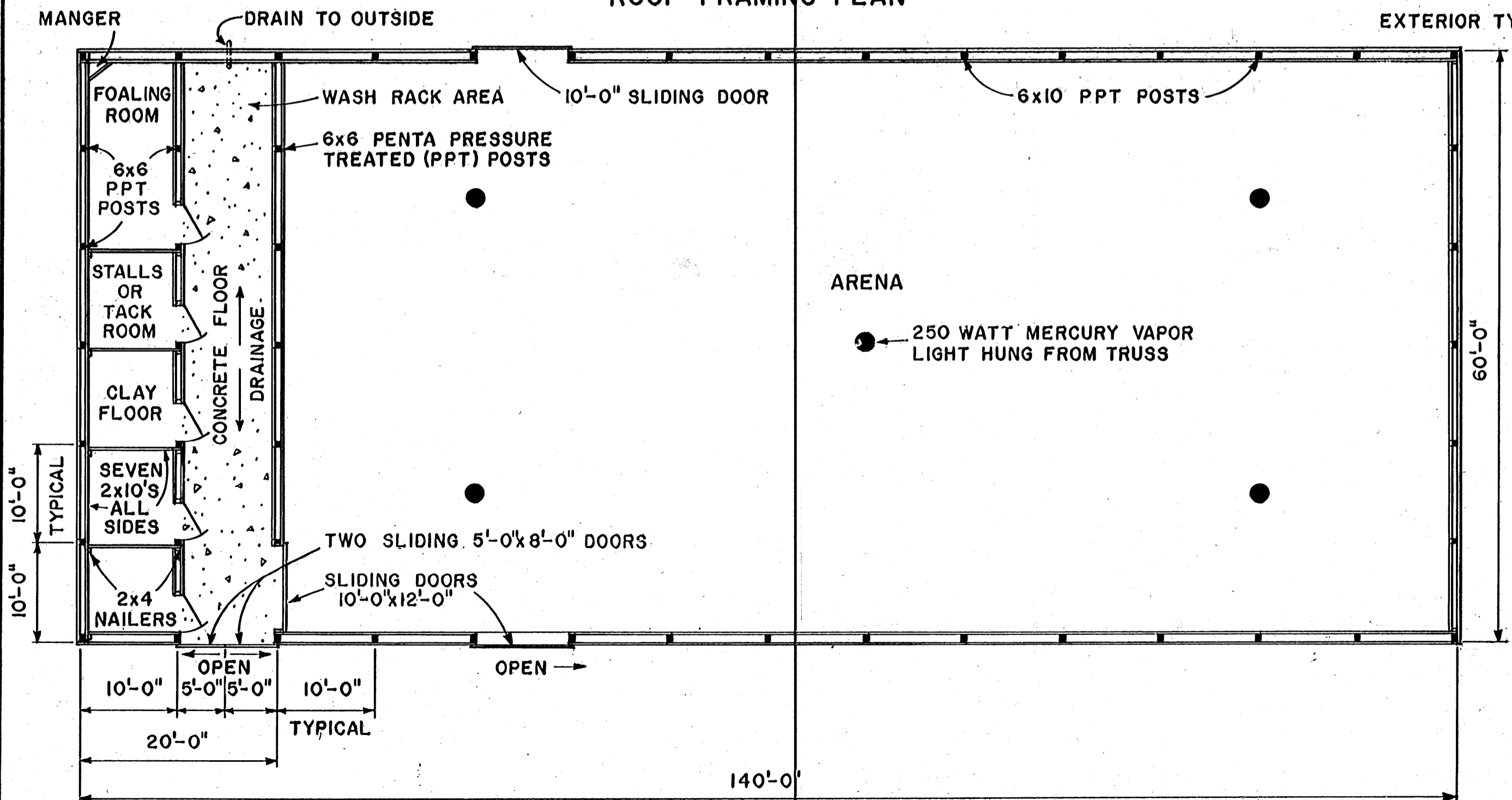
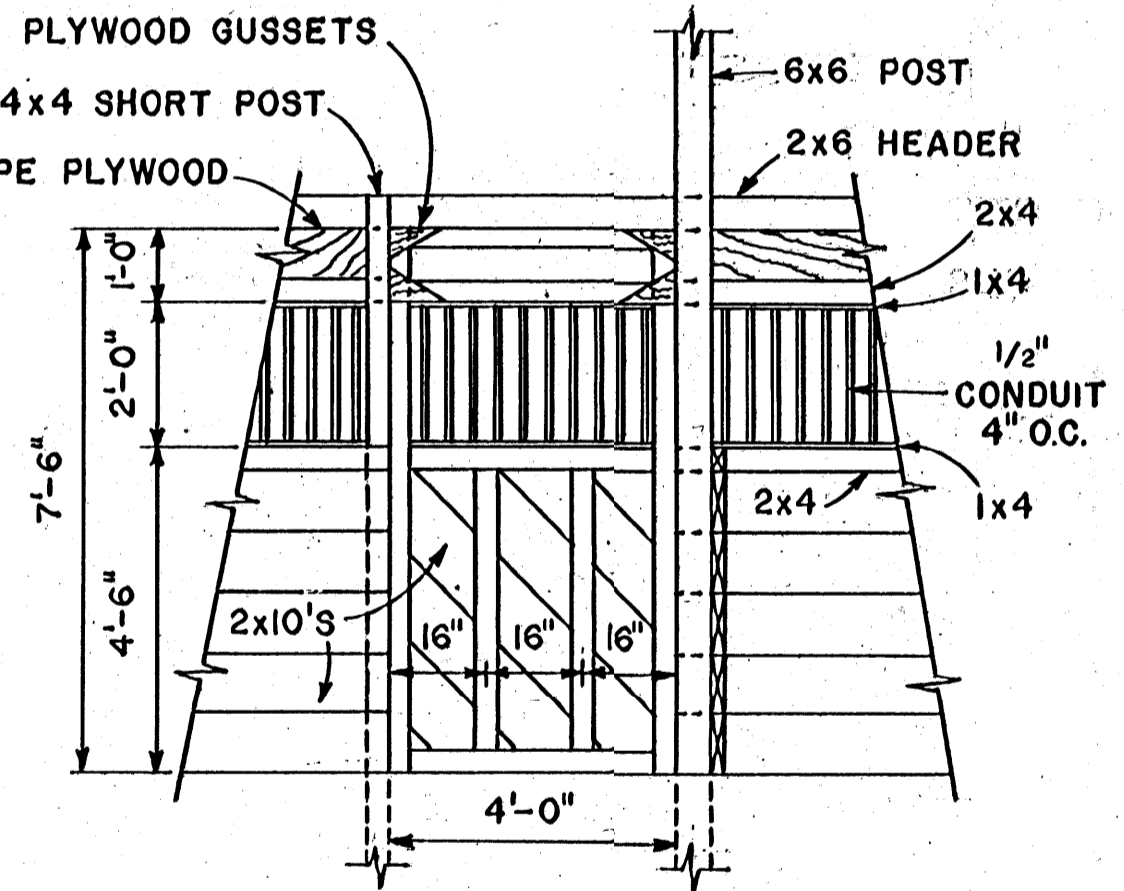


ROOF FRAMING PLAN



FLOOR PLAN



**DOOR FRAMED WITH 2x4'S
STALL DOOR DETAIL**

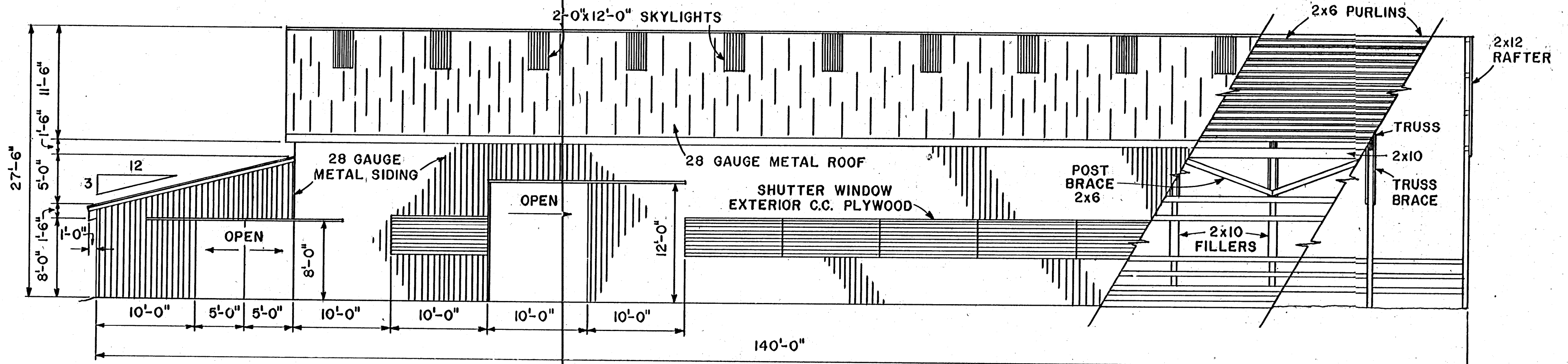
SCALE: 3/8"=1'-0"
SCALE: 3/32"=1'-0" UNLESS OTHERWISE NOTED

COOPERATIVE EXTENSION WORK IN AGRICULTURE AND HOME ECONOMICS
STATE OF MISSISSIPPI
MISSISSIPPI STATE UNIVERSITY
AND
UNITED STATES DEPARTMENT OF AGRICULTURE COOPERATING

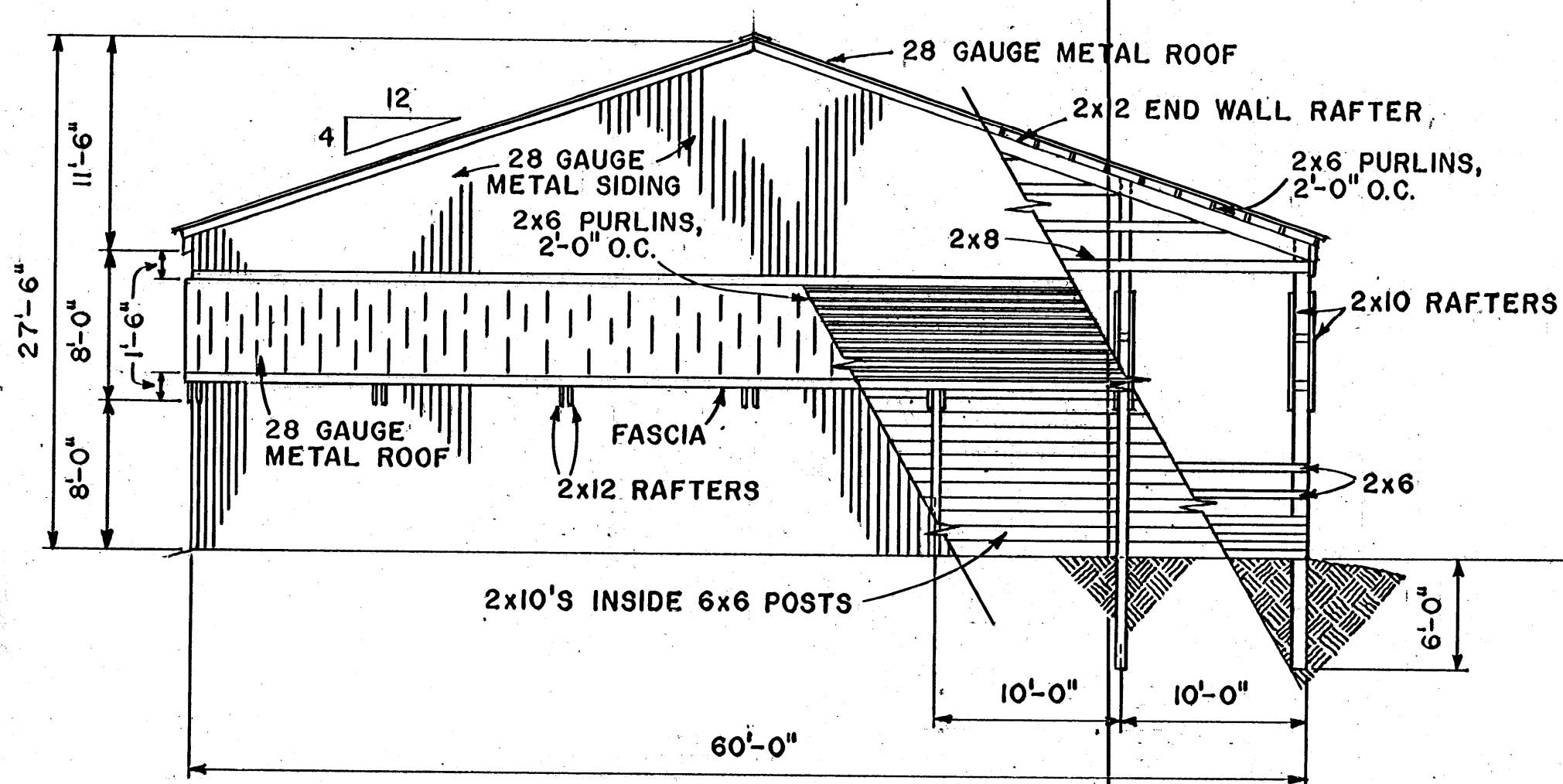
HORSE BARN & ARENA

ID. '73 6171 SHEET 1 OF 3

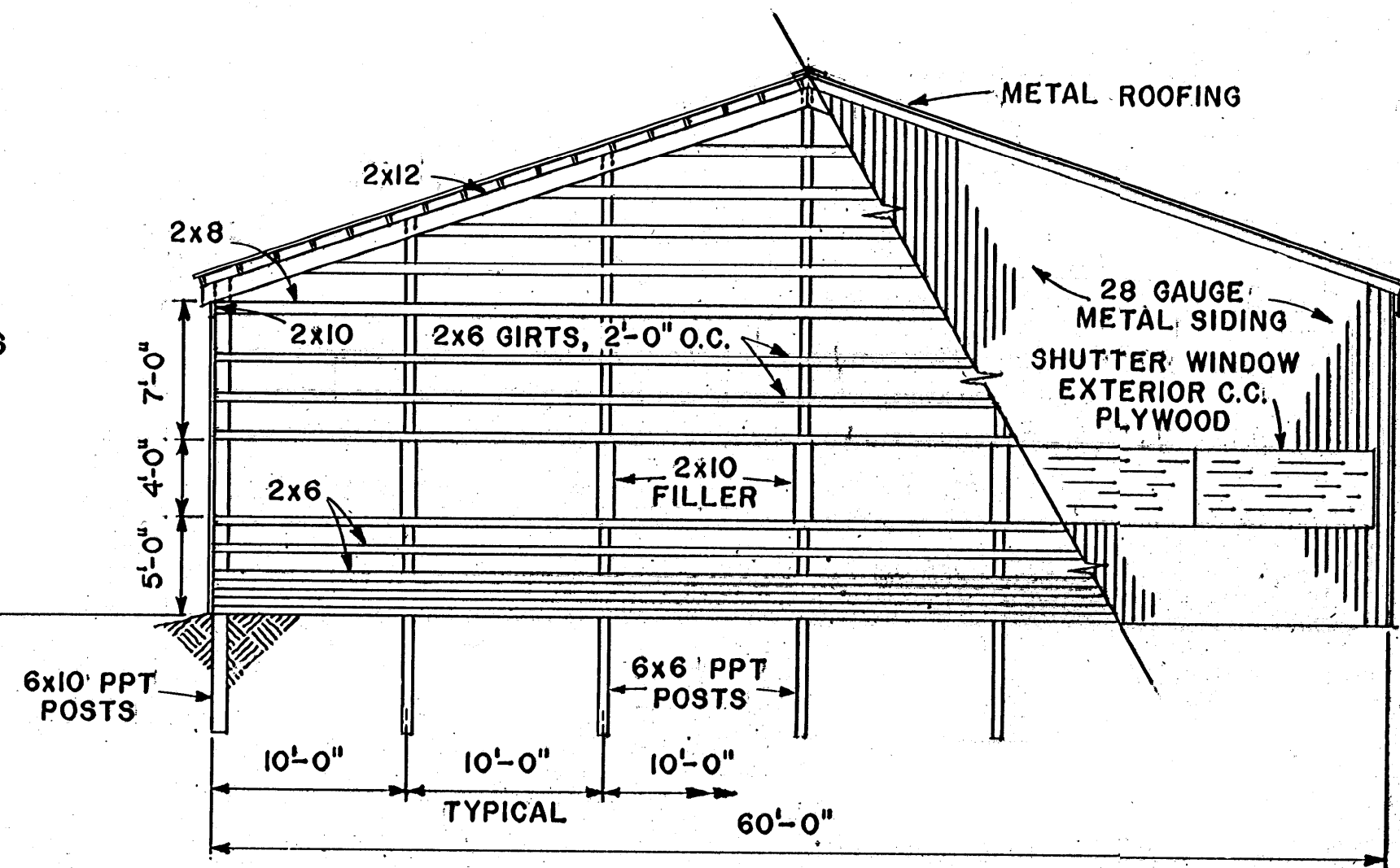
BASED ON: UNIV. OF IDAHO PLAN AE-73-01



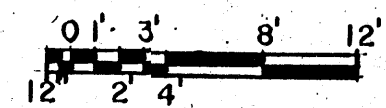
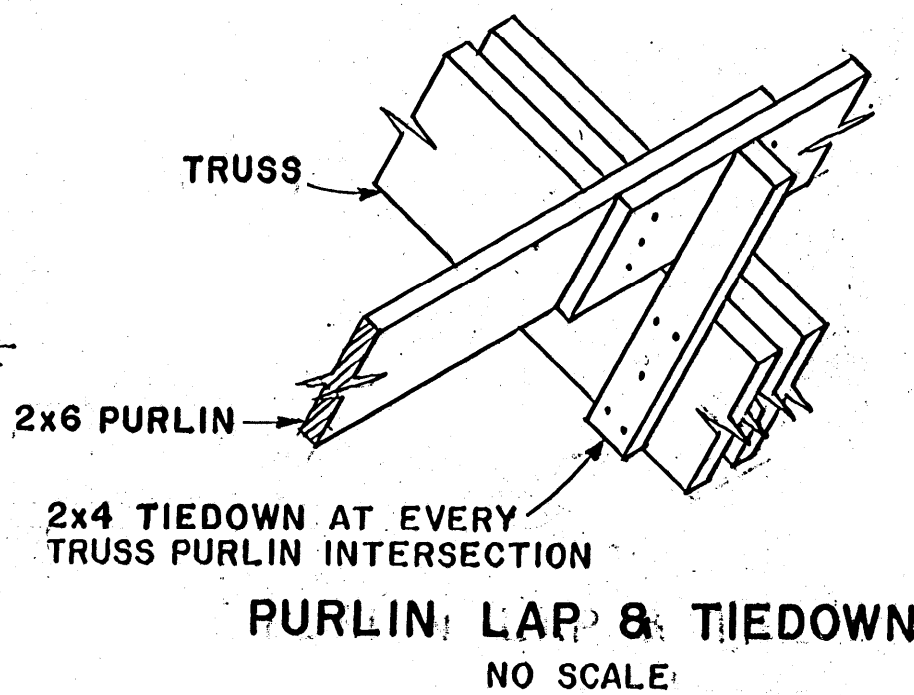
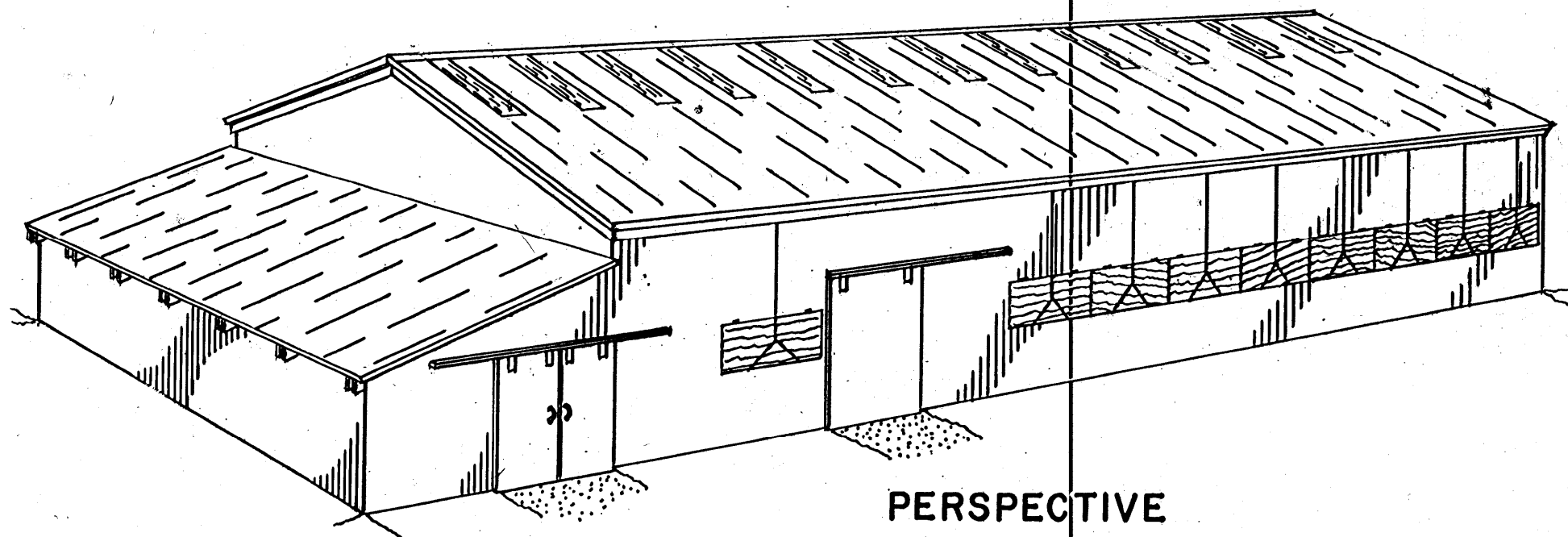
ELEVATION



ELEVATION



ELEVATION

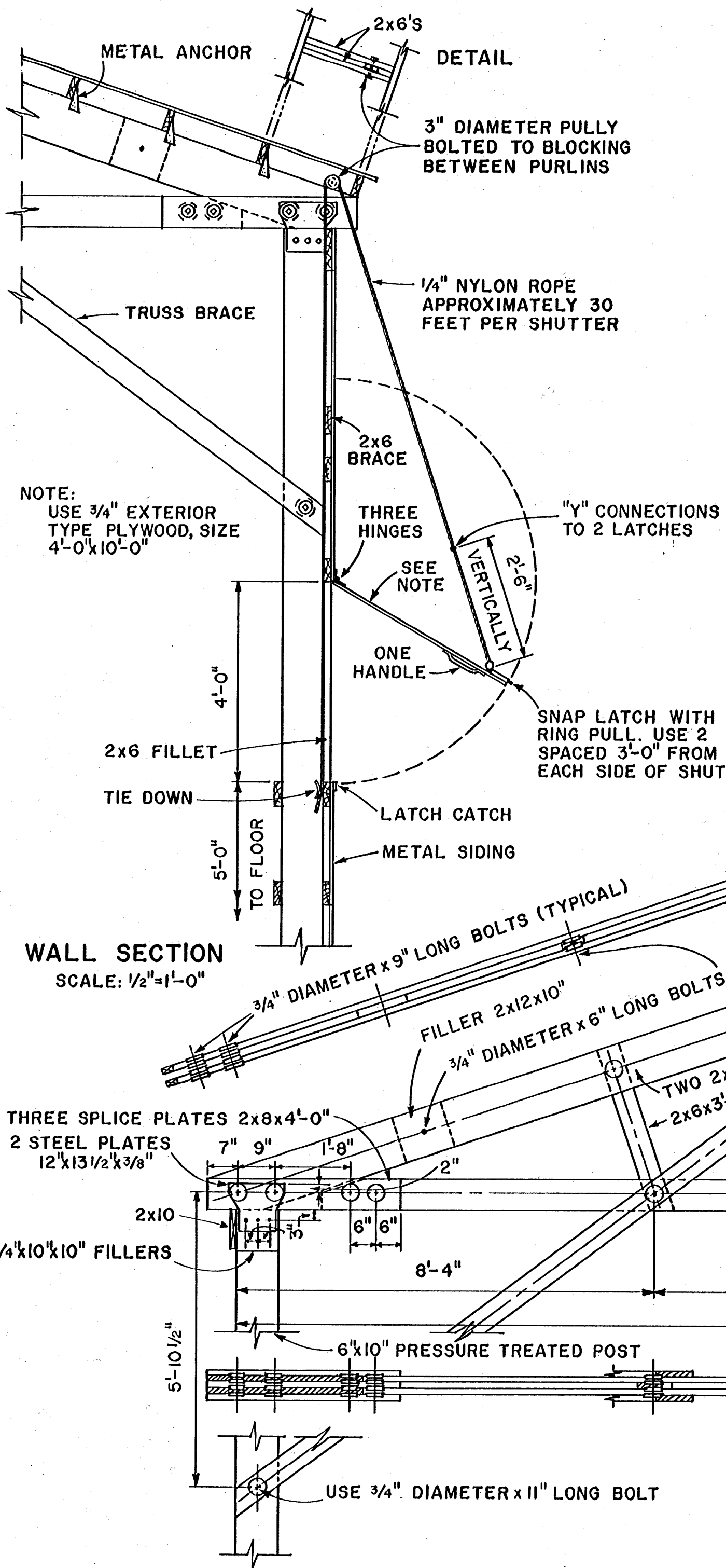


SCALE: 1/8"=1'-0" UNLESS OTHERWISE NOTED

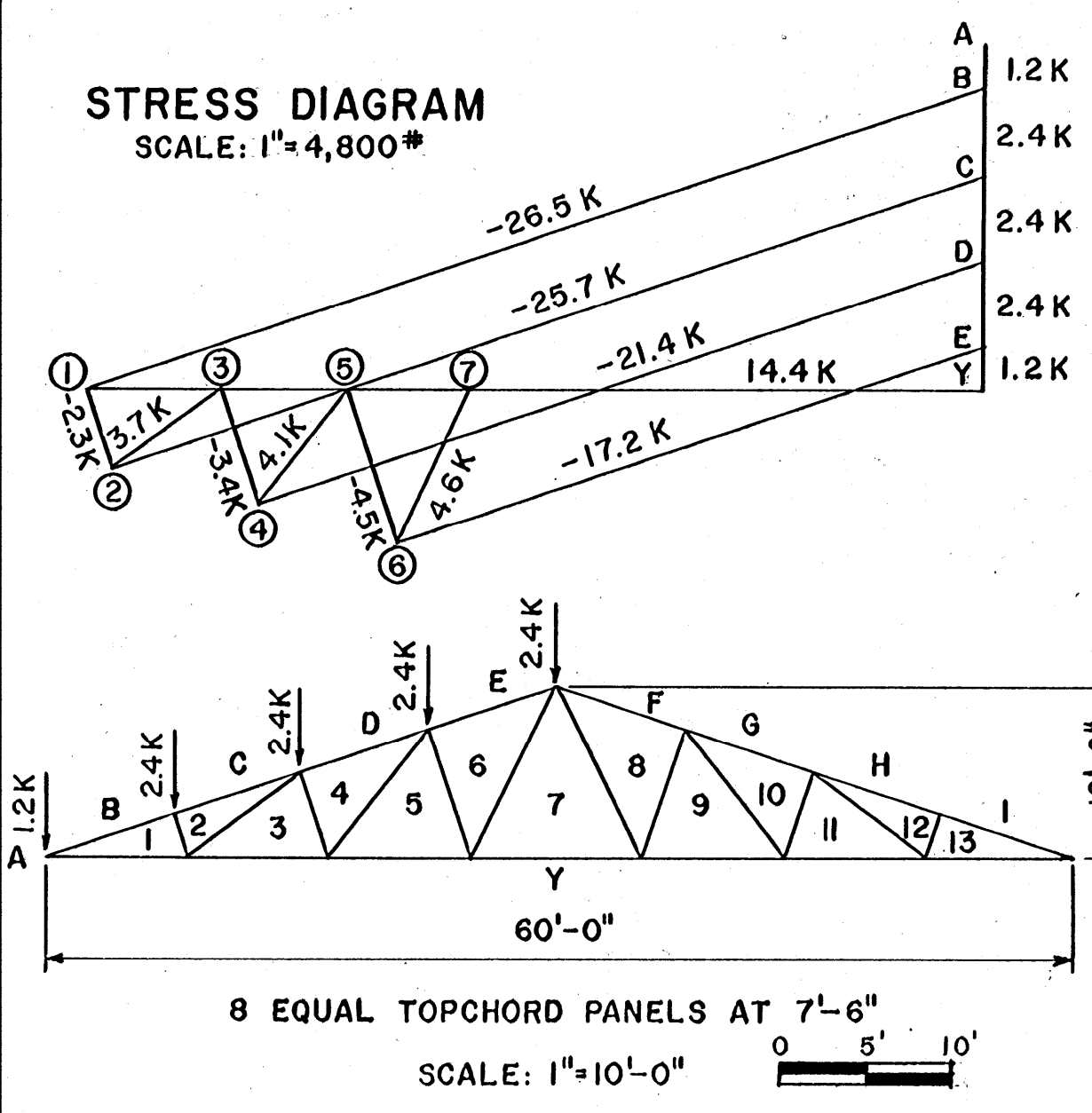
COOPERATIVE EXTENSION WORK IN AGRICULTURE AND HOME ECONOMICS
STATE OF MISSISSIPPI
MISSISSIPPI STATE UNIVERSITY
AND
UNITED STATES DEPARTMENT OF AGRICULTURE COOPERATING

HORSE BARN & ARENA

ID. '73 6171 SHEET 2 OF 3

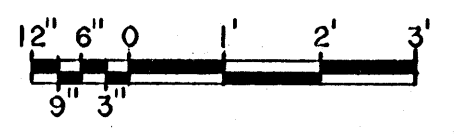


STRESS DIAGRAM
SCALE: 1" = 4,800#



- NOTES:**
- TOTAL LOAD, LIVE PLUS DEAD = 32 POUNDS PER SQUARE FOOT.
 - TRUSS SPACING 10'-0" O.C.
 - THE PROPER CAMBER MAY BE INTRODUCED BY RAISING THE LOWER CHORD 1/2" AT THE CENTER DURING FABRICATION.
 - LUMBER SHALL BE A STRUCTURAL GRADE WITH MINIMUM ALLOWABLE WORKING STRESSES IN POUNDS PER SQUARE INCH AS FOLLOWS:
800 PSI COMPRESSION PARALLEL TO THE GRAIN
1,200 PSI EXTREME FIBER IN BENDING
1,600,000 PSI MODULUS OF ELASTICITY.
 - CONNECTORS:
4" DIAMETER SPLIT RINGS
3/4" DIAMETER x 9 1/2" LONG BOLTS & 3" WASHERS UNLESS OTHERWISE SPECIFIED.

BELGIAN TRUSS
SCALE: 1/2" = 1'-0"



COOPERATIVE EXTENSION WORK IN
AGRICULTURE AND HOME ECONOMICS
STATE OF MISSISSIPPI
MISSISSIPPI STATE UNIVERSITY
AND
UNITED STATES DEPARTMENT OF AGRICULTURE COOPERATING

HORSE BARN & ARENA