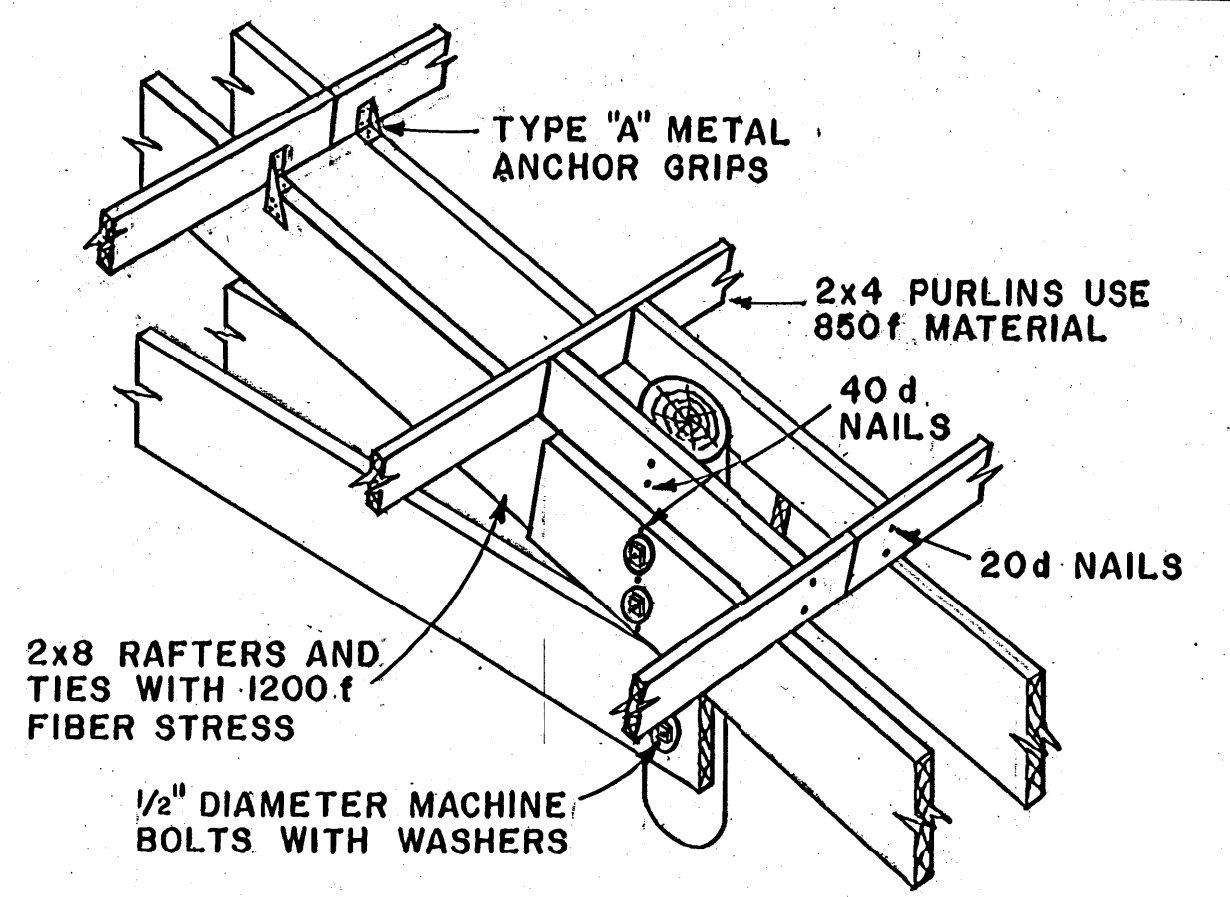
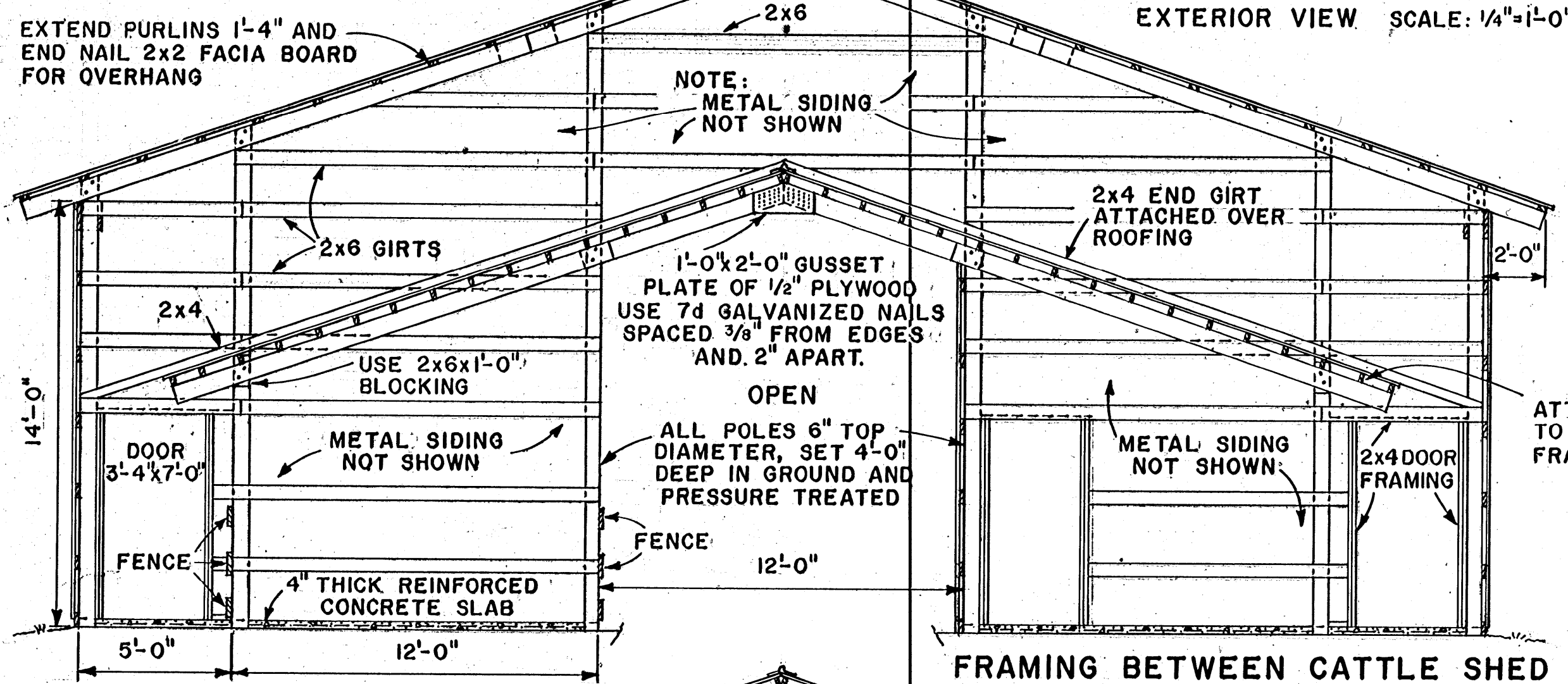


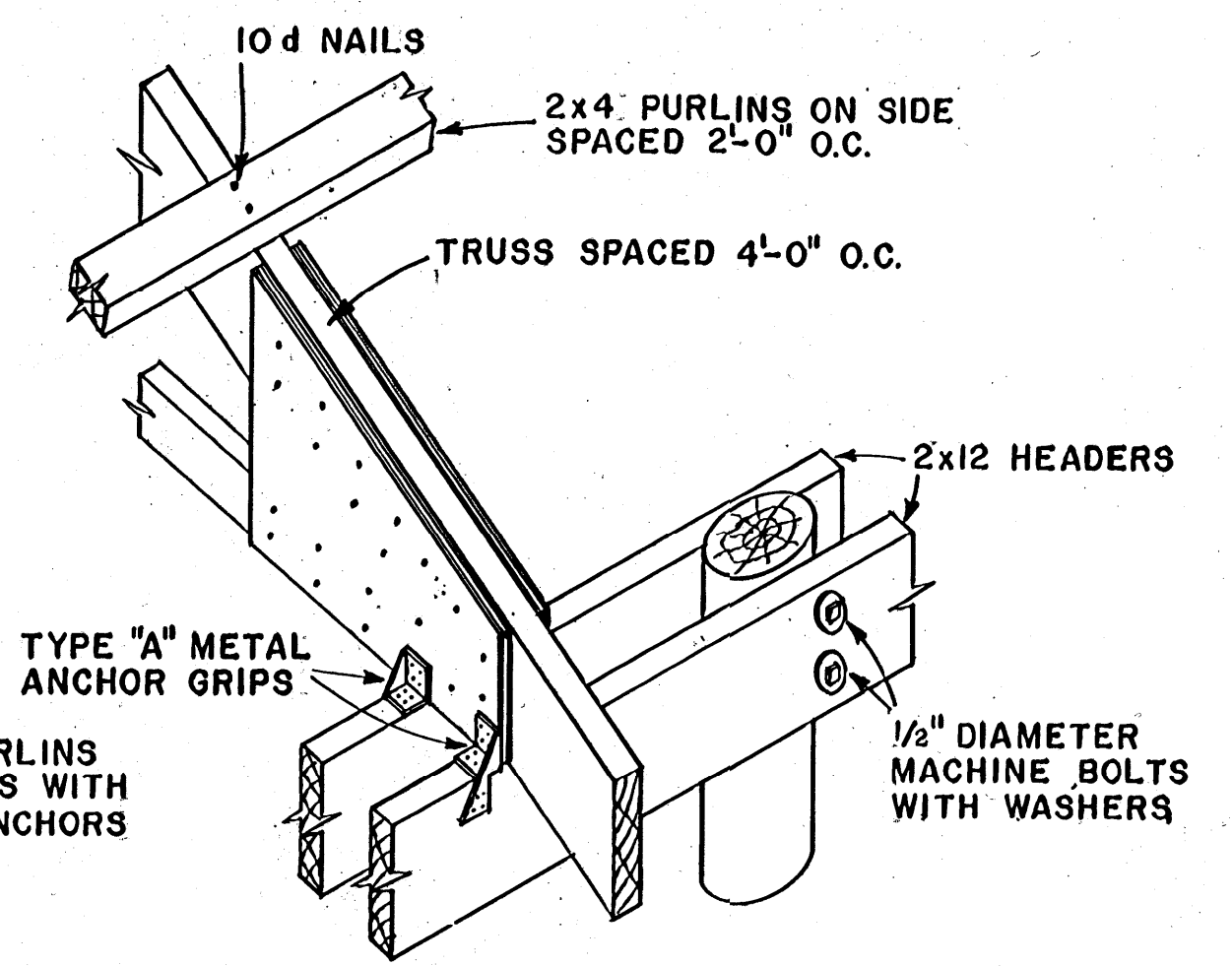
END FRAMING-AUCTION BARN
EXTERIOR VIEW SCALE: 1/4"=1'-0"



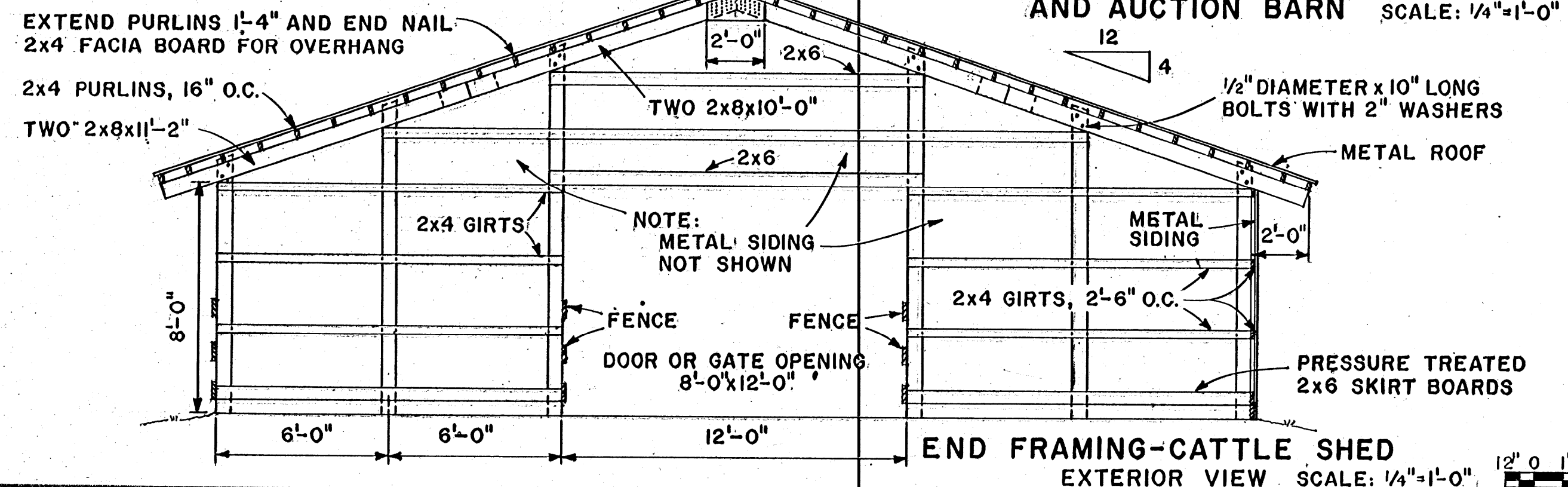
PURLIN TIE AT RAFTER AND POLE
PERSPECTIVE



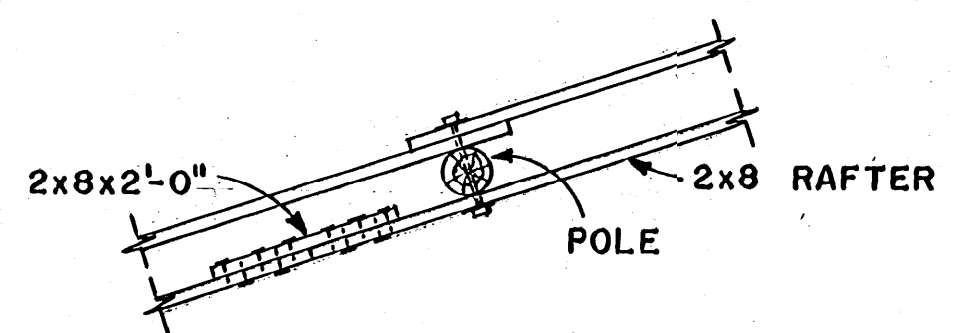
FRAMING BETWEEN CATTLE SHED AND AUCTION BARN
SCALE: 1/4"=1'-0"



TRUSS ATTACHMENT TO HEADER
ISOMETRIC



END FRAMING-CATTLE SHED
EXTERIOR VIEW SCALE: 1/4"=1'-0"

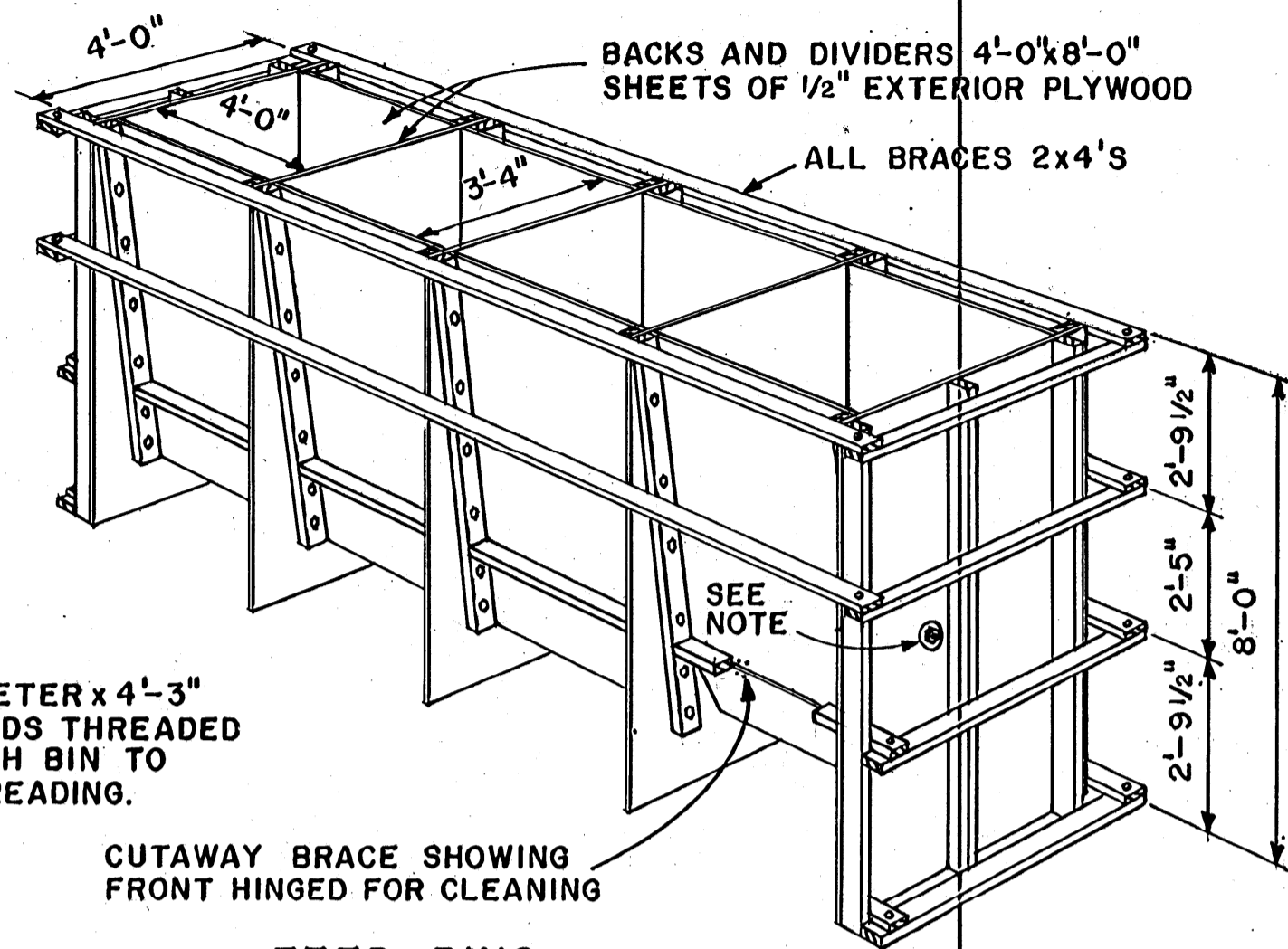


SPLICE DETAIL
SCALE: 1/2"=1'-0"

COOPERATIVE EXTENSION WORK IN
AGRICULTURE AND HOME ECONOMICS
STATE OF MISSISSIPPI
MISSISSIPPI STATE UNIVERSITY
AND
UNITED STATES DEPARTMENT OF AGRICULTURE COOPERATING

CATTLE SHED AND AUCTION BARN

WYO.	'73	6172	SHEET 2 OF 3
------	-----	------	--------------

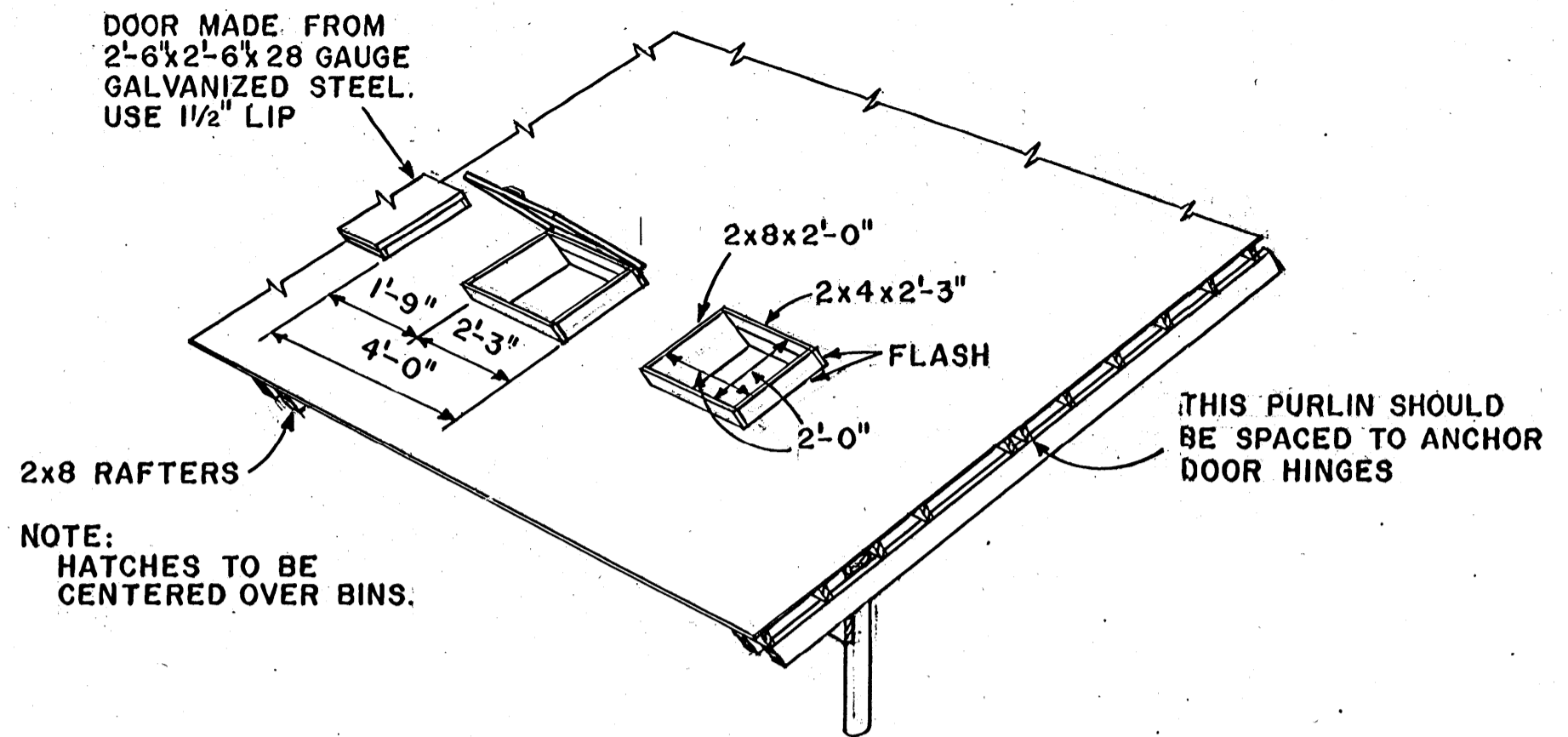


NOTE:
USE 1/2" DIAMETER x 4'-3"
ROD WITH ENDS THREADED
THROUGH EACH BIN TO
PREVENT SPREADING.

CUTAWAY BRACE SHOWING
FRONT HINGED FOR CLEANING

**FEED BINS
PERSPECTIVE**

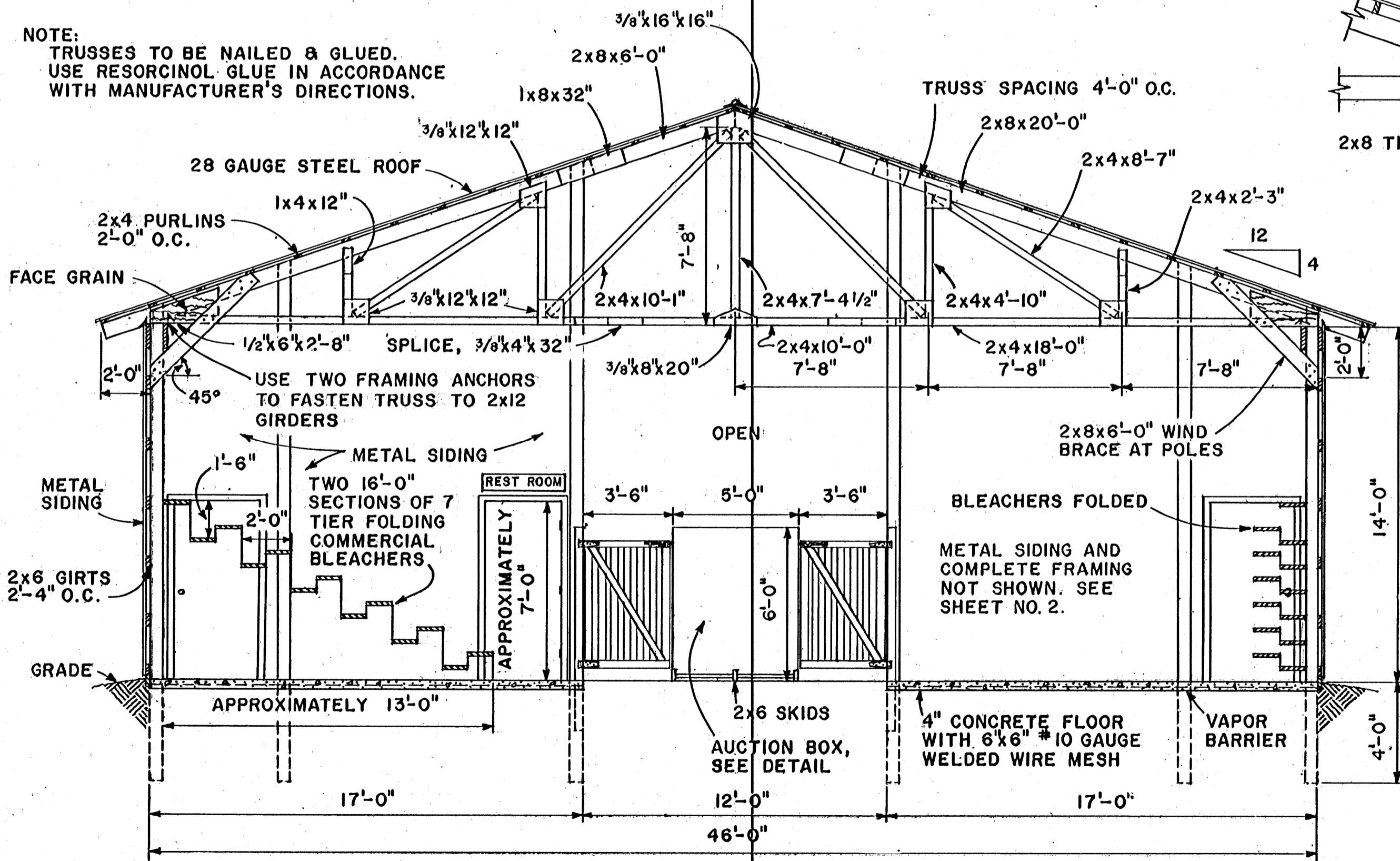
DOOR MADE FROM
2'-6"x2'-6"x 28 GAUGE
GALVANIZED STEEL.
USE 1/2" LIP



NOTE:
HATCHES TO BE
CENTERED OVER BINS.

**ROOF HATCHES FOR FILLING BINS
PERSPECTIVE**

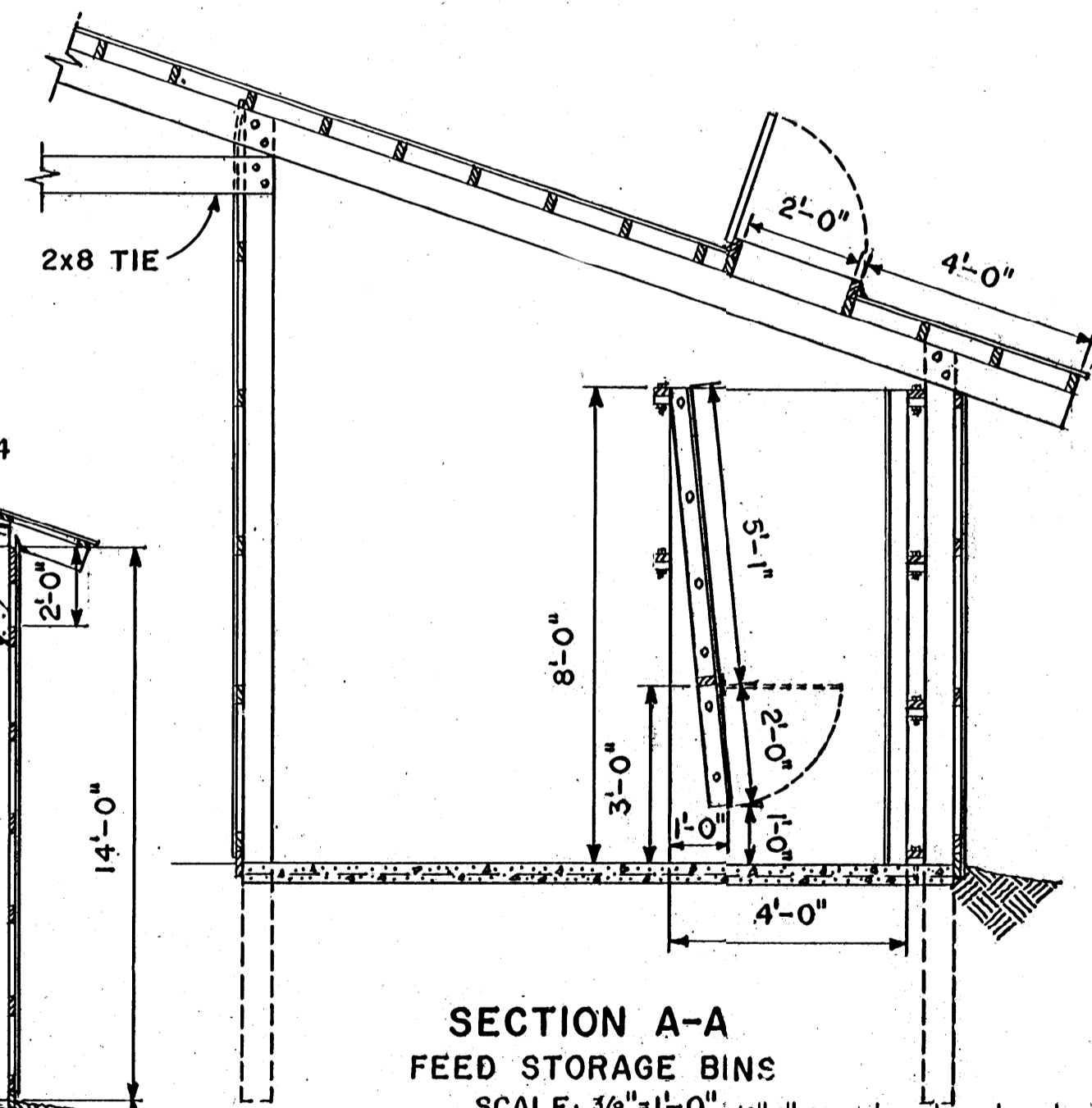
NOTE:
TRUSSES TO BE NAILED & GLUED.
USE RESORCINOL GLUE IN ACCORDANCE
WITH MANUFACTURER'S DIRECTIONS.



NOTE:
USE ARTIFICIAL LIGHTING OR
TRANSLUCENT FIBERGLASS
ROOF PANELS.

ELEVATION "A"

SCALE: 1/4" = 1'-0"
12 0 1 2 3 4 5 6



**SECTION A-A
FEED STORAGE BINS**

SCALE: 3/8" = 1'-0"

COOPERATIVE EXTENSION WORK IN
AGRICULTURE AND HOME ECONOMICS
STATE OF MISSISSIPPI
MISSISSIPPI STATE UNIVERSITY
AND
UNITED STATES DEPARTMENT OF AGRICULTURE COOPERATING

**CATTLE SHED AND
AUCTION BARN**

WYO. '73 6172 SHEET 3 OF 3