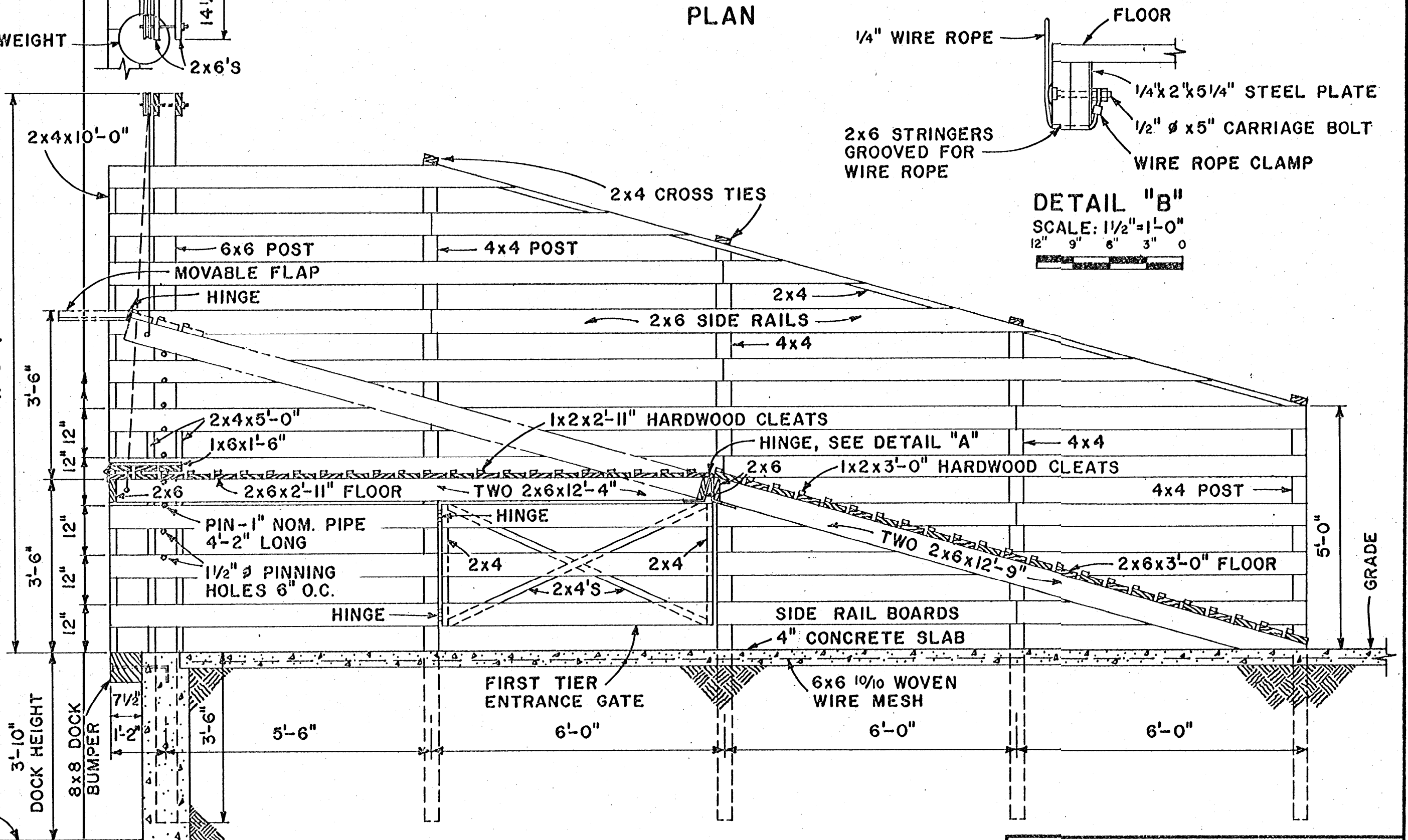
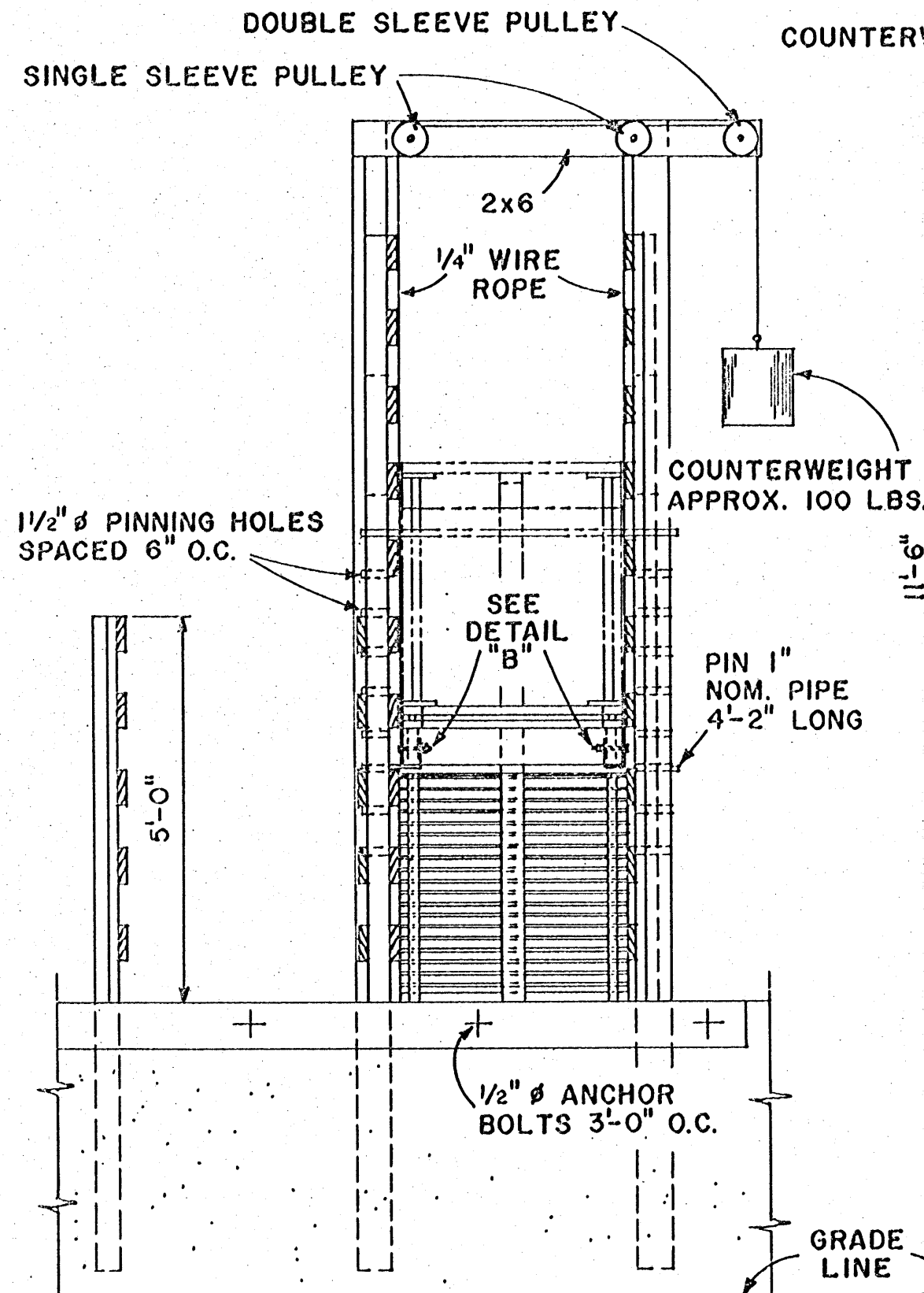
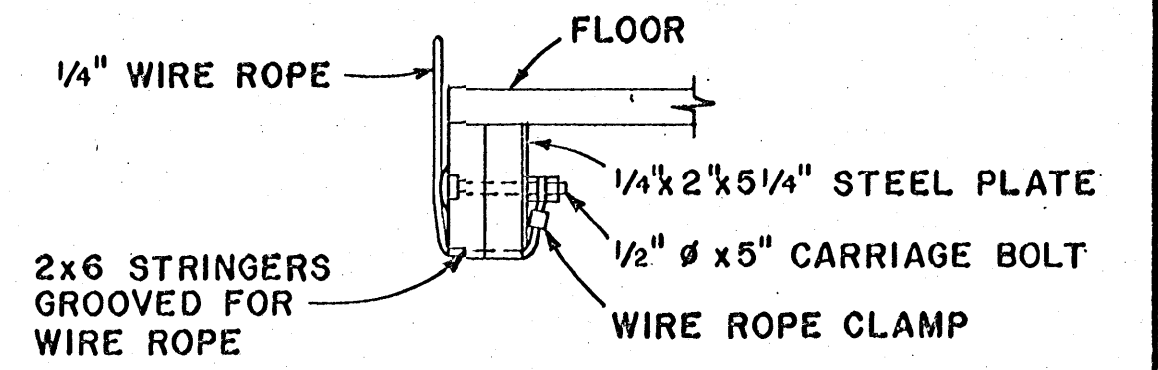


DETAIL "A"
 SCALE: 3/4"=1'-0"
 12" 9" 6" 3" 0"



NOTES:
 ALL WOOD SHOULD BE PRESSURE TREATED.
 SECOND TIER BOARDWALK MAY BE LIFTED TO PROVIDE MORE CLEARANCE AT FIRST TIER ENTRANCE. CLEATED MANWALK ON SIDE OF CHUTE MAY BE ADDED.

NOTE:
 CONSULT LOCAL BUILDING CODE AUTHORITIES BEFORE STARTING CONSTRUCTION.

SCALE: 1/2"=1'-0" UNLESS OTHERWISE NOTED.
 12" 6" 0" 1" 2"

COOPERATIVE EXTENSION WORK IN
 AGRICULTURE AND HOME ECONOMICS
 STATE OF MISSISSIPPI
 MISSISSIPPI STATE UNIVERSITY
 AND
 UNITED STATES DEPARTMENT OF AGRICULTURE COOPERATING

3 TIER LOADING CHUTE

W. VA. '74 6183 SHEET 1 OF 1