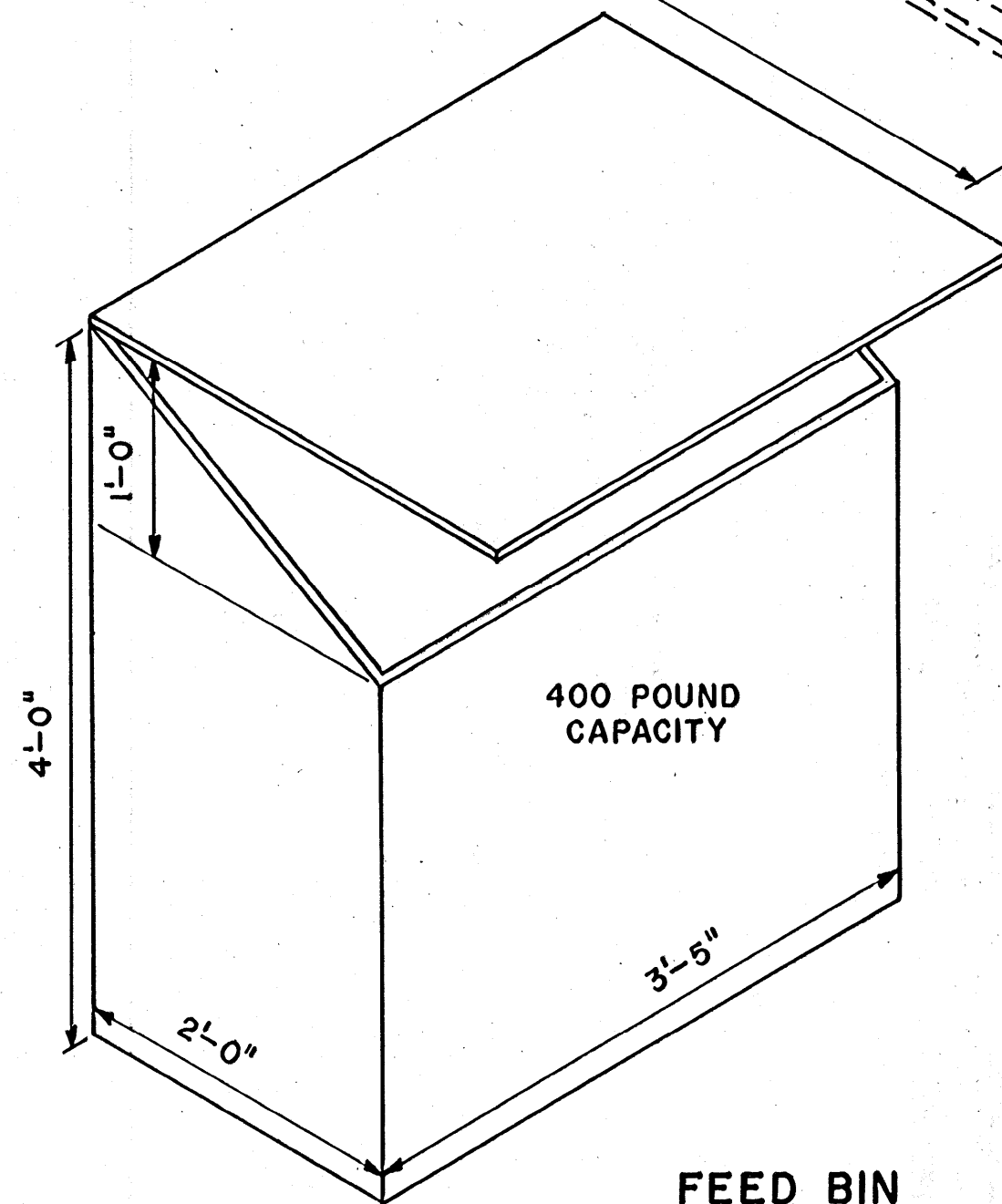
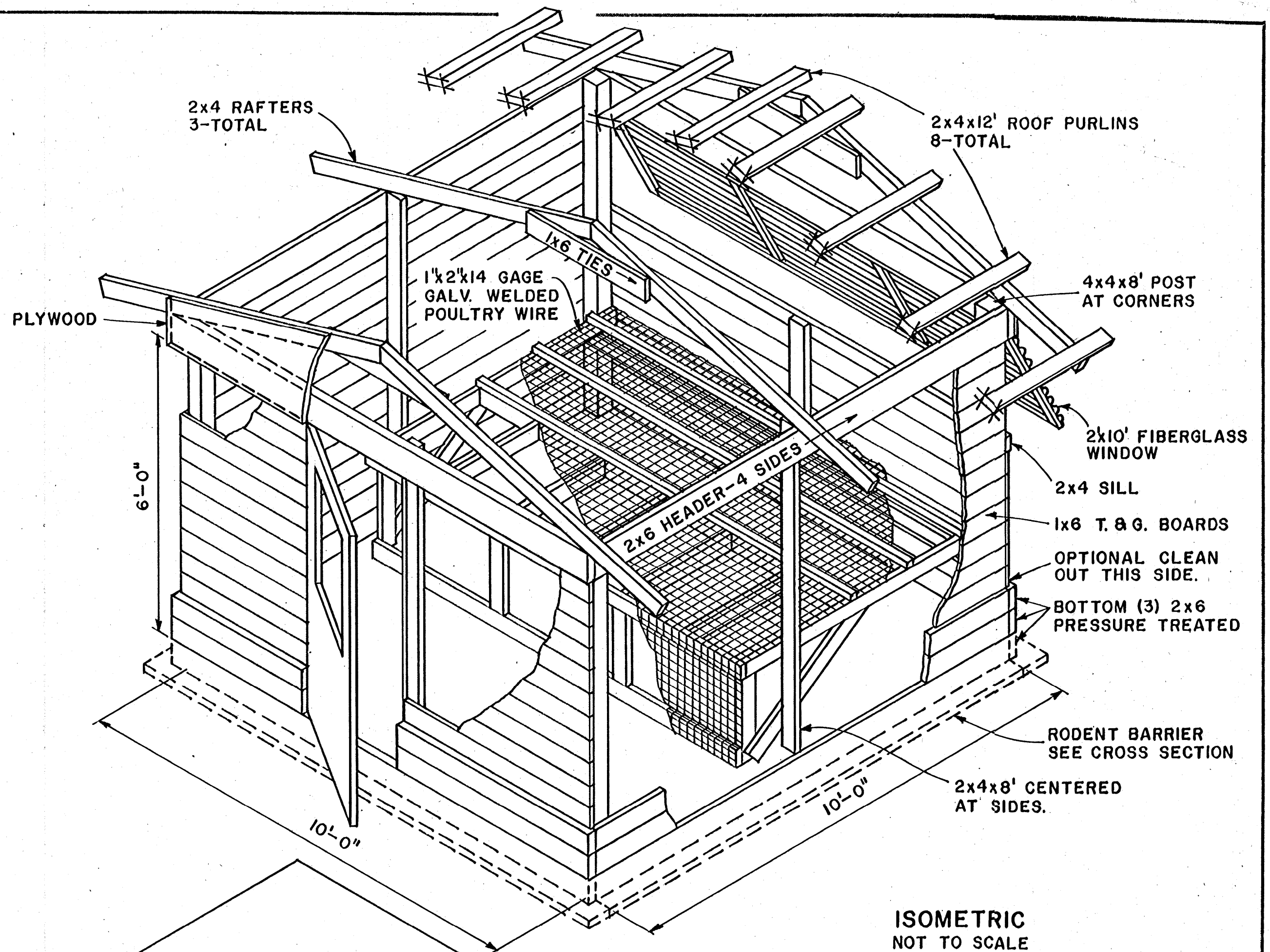


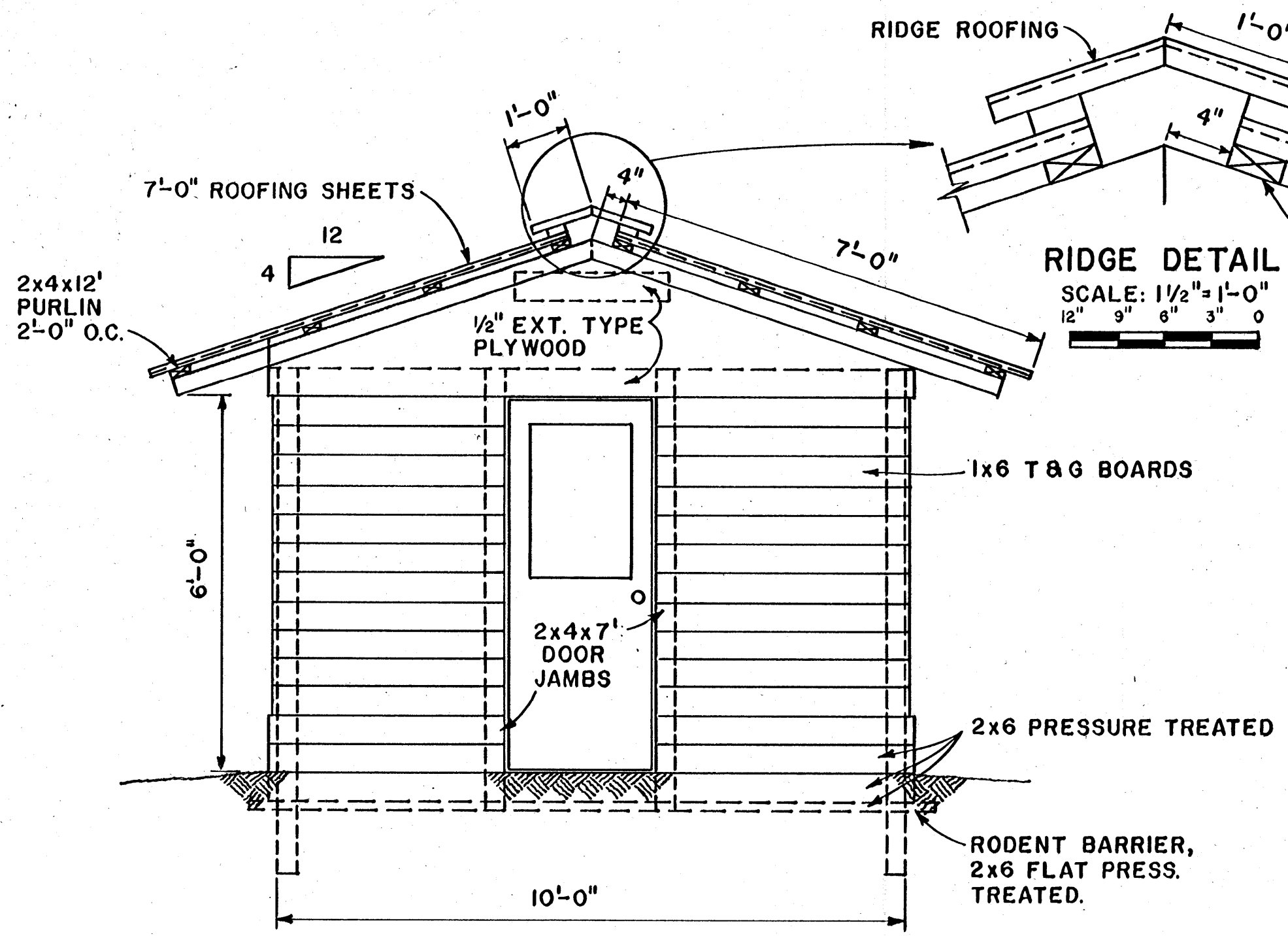
PLAN
SCALE: 1/2" = 1'-0"
12" 6" 0" 1' 2'



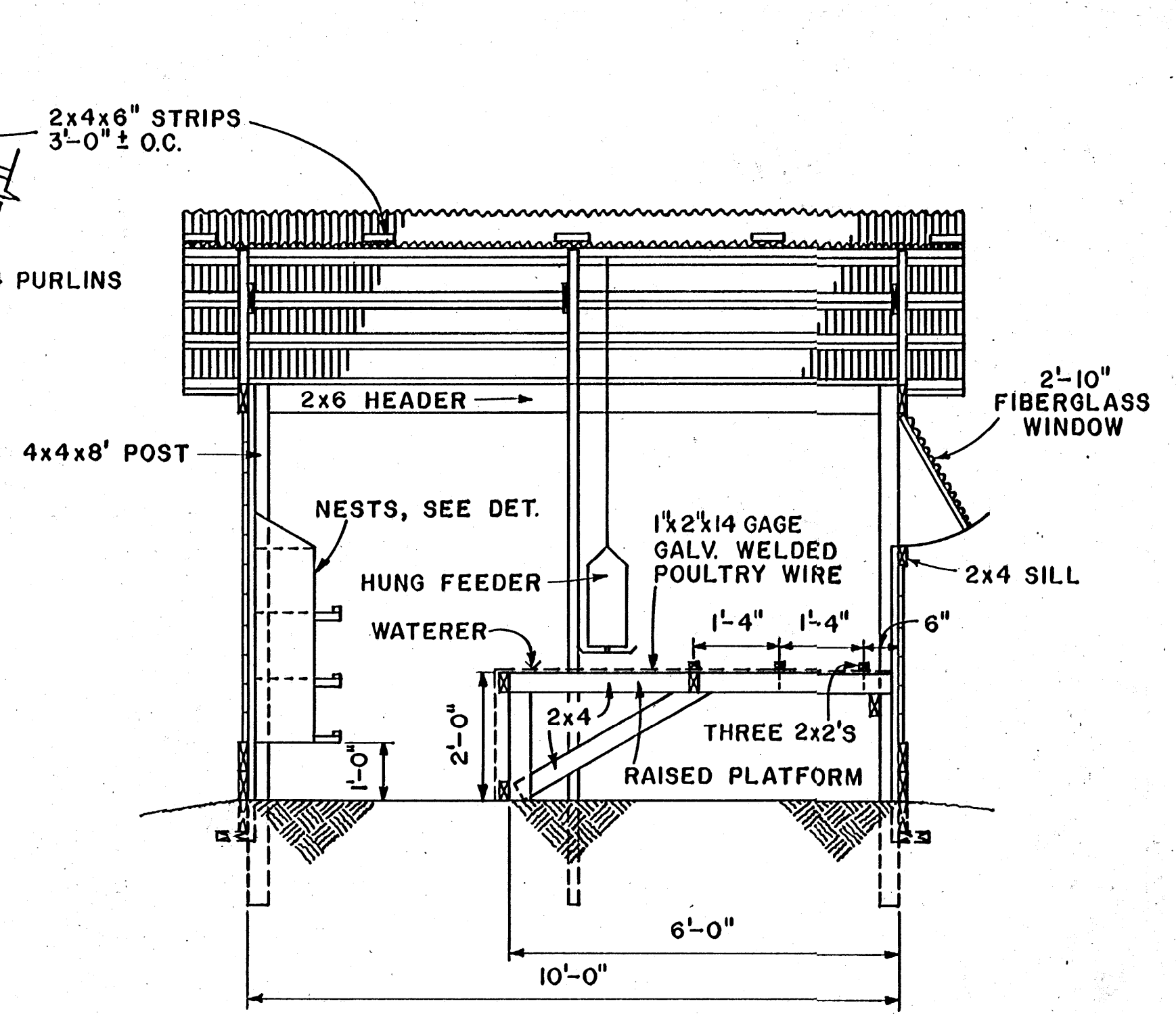
12" 6" 0" 1'
SCALE: 1" = 1'-0" UNLESS OTHERWISE NOTED

COOPERATIVE EXTENSION WORK IN AGRICULTURE AND HOME ECONOMICS			
STATE OF MISSISSIPPI			
MISSISSIPPI STATE UNIVERSITY			
AND UNITED STATES DEPARTMENT OF AGRICULTURE COOPERATING			
POULTRY HOUSE			
40-50 BIRDS			
N.J.	'75	6195	SHEET 1 OF 2

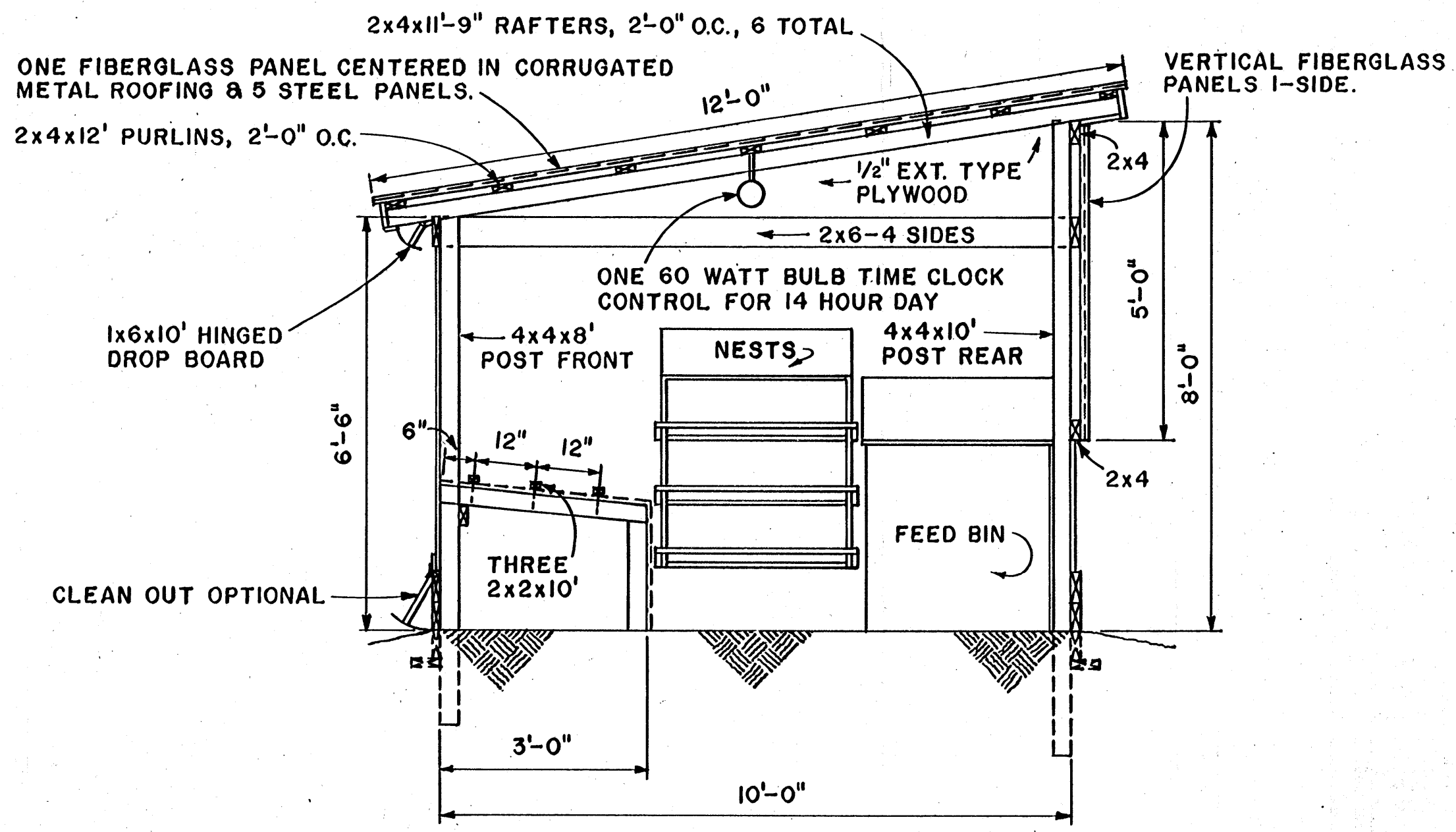
BASED ON: RUTGERS-THE STATE UNIV. OF N.J. PLAN NO. 157



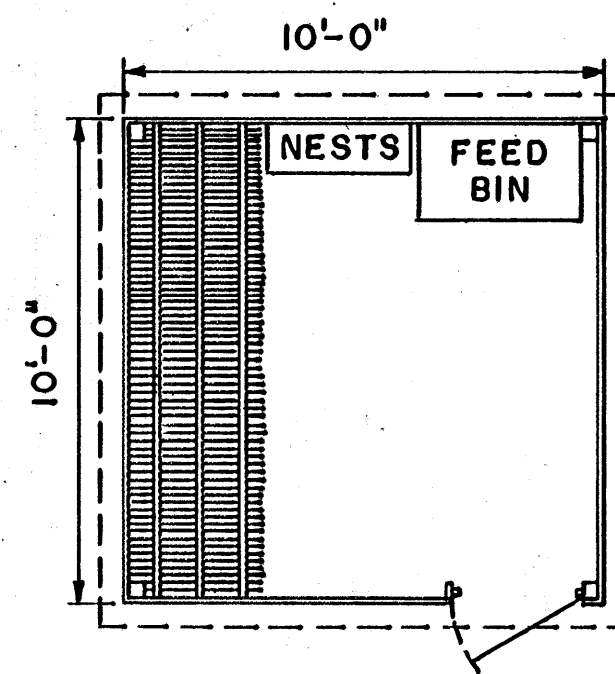
ELEVATION



CROSS SECTION



ALTERNATE ROOF & LAYOUT



PLAN
SCALE: 1/4" = 1'-0"
12' 0' 1' 2' 3' 4' 5'

12' 6" 0' 1' 2' 3'
SCALE: 1/2" = 1'-0" UNLESS OTHERWISE NOTED.

COOPERATIVE EXTENSION WORK IN AGRICULTURE AND HOME ECONOMICS		
STATE OF MISSISSIPPI		
MISSISSIPPI STATE UNIVERSITY		
AND UNITED STATES DEPARTMENT OF AGRICULTURE COOPERATING		
POULTRY HOUSE		
40-50 BIRDS		
N.J.	'75	6195 SHEET 2 OF 2