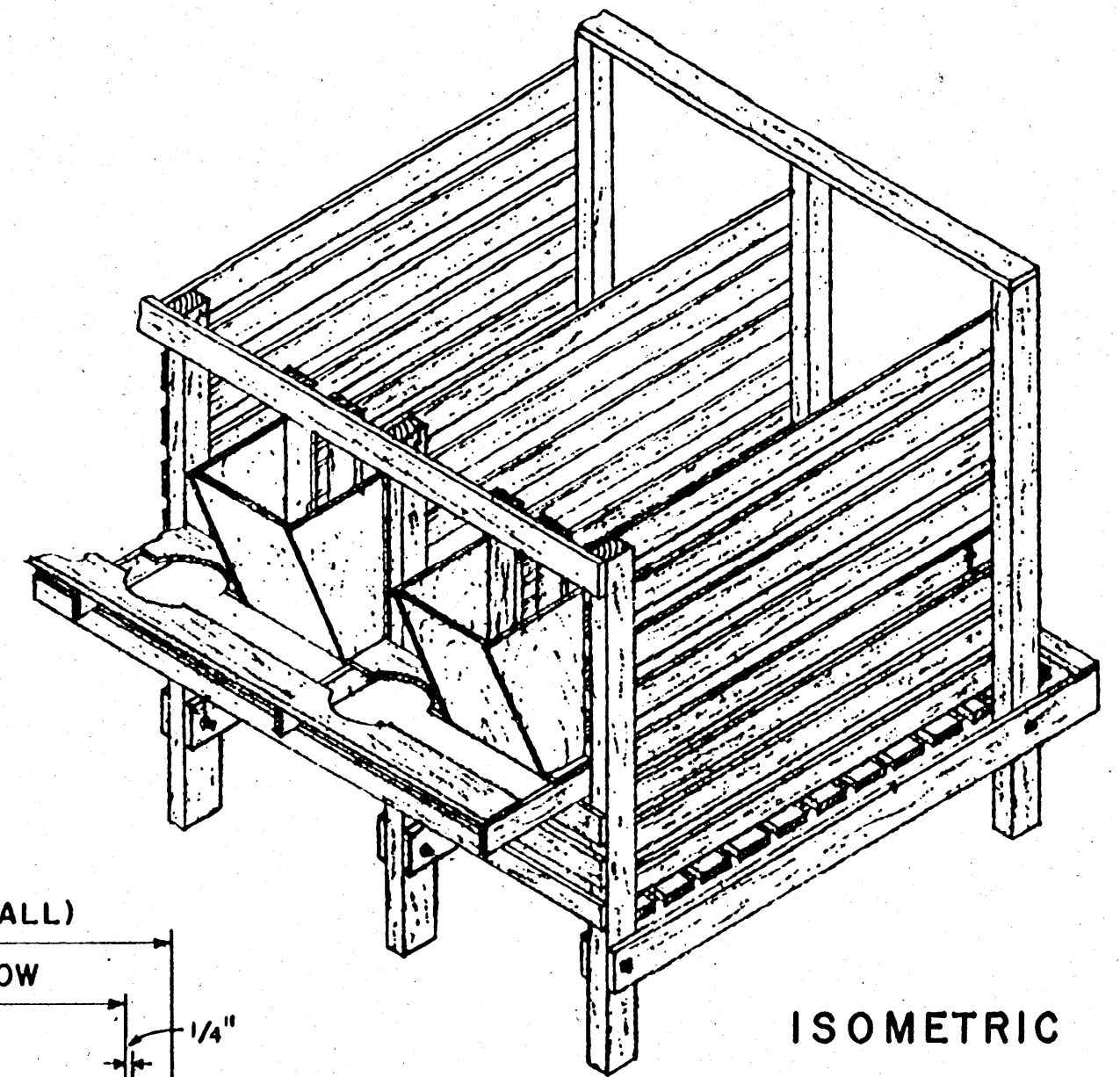
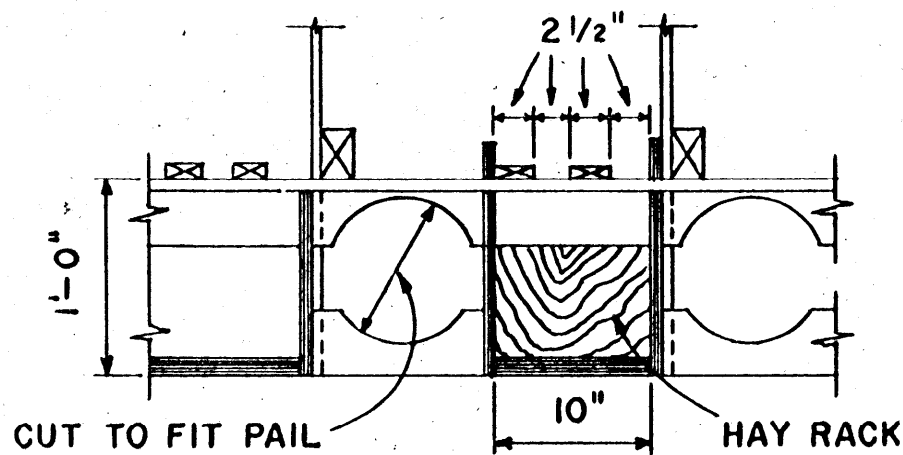


LIST OF MATERIALS  
(All Sound Quality Planed Hardwood Lumber Having Good Resistance to Decay.)

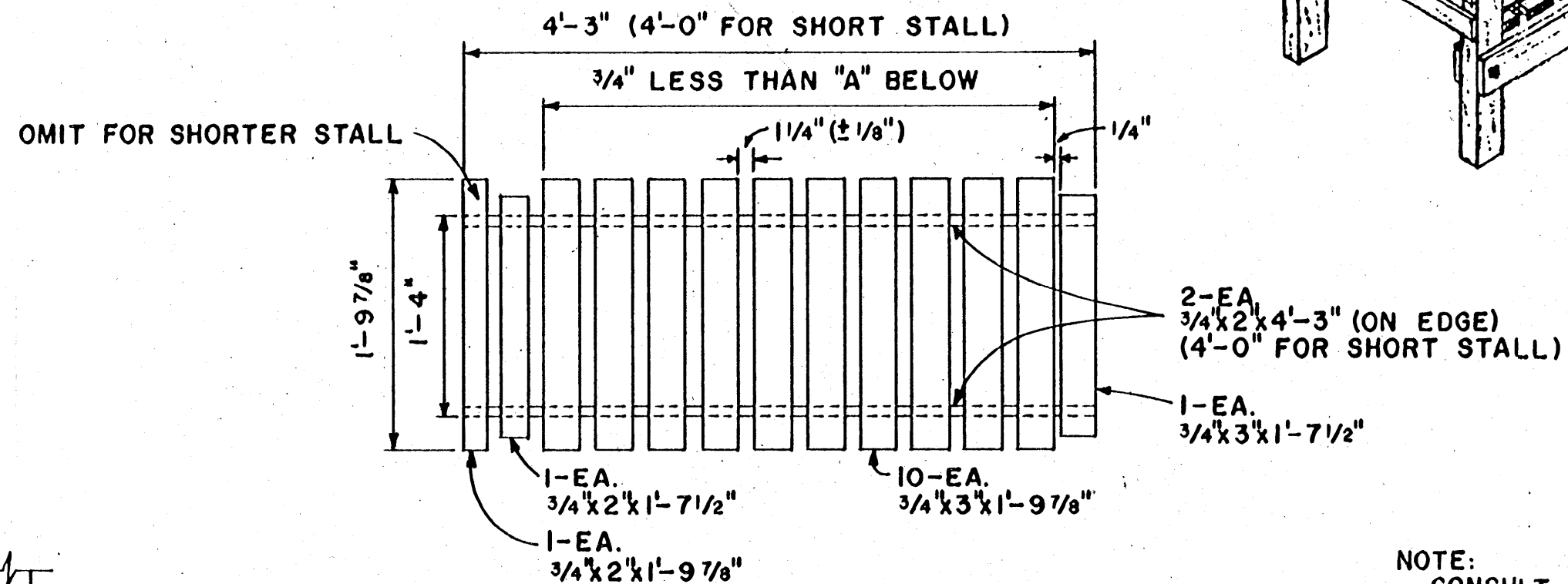
SIZE*	LENGTH	QUANTITY	SIZE*	LENGTH	QUANTITY	SIZE*	LENGTH	QUANTITY
3/4" x 2"	19 1/2"	1 per Stall	2" x 3"	4'-3"	1 per Stall	NAILS: 1 1/2" (Common or Hardened)		
"	21 7/8"	1 per Stall	"	4'-0"	1 per Stall	1/10 lb. per Stall		
"	4'3"	2 per Stall	3/4" x 2"	12'	1 per 6 Stalls	2" (Common or Hardened)		
3/4" x 3"	19 1/2"	1 per Stall	3/4" x 3"	12'	5 per 6 Stalls	1/3 lb. per Stall		
"	21 7/8"	10 per Stall	3/4" x 4"	12'	2 per 6 Stalls	BOLTS: 3/8" x 4" Mach. 2 per Stall		
"	27"	2 per Stall	1/2" ply. or			WASHERS: 3/8" Flat 4 per Stall		
"	4'-0"	7 per Stall	3/4" Bd.	10" x 19"	1 per Stall	*All wood sizes "Actual"		
"	5'-0"	1 per Stall	1/2" ply.	12" x 16"	2 per Stall	**4'-6" for veal calves to 300 #, Only 4'-0" for calves to 200 #.		
3/4" x 4"	4'-6"***	2 per Stall						



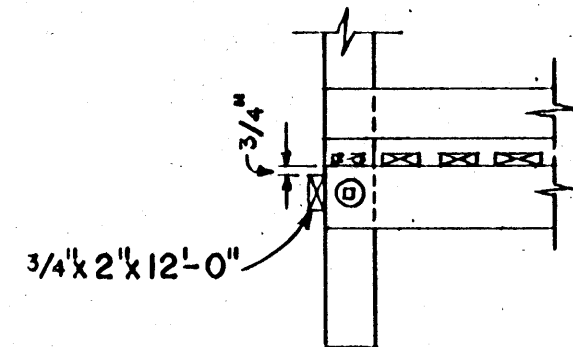
ISOMETRIC



TOP VIEW



TOP VIEW-REMOVABLE BOTTOM

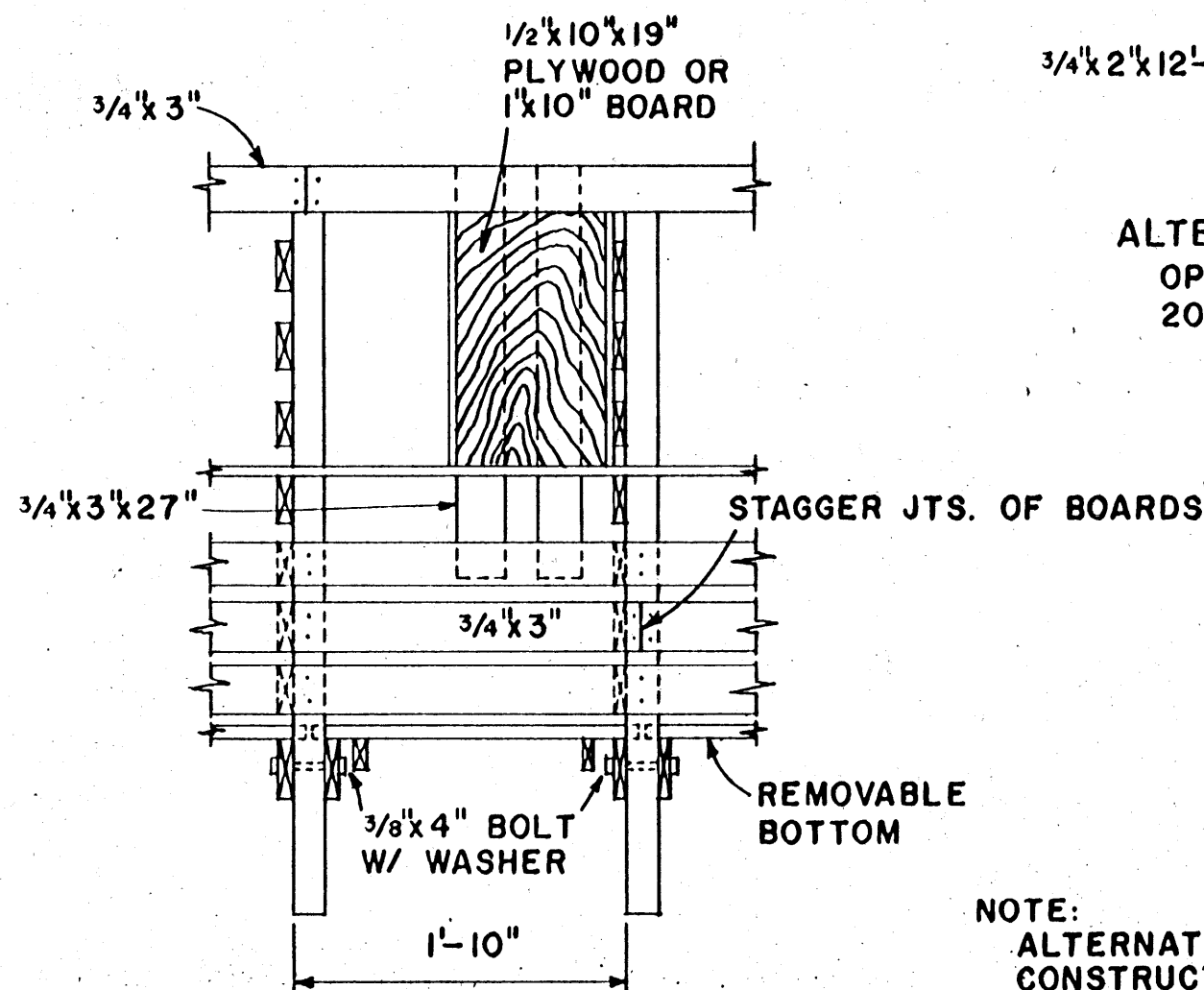


ALTERNATE SHORT STALL  
OPTIONAL FOR CALVES TO  
200\* OR 8 WEEKS OLD.

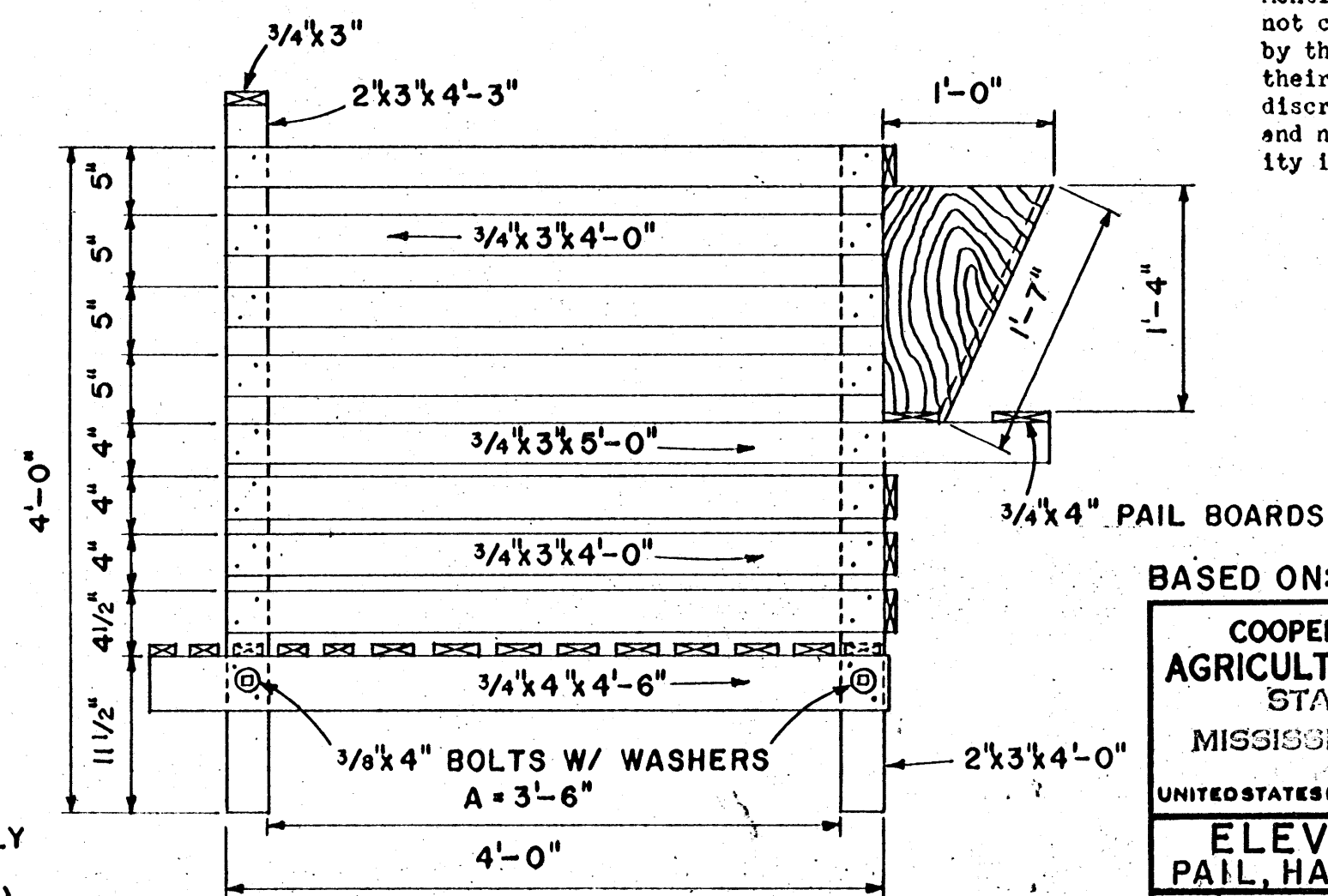
NOTE:  
CONSULT LOCAL HEALTH AND  
BUILDING CODE AUTHORITIES  
BEFORE STARTING CONSTRUCTION.

Mention of these firms does  
not constitute an endorsement  
by the Department of either  
their products or prices. No  
discrimination is intended,  
and no guarantee of reliabil-  
ity implied.

SCALE: 1"=1'-0" UNLESS  
OTHERWISE NOTED  
12" 9" 6" 3" 0 1'



FRONT VIEW



SIDE VIEW

NOTE:  
ALTERNATE FLOOR CAN BE SPECIALLY  
CONSTRUCTED:  
METAL ROD FLOOR (3/8" RODS, 1" O.C.)  
WELDED TO 1/4"x1" METAL STRAP ON  
EDGE OR 1" SQ. METAL TUBING.

BASED ON: UNIV. OF KY. PLAN II.772-34

COOPERATIVE EXTENSION WORK IN  
AGRICULTURE AND HOME ECONOMICS  
STATE OF MISSISSIPPI  
MISSISSIPPI STATE UNIVERSITY  
AND  
UNITED STATES DEPARTMENT OF AGRICULTURE COOPERATING

ELEVATED CALF STALL  
PAIL, HAY AND GRAIN FEEDING

KY. '75 6199 SHEET 1 OF 1