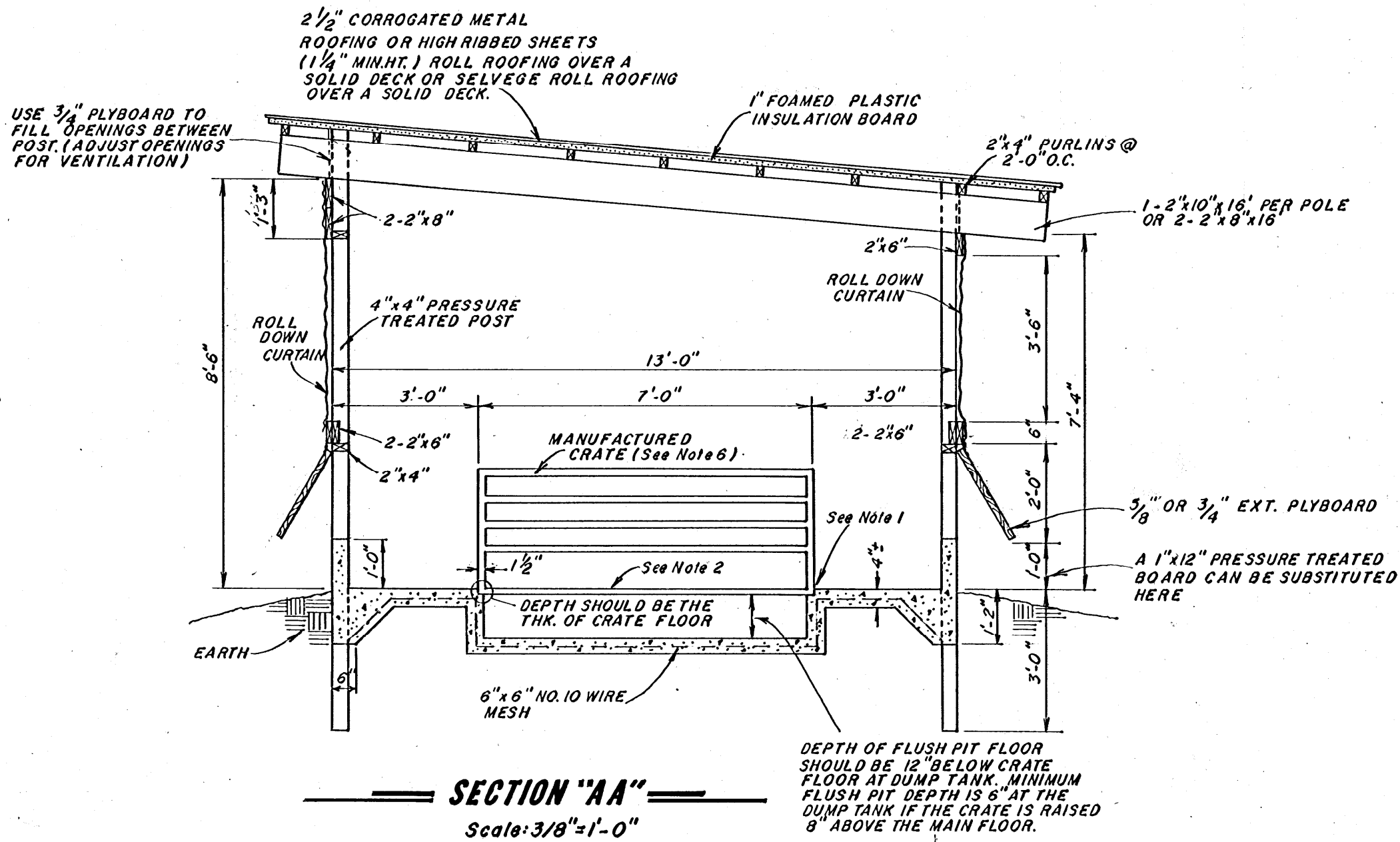


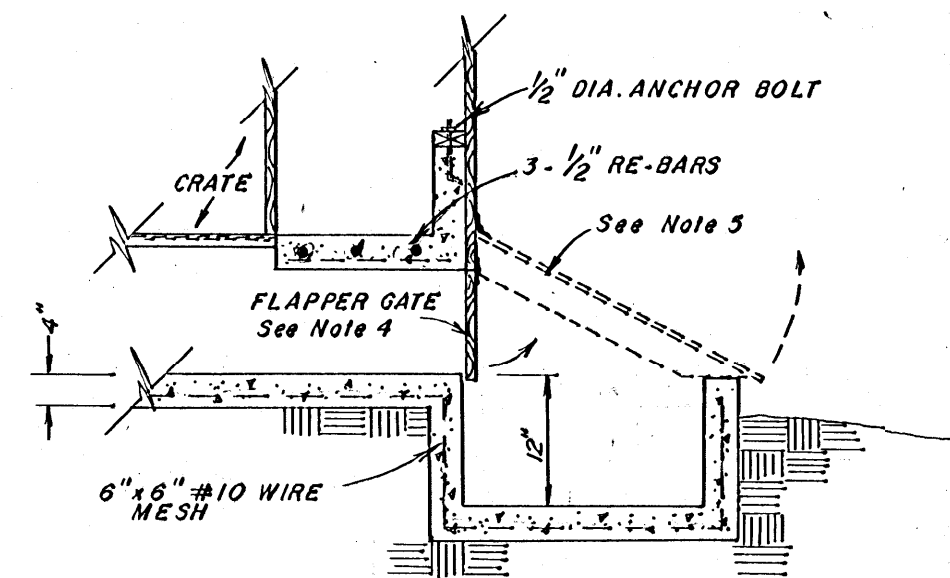
FLOOR PLAN

Scale: 1/4" = 1'-0"



SECTION "AA"

Scale: 3/8" = 1'-0"



SECTION "BB"

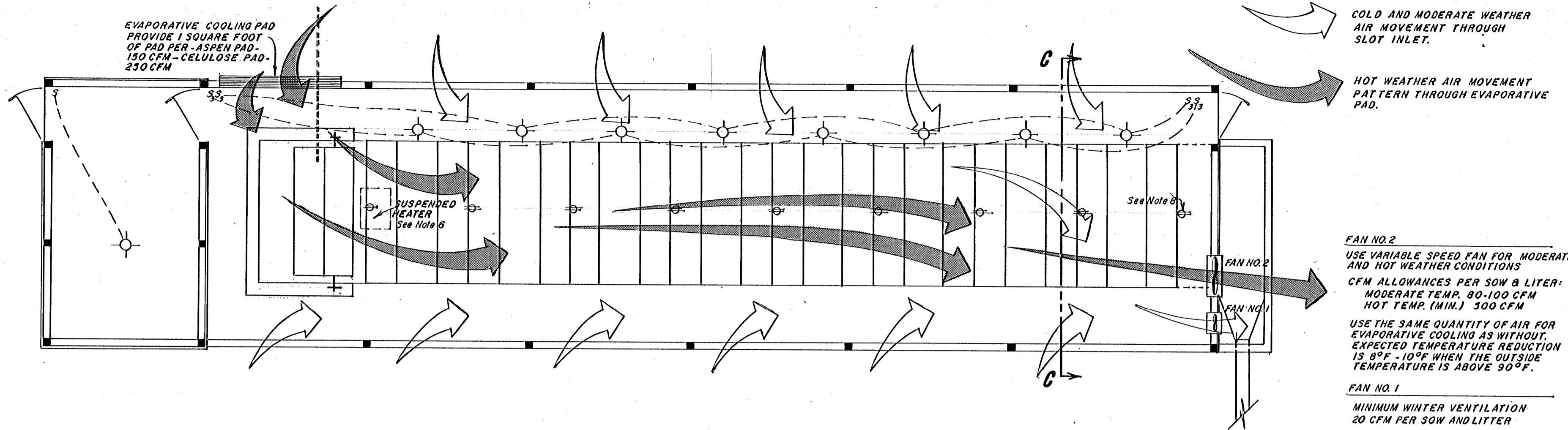
Scale: 1/2" = 1'-0"

NOTES:

- AS AN OPTION CRATES CAN BE ELEVATED UP TO 8" ABOVE MAIN FLOOR.
- CRATE FLOOR SHALL BE GALVANIZED WOVEN WIRE 3 OR 5 GAUGE - 3/16" OR 3/8" x 1 1/2" MESH FOLLOW MANUFACTURERS RECOMMENDATIONS FOR FLOOR SUPPORT. SUGGESTED SUPPORT - 12" EACH WAY UNDER SOWS FEET AND 12" ONE WAY IN OTHER AREAS.
- A SLOPE OF 1% IS ADEQUATE FOR A GUTTER LENGTH OF UP TO 80 FEET IF 50 GALLONS PER FOOT GUTTER WIDTH IS PROVIDED IN DUMP TANK CAPACITY.
- FLAPPER GATE SHOULD BE MADE OUT OF LIGHT WEIGHT NON CORROSIVE AND OR TREATED MATERIAL. GATE SWINGS UPWARD AND OUT OF WAY DURING FLUSHING - RETURNING TO DOWN POSITION WHEN WATER IS PASSED. THE GATE SHOULD BE LIGHT ENOUGH THAT THERE BE NO ACCUMULATION OF SOLIDS ON UPSTREAM SIDE OF GATE. THIS GATE IS NECESSARY FOR PROPER FUNCTION OF VENTILATION SYSTEM.
- OPTIONAL METHOD OF COVERING CATCH BASIN. USE 3/4" EXT. PLYBOARD. MAKE AIRTIGHT AGAINST BUILDING AND ON CATCH BASIN WALLS. IF THIS METHOD IS USED TO CLOSE CATCH BASIN A FLAPPER GATE MUST BE USED AT THE OUTLET FOR PROPER FUNCTION OF THE VENTILATION SYSTEM.
- DRAFTINESS CAN BETTER BE MANAGED DURING COLD WEATHER IF THE END WALLS AND THE PARTITION BETWEEN CRATES ARE SOLID.

FLOOR PLAN & SECTIONS		PL. NO. 6225-A
EIGHT STALL EXPANDABLE FARROWING HOUSE		
	DESIGN BY LEE MILLER	SHEET
	DRAWN BY JERRY BINGHAM	1
	DATE JAN. 26, 1983	OF 2

LEGEND



COLD AND MODERATE WEATHER AIR MOVEMENT THROUGH SLOT INLET.

HOT WEATHER AIR MOVEMENT PATTERN THROUGH EVAPORATIVE PAD.

FAN NO. 2
USE VARIABLE SPEED FAN FOR MODERATE AND HOT WEATHER CONDITIONS
CFM ALLOWANCES PER SOW & LITER:
MODERATE TEMP. 80-100 CFM
HOT TEMP. (MIN.) 300 CFM

USE THE SAME QUANTITY OF AIR FOR EVAPORATIVE COOLING AS WITHOUT. EXPECTED TEMPERATURE REDUCTION IS 8°F - 10°F WHEN THE OUTSIDE TEMPERATURE IS ABOVE 90°F.

FAN NO. 1
MINIMUM WINTER VENTILATION 20 CFM PER SOW AND LITTER

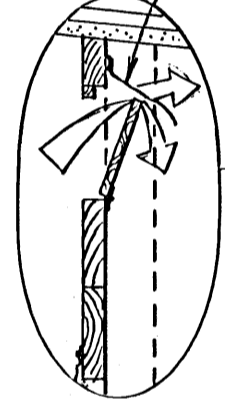
AIR MOVEMENT PLAN

Scale: 1/4"=1'-0"

ELECTRICAL SCHEDULE	
SYMBOL	DESCRIPTION
S	SINGLE POLE WALL SWITCH
S ₃	THREE WAY WALL SWITCH
⊙	CEILING LIGHT
⊕	DUPLEX CONVICIENCE OUTLET CEILING MOUNTED FOR HEAT LAMPS AND HEATING PADS

NOTE: WIRING TO MEET NATIONAL ELECTRIC CODE SPECIFICATIONS

6 MIL. POLYETHYLENE ANTI-BACKDRAFT CURTIAN

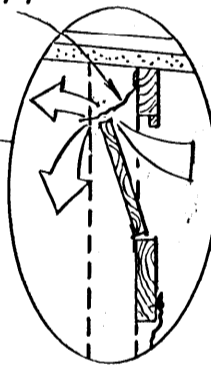


SLOT INLET DETAIL

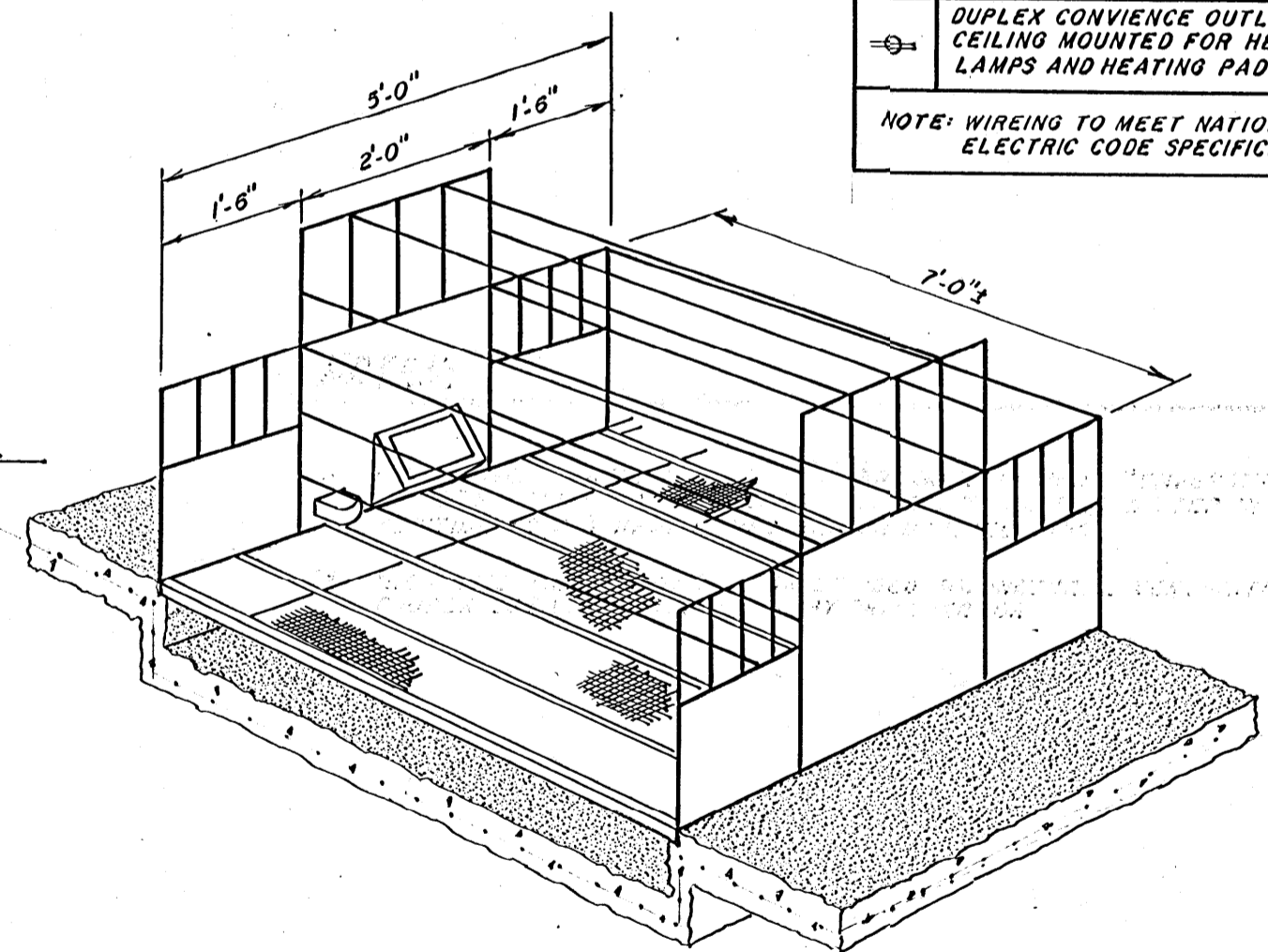
HINGED BAFFLE BOARD BETWEEN POST TO SERVE AS A SLOT INLET FOR FORCED AIR VENTILATION CRACKS AT BOTH BOARDS WILL PERMIT ENOUGH INLET AREA FOR MINIMUM VENTILATION (20 CFM PER SOW AND LITTER) See Note 7.

ROLL DOWN CURTIAN

6 MIL. POLYETHYLENE ANTI-BACKDRAFT CURTIAN



SLOT INLET DETAIL



TYP. PEN DETAIL

No Scale

SECTION "CC"

Scale: 3/8"=1'-0"

SHOWING PROVISION FOR VENTILATION A SLOT INLET EQUIPPED WITH 6 MIL. POLYETHYLENE BACKDRAFT CURTIAN OPENED 2" WIDE WILL HANDLE THE COLD AND WARM WEATHER VENTILATION ALSO THE HOT WEATHER VENTILATION IF AN EVAPORATIVE COOLING PAD IS NOT USED. ALTERNATIVE USE OF THE SIDE CURTAINS AND DOORS CAN BE USED TO REGULATE NATURAL AIR MOVEMENT.

NOTES:

6. A SUSPENDED HEATER CAN BE USED TO MAINTAIN ROOM TEMPERATURE AT 60°F. ALLOW APPROX. 2000 BTU/HR PER SOW AND LITTER IN ADDITION TO ANY HEAT LAMPS AND OR HEATING PADS.
7. THE HINGED BAFFLE BOARDS CAN BE USED FOR NATURAL VENTILATION. PROPER USE WILL HAVE TO BE BY TRIAL ERROR.
8. HEAT LAMPS AND HEAT PADS ARE RECOMMENDED FOR NEW BORN PIGS. DO NOT EXCEED THE WATTAGE ALLOWED PER CIRCUIT AS DETERMINED BY WIRE SIZE USED.

HEATING & VENTILATION	PL. NO. 6225-A
EIGHT STALL EXPANDABLE FARROWING HOUSE	
DESIGN BY LEE MILLER	SHEET 2
DRAWN BY JERRY BINGHAM	OF 2
DATE JAN. 28, 1983	



Mississippi Cooperative Extension Service
Mississippi State University
USDA and Counties Cooperating