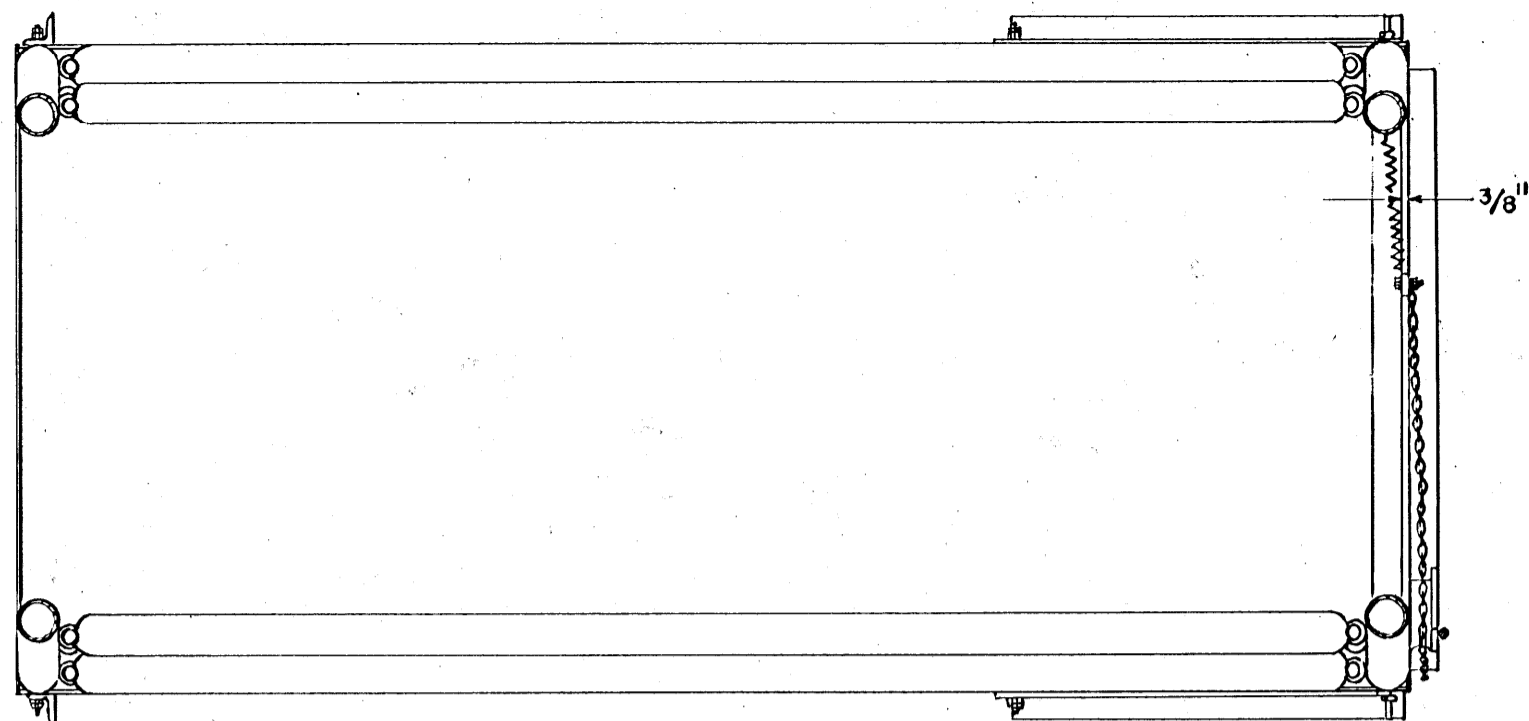
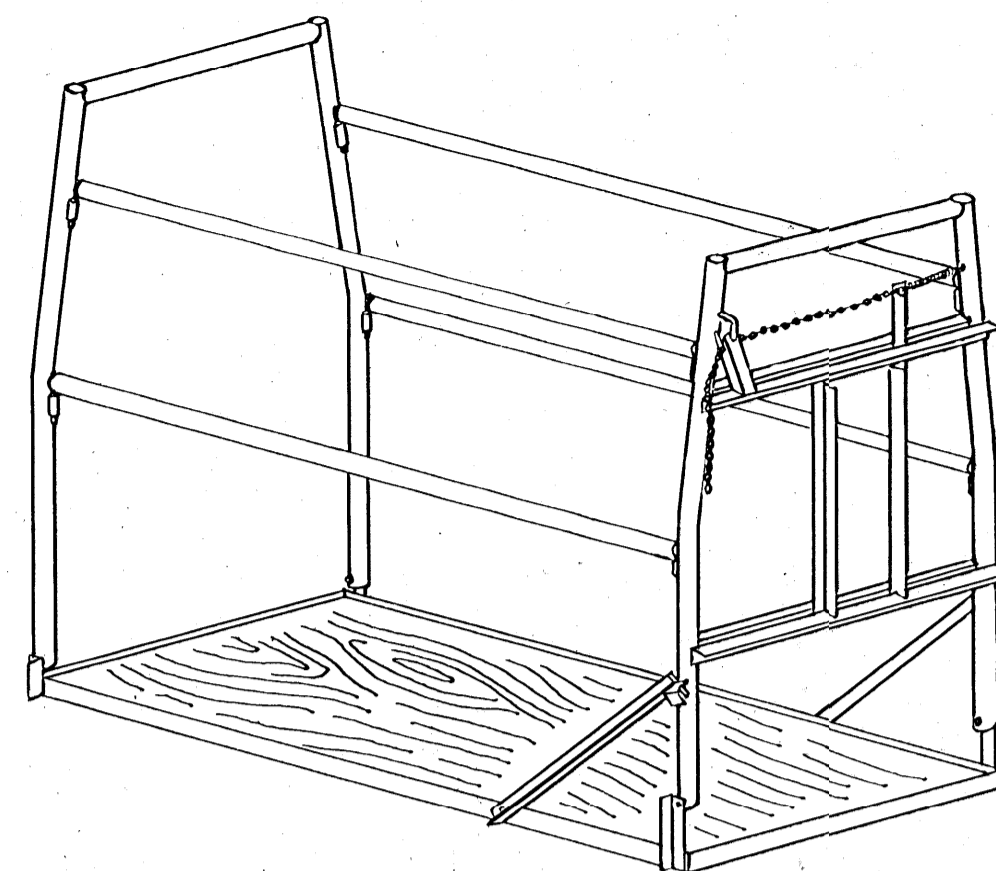


CHAIN CATCH DETAILS

SCALE: $\frac{3}{8}'' = 1''$



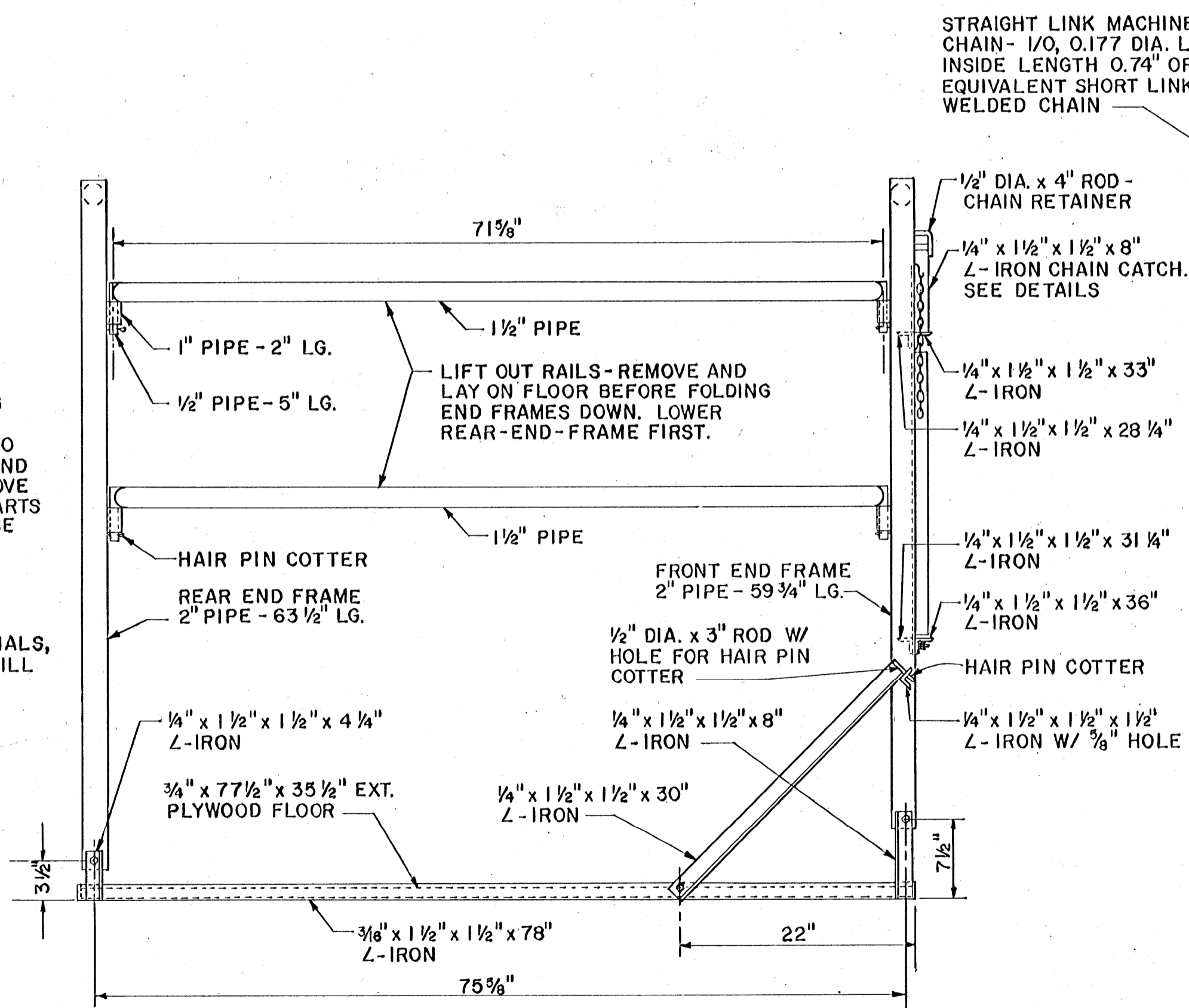
SECTION A-A



PICTORIAL

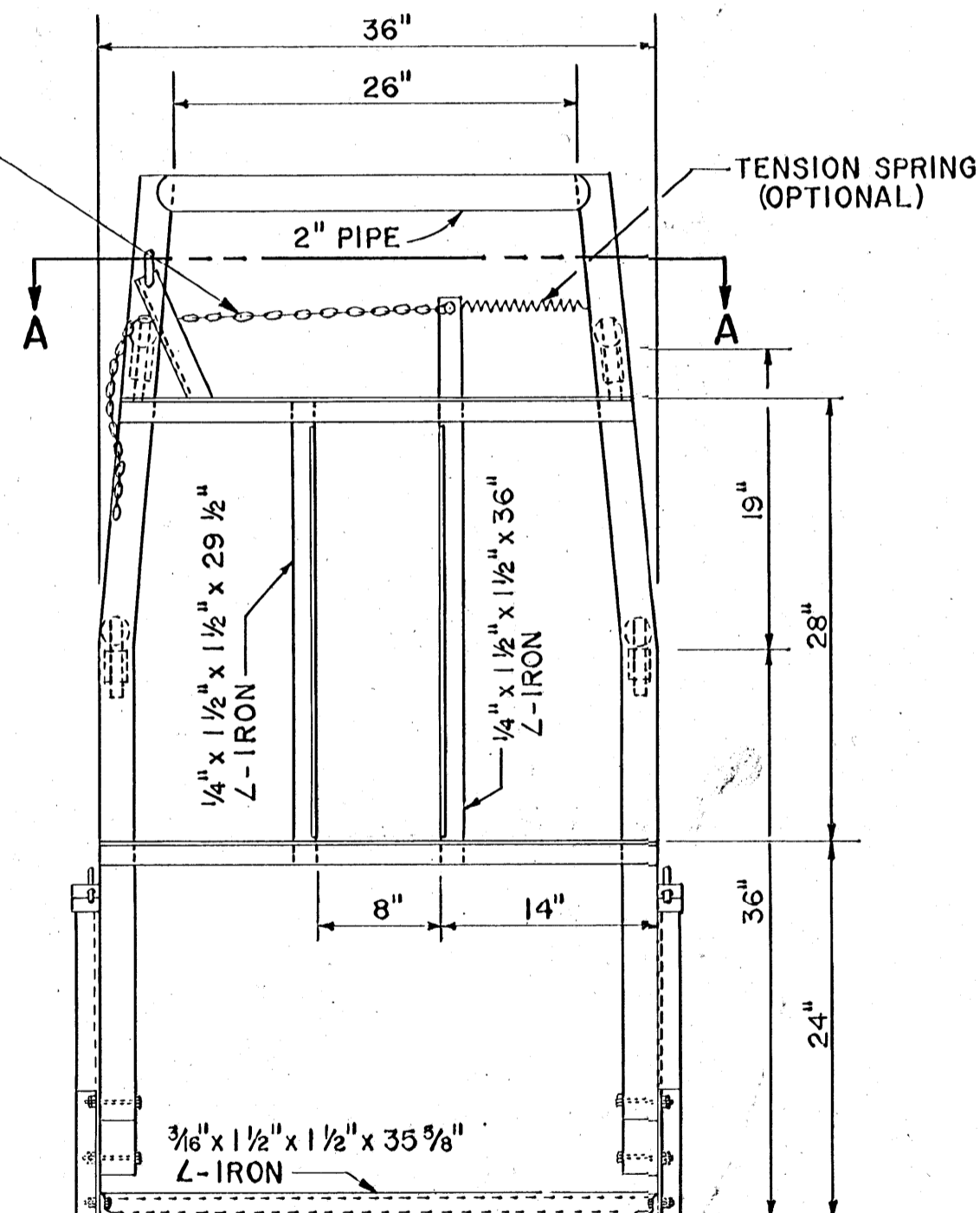
NOTES:

1. \odot - INDICATES PIVOTING POINTS - FASTEN WITH $\frac{1}{2}''$ BOLTS, USE 2 NUTS TO LOCK BOLTS IN PLACE AND TO ALLOW PARTS TO MOVE FREELY. ALL OTHER PARTS TO BE WELDED IN PLACE AS SHOWN.
2. THIS CHUTE SIZED FOR 1400 LB. DAIRY COW. FOR OTHER SIZED ANIMALS, CERTAIN DIMENSIONS WILL NEED TO BE CHANGED.



SIDE VIEW

STRAIGHT LINK MACHINE CHAIN - 1/0, 0.177 DIA. LINK, INSIDE LENGTH 0.74" OR EQUIVALENT SHORT LINK WELDED CHAIN



END VIEW

SCALE: $\frac{3}{32}'' = 1''$ UNLESS OTHERWISE NOTED.

COOPERATIVE EXTENSION WORK IN AGRICULTURE AND HOME ECONOMICS

AND UNITED STATES DEPARTMENT OF AGRICULTURE COOPERATING

DAIRY COW TRIMMING CHUTE (PORTABLE)

W. VA. '78 6303 SHEET 1 OF 1

BASED ON: WEST VIRGINIA UNIV. PLAN NO. DA-160