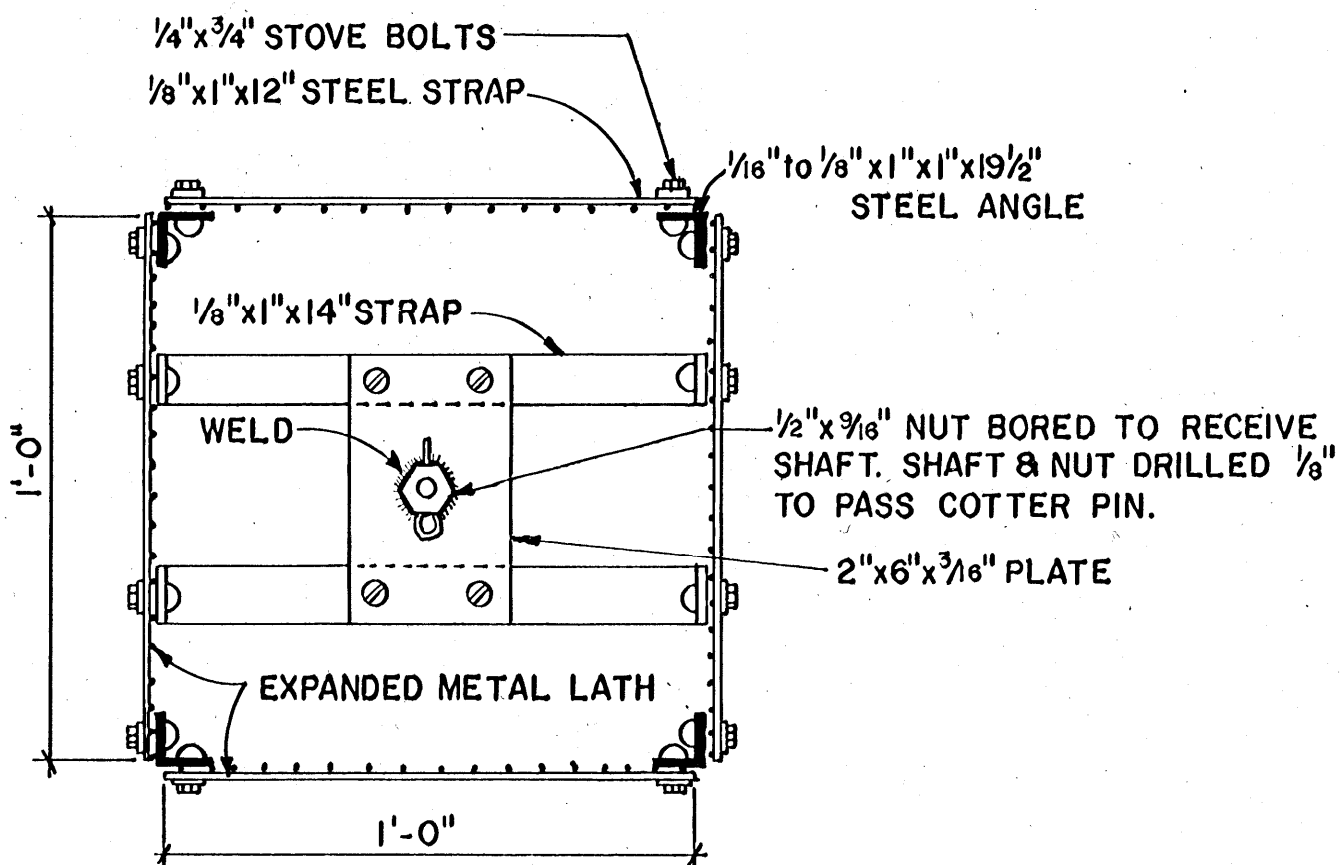
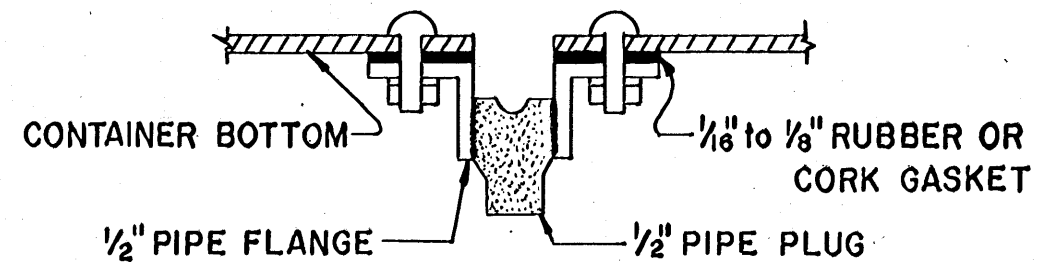


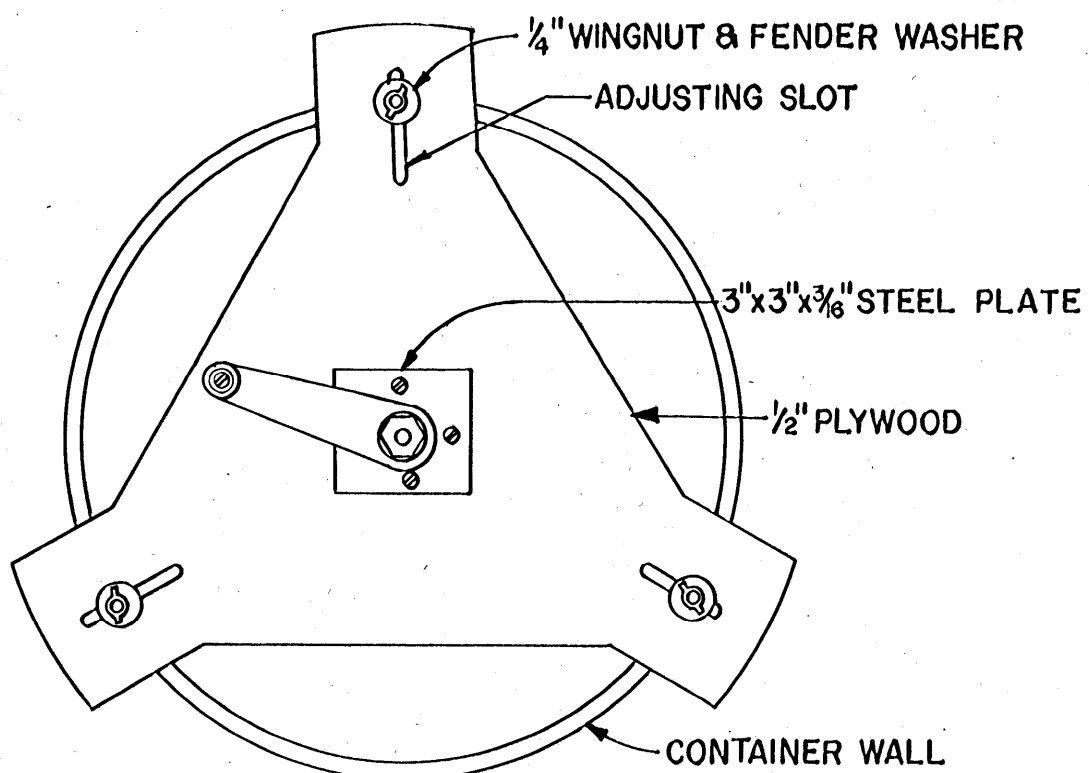
**DETAIL 2 - EXTRACTOR PARTIAL SECTION**



**SECTION AA**

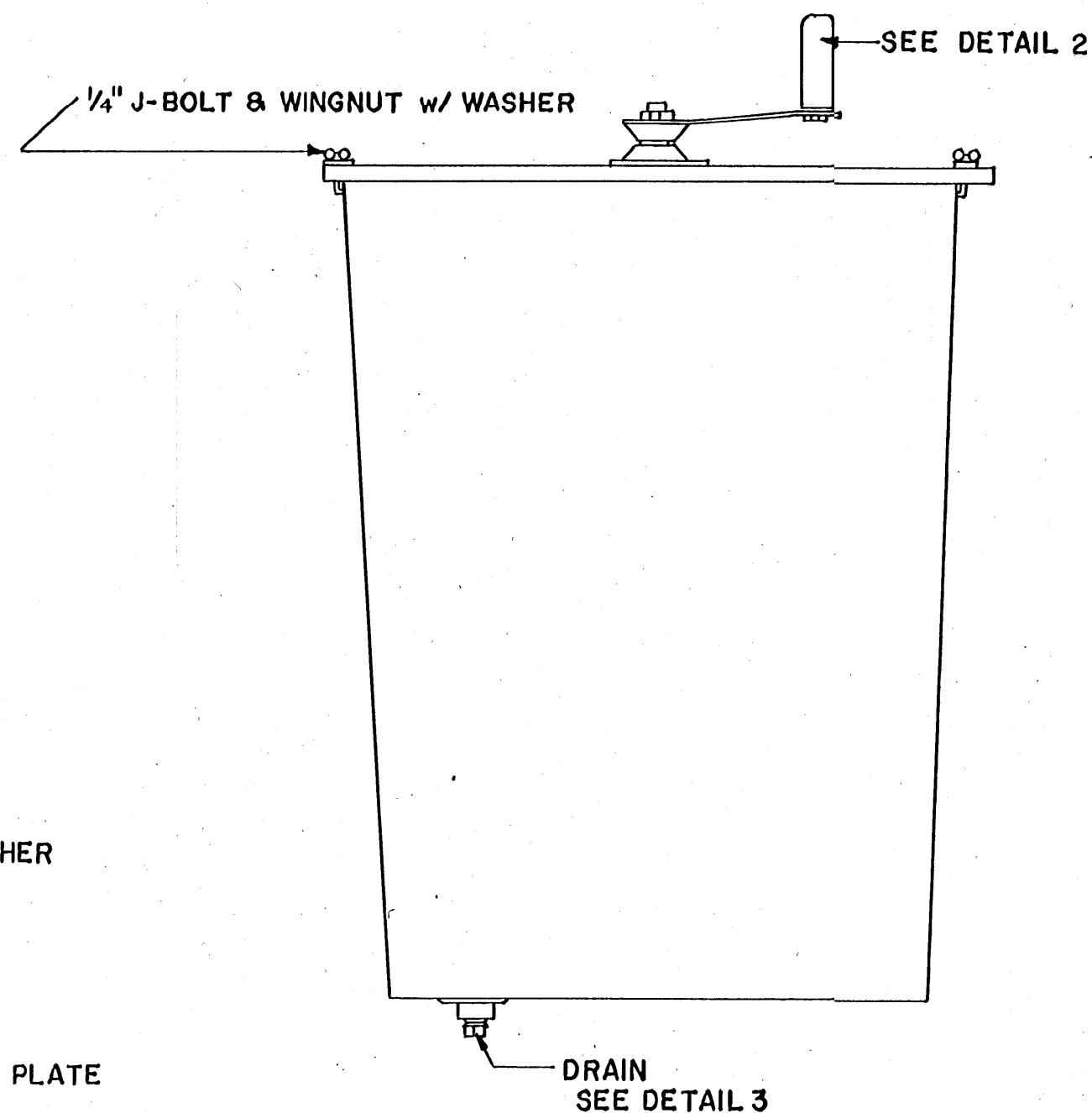


**DETAIL 3 - DRAIN FITTING**  
NOT TO SCALE



**TOP VIEW**

**NOTE:** THE HONEY EXTRACTOR IS USED TO SPIN HONEY OUT OF THE COMBS AFTER THEY HAVE BEEN UNCAPPED. THIS UNIT WILL HANDLE FOUR COMBS AT ONCE. CAUTION SHOULD BE USED WHEN EXTRACTING FROM NEW OR VERY OLD COMBS AS THEY ARE SUBJECT TO BREAKAGE. THESE COMBS SHOULD BE PARTIALLY EMPTIED ON ONE SIDE THEN TURNED AND PARTIALLY EMPTIED ON THE OTHER SIDE, REPEATING THIS PROCEDURE UNTIL ALL HONEY IS REMOVED.



**SIDE VIEW**

12' 6" 0 1 2 3 4 6 8  
SCALE: 1/4" = 1'-0" UNLESS OTHERWISE NOTED.

COOPERATIVE EXTENSION WORK IN  
AGRICULTURE AND HOME ECONOMICS  
**STATE OF MISSISSIPPI**  
**MISSISSIPPI STATE UNIVERSITY**  
AND  
UNITED STATES DEPARTMENT OF AGRICULTURE COOPERATING

**HONEY EXTRACTOR**

USDA '79 EX. 6330 SHEET 1 OF 1