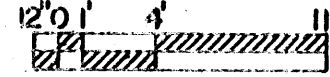
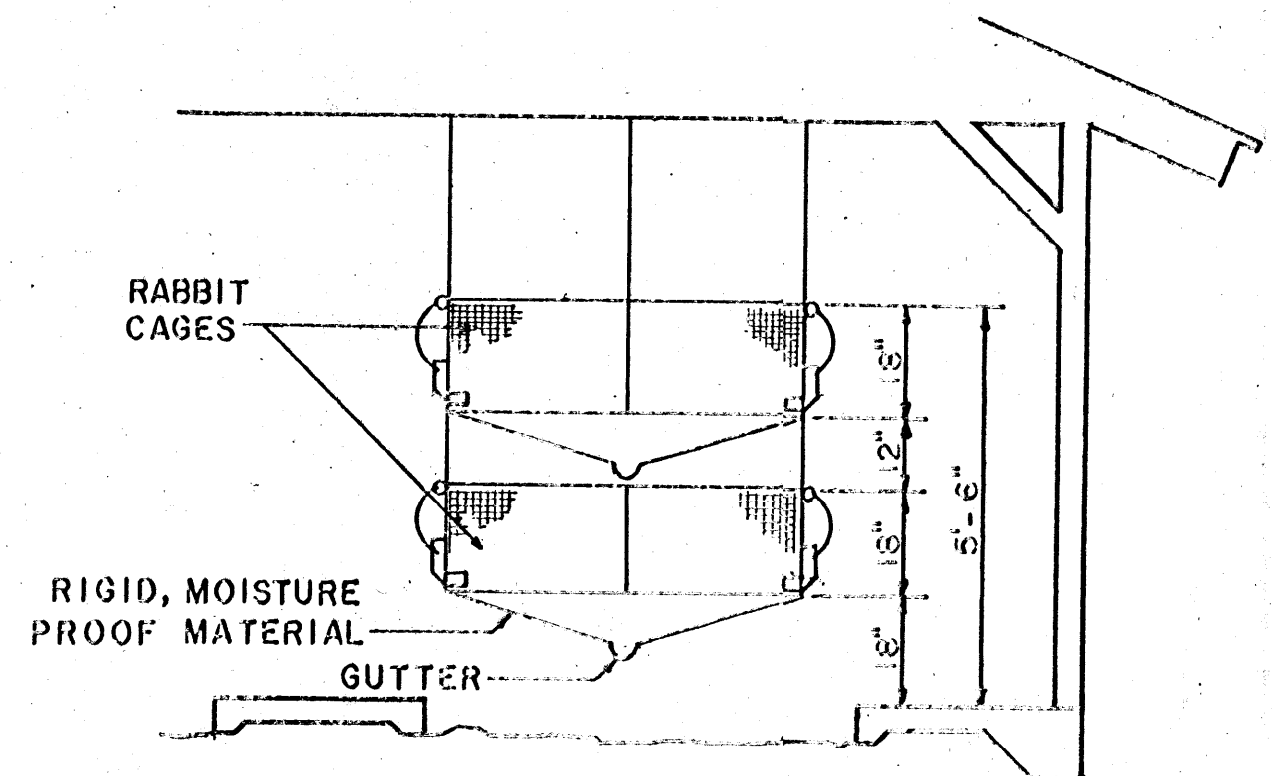


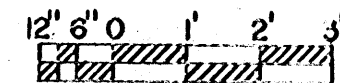
FLOOR PLAN



SCALE 1/8" = 1'-0"

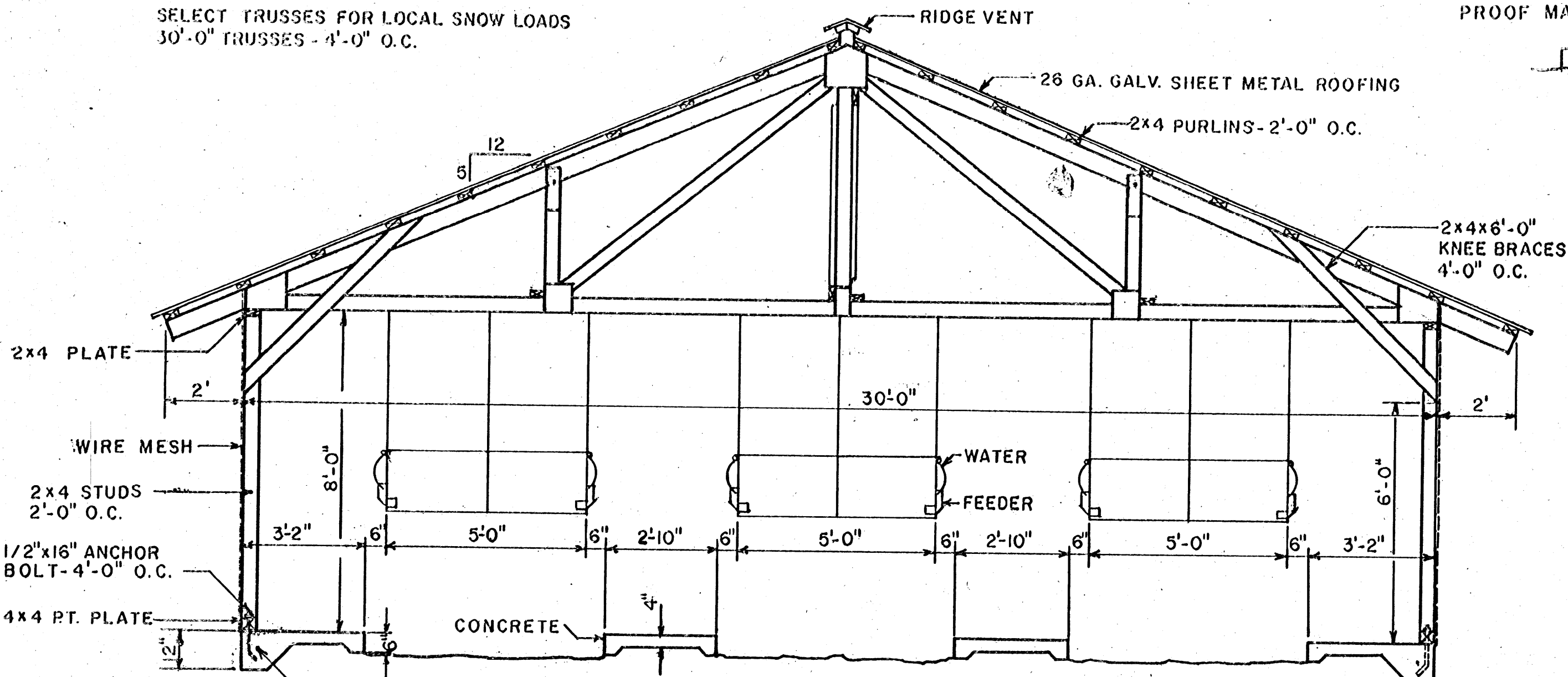


DOUBLE DECKED CAGES

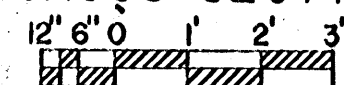


SCALE 3/8" = 1'-0"

SELECT TRUSSES FOR LOCAL SNOW LOADS
30'-0" TRUSSES - 4'-0" O.C.



CROSS SECTION

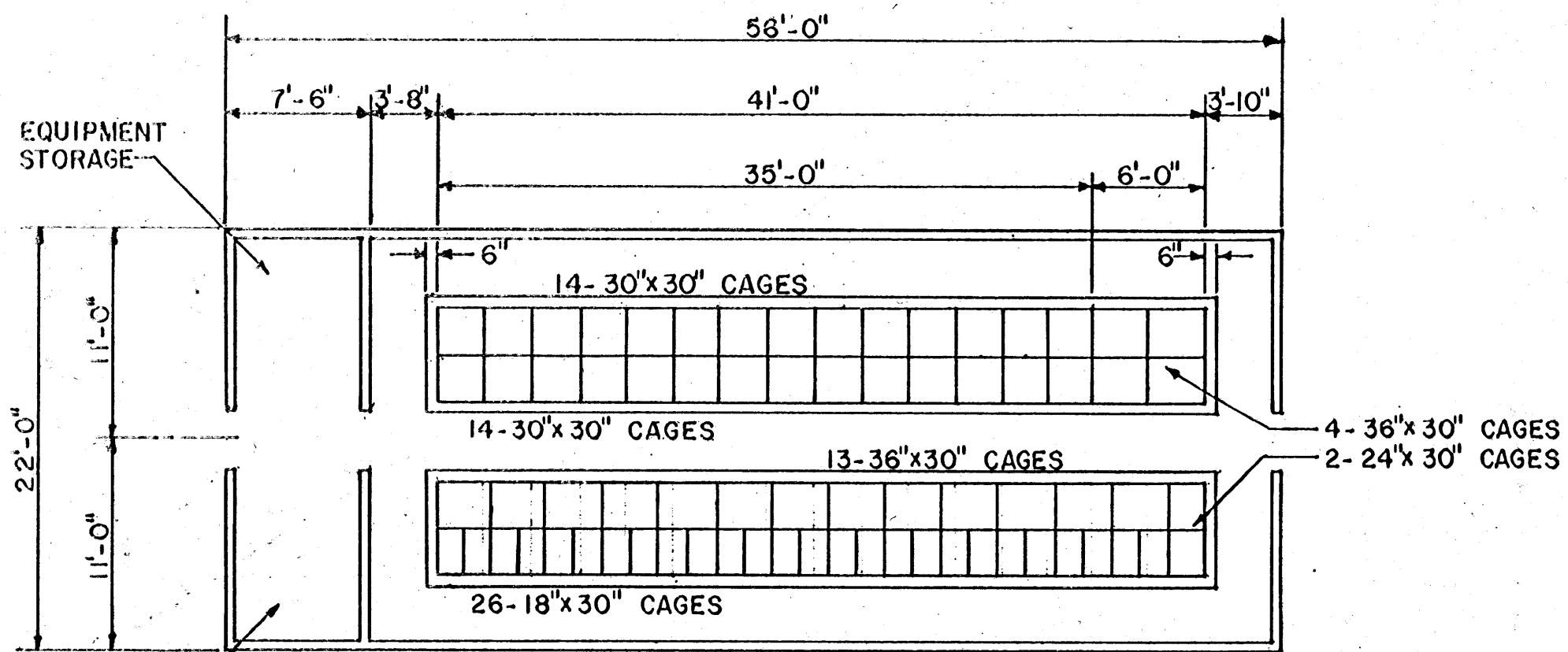


SCALE 3/8" = 1'-0"

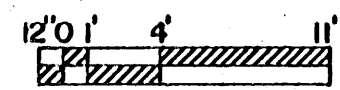
COOPERATIVE EXTENSION SERVICE
AGRICULTURE AND HOME ECONOMICS
STATE OF MISSISSIPPI
MISSISSIPPI STATE UNIVERSITY
AND
UNITED STATES DEPARTMENT OF AGRICULTURE COOPERATING

2 MULTI-ROW CAGED RABBIT SHED

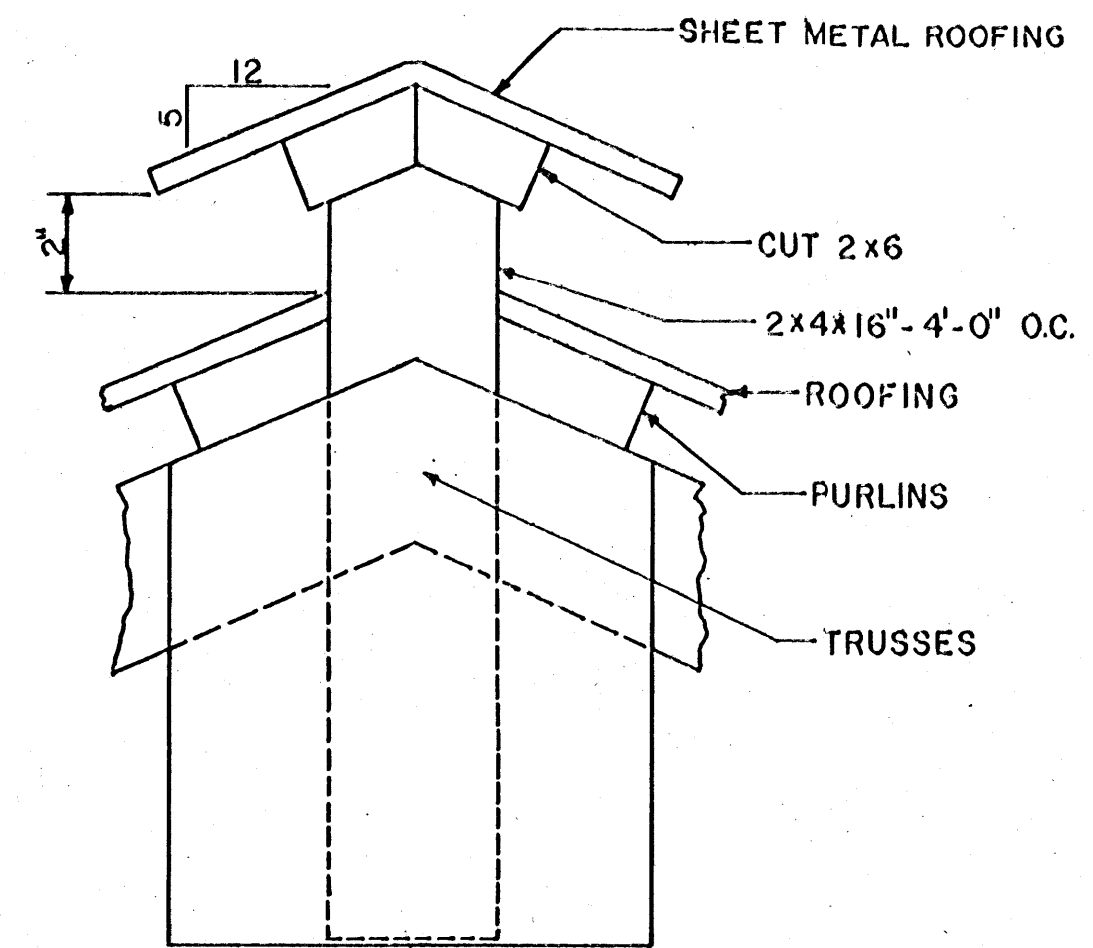
S.C. '82	6360	SHEET 1 OF 2
----------	------	--------------



FLOOR PLAN

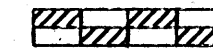


SCALE 1/8" = 1'-0"

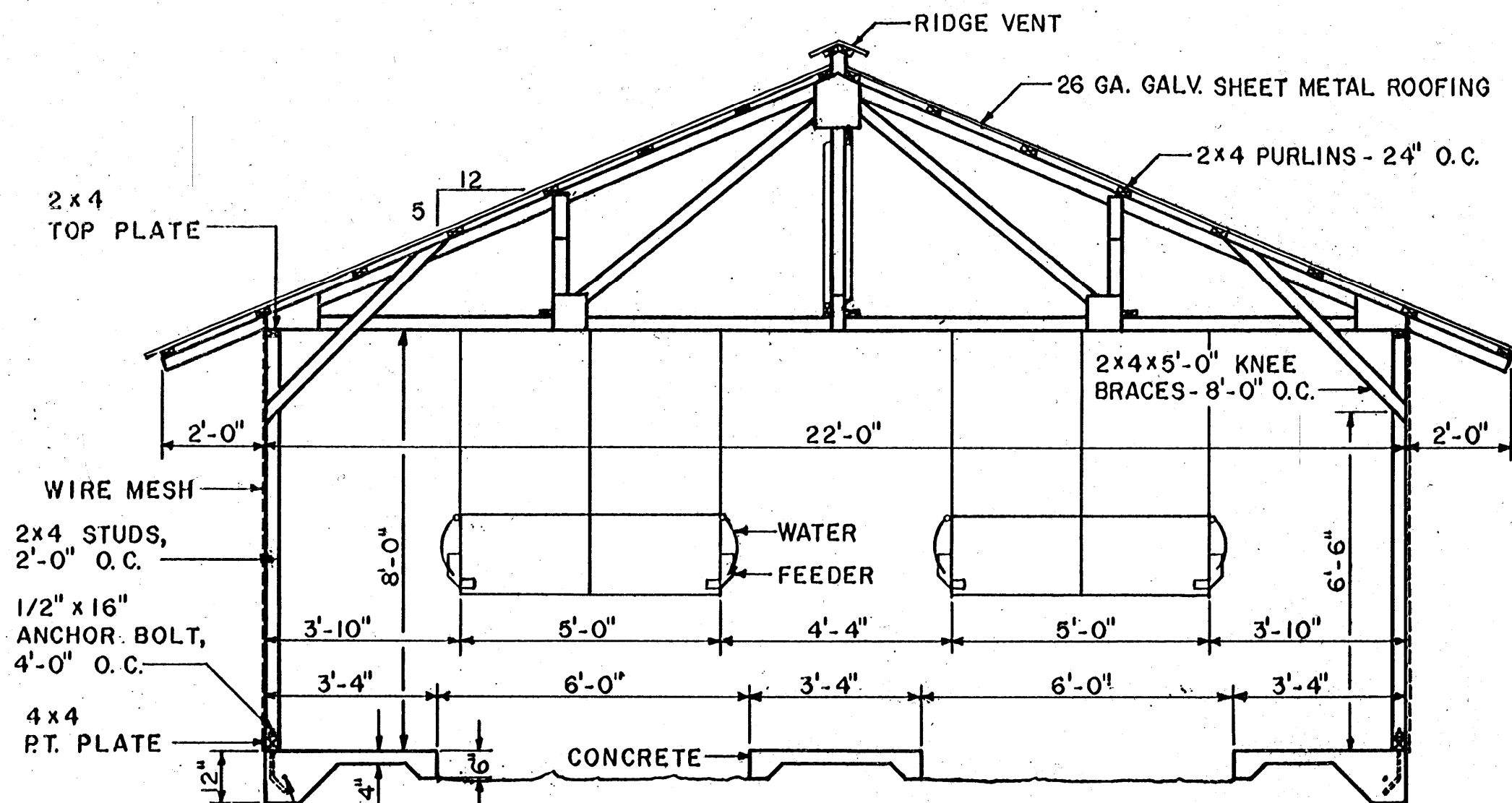


ROOF VENT DETAILS

SCALE 1/4" = 1" 0 1 2 3 4 INCHES



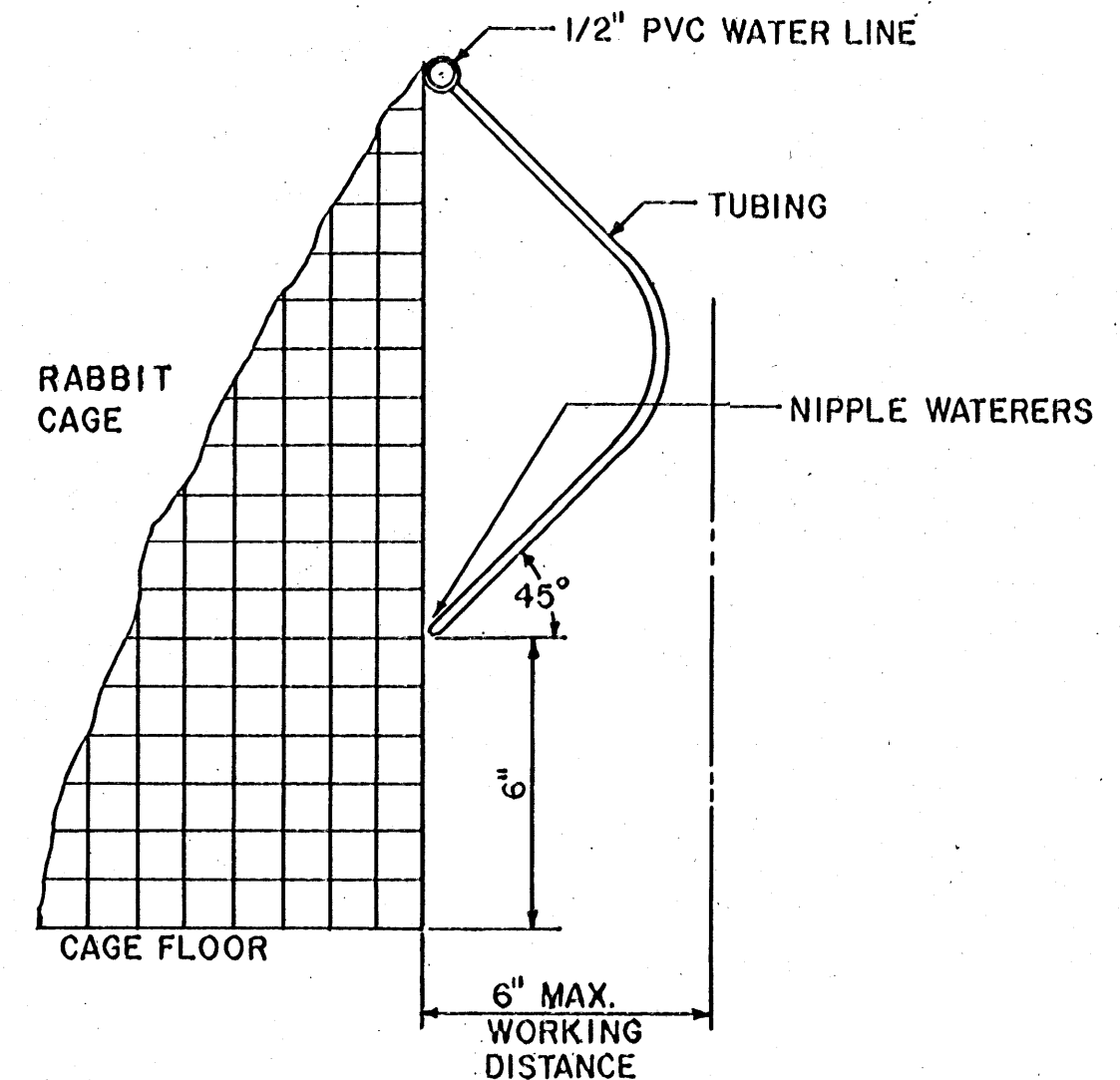
SELECT TRUSSES FOR LOCAL SNOW LOADS
22'-0" TRUSSES - 4'-0" O.C.



CROSS SECTION

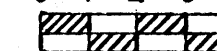


SCALE 3/8" = 1'-0"



WATER LINE TO CAGES - DETAILS

SCALE 1/4" = 1" 0 1 2 3 4 INCHES



COOPERATIVE EXTENSION SERVICE
AGRICULTURE AND HOME ECONOMICS
STATE OF MISSISSIPPI
MISSISSIPPI STATE UNIVERSITY
AND
UNITED STATES DEPARTMENT OF AGRICULTURE COOPERATING

2 MULTI-ROW CAGED RABBIT SHED

S.C. '82	6360	SHEET 2 OF 2
----------	------	--------------